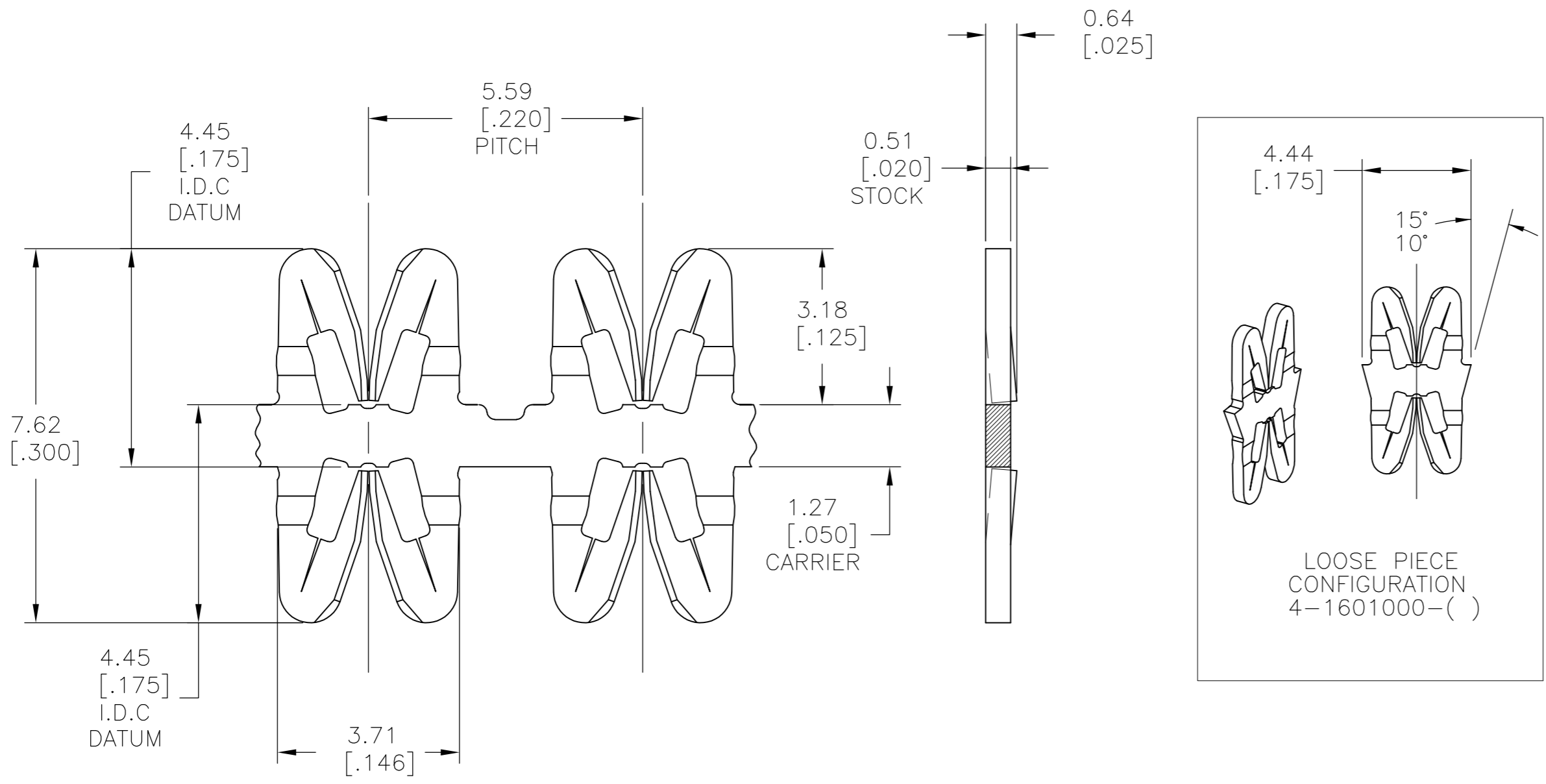
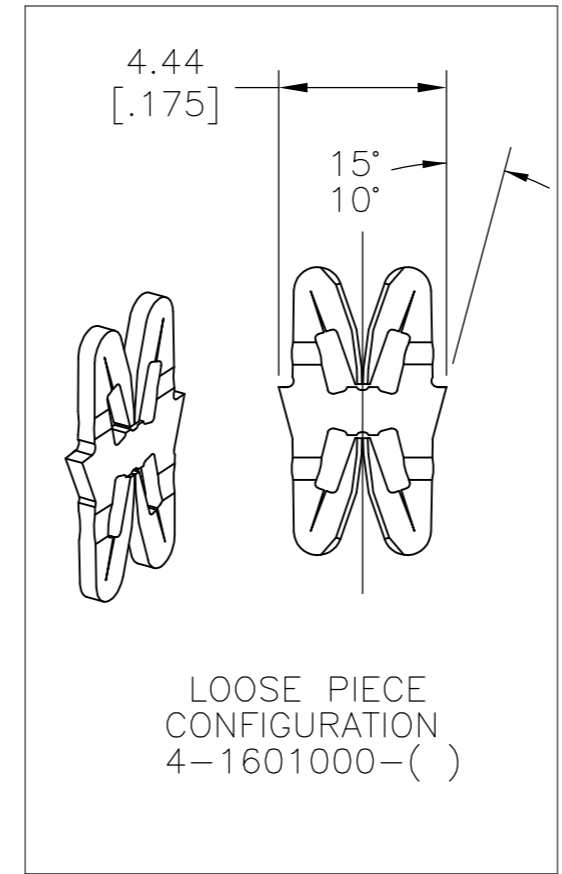


THIS DRAWING IS UNPUBLISHED. RELEASED FOR PUBLICATION
 © COPYRIGHT BY TYCO ELECTRONICS CORPORATION. ALL INTERNATIONAL RIGHTS RESERVED.

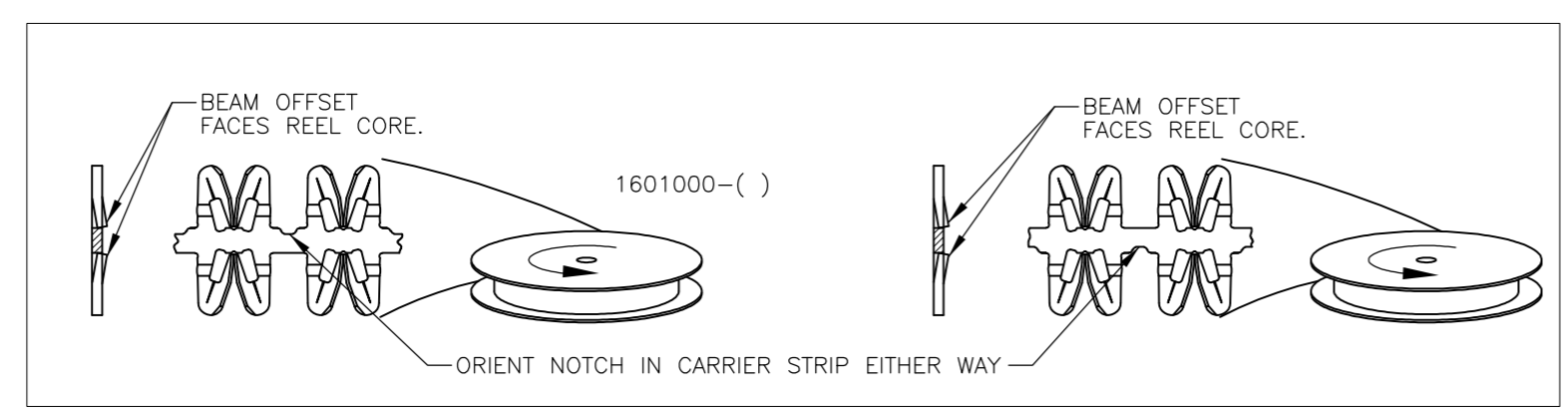
LOC	DIST	REVISIONS			
P	LTR	DESCRIPTION	DATE	DWN	APVD
AF	50	C3	REVISED PER ECR-09-008562	29APR09	HMR GJ



- SPECIFICATIONS:
 MAGNET WIRE #18 - #34 AWG,
 1.02(.040) - 0.16(.006) DIA COPPER.
 LEAD WIRE #18 - #22 AWG,
 0.8(.031)mm² - 0.3(.011)mm² STRANDED,
 BONDED OR SOLID WITH PVC INSULATION
 MAX INSULATION O.D. 2.9(.115)
 NO STRIPPING REQUIRED. OTHER INSULATION TYPES.
 MAY BE ACCOMMODATED, CONSULT
 TYCO ELECTRONICS FOR APPROVAL.
- POCKET RECOMMENDATION: #1601421
 ALTERANTE POCKET : #1601462
- TERMINAL APPLICATION TO COMPLY WITH
 TYCO ELECTRONICS SPECIFICATION 114-13166
 FIGURE 3 OR 4
- REDUCED QUANTITY PACKAGING
- PRELIMINARY - NOT FOR PRODUCTION.



TERMINAL TO UNWIND FROM REELS BY EITHER METHOD SHOWN:



OBSOLETE	UNPLATED	031-501-000	9-1601000-1
OBSOLETE	UNPLATED	231-001-000	6-1601000-1
	POST NICKEL PLATED	-	5-4-1601000-3
	POST TIN PLATE OVER COPPER UNDERPLATE	031-001-001	4-1601000-2
	UNPLATED	031-001-000	4-1601000-1
	POST TIN PLATE OVER COPPER UNDERPLATE	-	4-3-1601000-2
	POST TIN PLATE OVER COPPER UNDERPLATE	131-001-001	1601000-2
	UNPLATED	131-001-000	1601000-1
	FINISH	REFERENCE PART NUMBER	PART NUMBER
THIS DRAWING IS A CONTROLLED DOCUMENT.		DWN J.WELLER 11JAN2002 CHK M.FEHER 11JAN2002 APVD K.RANDOLPH 11JAN2002	Tyco Electronics Corporation Harrisburg, PA 17105-3608
DIMENSIONS: mm [INCHES]	TOLERANCES UNLESS OTHERWISE SPECIFIED: 0 PLC ± - 1 PLC ± 0.25[.010] 2 PLC ± 0.13[.005] 3 PLC ± - 4 PLC ± - ANGLES ± 2°	PRODUCT SPEC 108-2085 APPLICATION SPEC	NAME STANDARD RANGE WIRE TO WIRE SIAMEZE TERMINAL
MATERIAL BRASS, SPRING HARD	FINISH SEE TABLE	WEIGHT -	SIZE A2 CAGE CODE 00779 DRAWING NO C=1601000 RESTRICTED TO -
CUSTOMER DRAWING		SCALE 10:1	SHEET 1 OF 1 REV C3

X-ON Electronics

Largest Supplier of Electrical and Electronic Components

Click to view similar products for [Terminals](#) category:

Click to view products by [TE Connectivity](#) manufacturer:

Other Similar products are found below :

[HT-13-10](#) [71M-250-32-NB](#) [01-2065-1-0216](#) [00581P0075](#) [M10-10RX](#) [M10BCK](#) [60205-1](#) [604200-1](#) [60598-1-CUT-TAPE](#) [60617-1-C](#) [60873-1](#) [M14-516R/SK](#) [M14-6RSX](#) [M18-8FBX](#) [M18-8R/LX](#) [M18BCK](#) [61314-6-C](#) [61-S](#) [61-SN-A](#) [62-NBM-A](#) [63-S](#) [640179-1](#) [640917-2-CUT-TAPE](#) [6501550002](#) [66107-2-C](#) [696683-1](#) [696834-1](#) [696861-1](#) [696931-1](#) [696999-1](#) [M8-516RK](#) [M86700006](#) [MA250DMFMX-A](#) [701-2007](#) [701-2307](#) [701-7761-03](#) [70F-110-32-PB](#) [718-N-A](#) [71M-187-20-NBL](#) [71M-250-32-NBL](#) [72F-187-20-NBL](#) [72M-250-32-NBL](#) [7310](#) [73F-250-32](#) [73F-250-32-NL](#) [F14-10C](#) [F-1M](#) [751-250](#) [76650-5002](#) [76828-149](#)