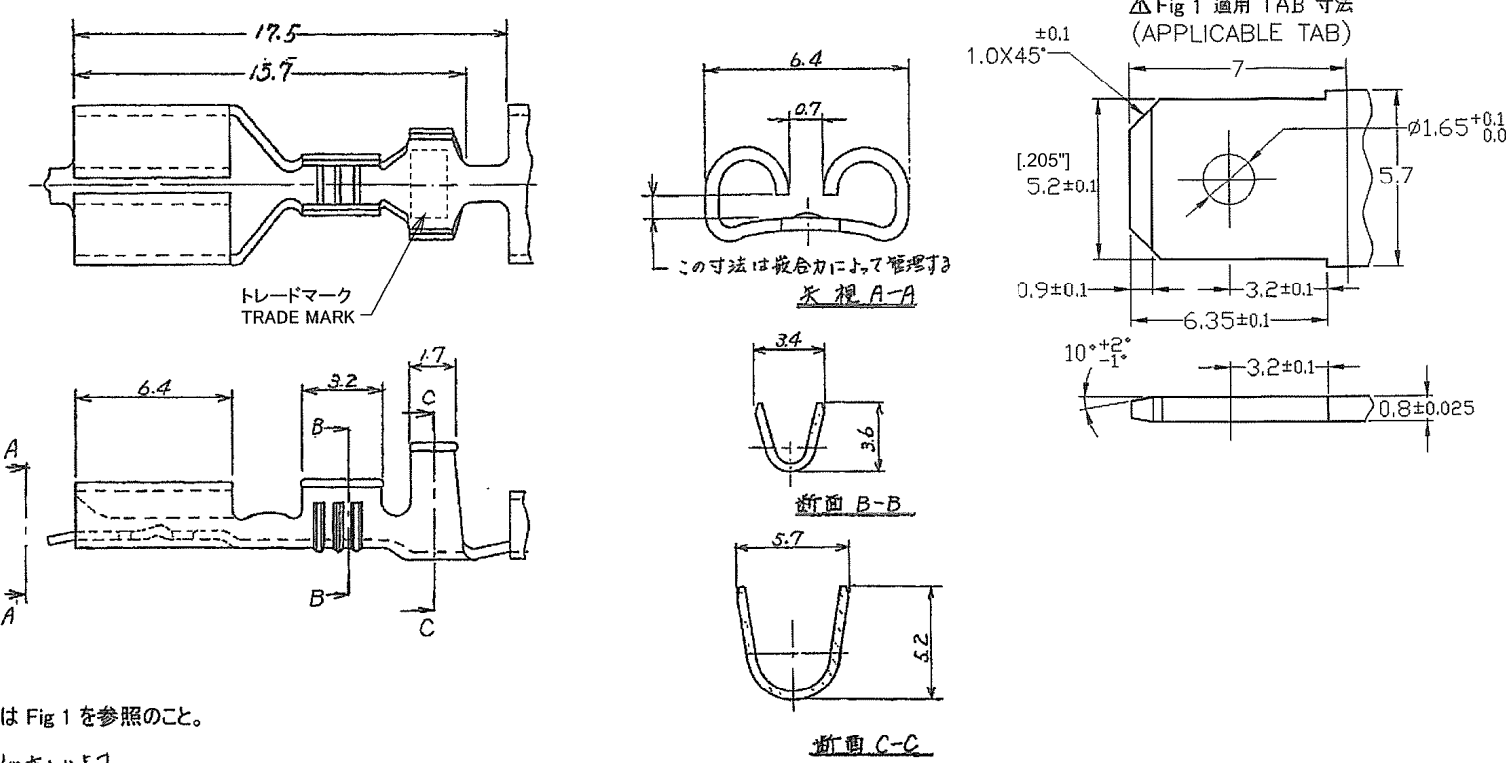


THIS DRAWING IS UNPUBLISHED. RELEASED FOR PUBLICATION .1974.
 © COPYRIGHT BY TYCO ELECTRONICS CORPORATION. ALL RIGHTS RESERVED.

LOC	DIST	REVISIONS					
J	-	P	LTR	DESCRIPTION	DATE	DWN	APVD
		C	REVISED	ECR-07-011381	18MAY'07	J.S	S.M
		C1	REVISED PER	ECR-19-013810	13SEP2019	BDA	DH



注.
 △. 適用 TAB 寸法については Fig 1 を参照のこと。
 △. ストレス除去処理
 処理法により外観が変わります。
 不活性ガス加熱方式.....銀光沢
 大気加熱方式.....光沢

NOTES
 △. FOR APPLICABLE TAB, SEE Fig 1.
 △. STRESS RELIEVING
 FINISH IS SUBJECT TO CHANGE BY THE TYPE OF
 STRESS RELIEVING PROCESS
 INERT GAS FURNACE ----- MATTE
 ATMOSPHERIC FURNACE FOLLOWED BY ACID PICKLE ----- BRIGHT

BRASS	MATTE, TIN-PLATED	170179-2	170180-2	電鍍 0.4t	電気鍍 0.2t	108-5007
BRASS	MATTE OR BRIGHT (TE PLANT CHOICE), UNPLATED	170179-1	170180-1	電鍍 0.4t	---	108-5007
BASE MATERIAL	FINISH	型番	LP型番	材質	仕上	製品規格番号

THIS DRAWING IS A CONTROLLED DOCUMENT FOR AND INCORPORATED IT IS SUBJECT TO CHANGE AND THE CONTROLLING ENGINEERING ORGANIZATION SHOULD BE CONTACTED FOR THE LATEST REVISION.

WIRE RANGE: 0.75~2.27 mm² (AWG #18-14) INSULATION DIA: 3.30~4.60 mm (.130~.180 IN)

DWN: T. Hatano 16 JUL '06
 CHK: M. Sugita 18 JUL '06
 APVD: [Signature] 13 DEC '06

TE Connectivity

PRODUCT SPEC: 表参照 (SEE TABLE)
 APPLICATION SPEC: 取付適用規格

SIZE: A3 CAGE CODE: 00779 DRAWING NO: C-170179 RESTRICTED TO: -

MATERIAL: 表参照 (SEE TABLE) FINISH: 表参照 (SEE TABLE) WEIGHT: -

CUSTOMER DRAWING

SCALE: 尺庫 SHEET: 1 of 1 REV: C1

X-ON Electronics

Largest Supplier of Electrical and Electronic Components

Click to view similar products for [Terminals](#) category:

Click to view products by [TE Connectivity](#) manufacturer:

Other Similar products are found below :

[00-054007-01074-6](#) [00-054007-70206-1](#) [00-054007-70210-8](#) [00-054007-70217-7](#) [00-054007-70226-9](#) [00-054007-70228-3](#) [00-054007-70248-1](#) [00-054007-70256-6](#) [00-054007-70301-3](#) [00-054007-70316-7](#) [0-0320562-0](#) [00-054007-49560-4](#) [00-054007-70209-2](#) [00-054007-70225-2](#) [00-054007-70227-6](#) [00-054007-70231-3](#) [00-054007-70241-2](#) [00-054007-70242-9](#) [00-054007-70244-3](#) [00-054007-70246-7](#) [00-054007-70263-4](#) [00-054007-70288-7](#) [00-054007-70290-0](#) [00-054007-70300-6](#) [00-054007-70304-4](#) [01-2065-1-0216](#) [01-2900-1-04412](#) [00581P0075](#) [600TS-10](#) [60205-1](#) [604200-1](#) [605601-1](#) [60598-1-CUT-TAPE](#) [61314-6-C](#) [61810-3](#) [61-S](#) [61-SN](#) [626-0194](#) [62-NBM-A](#) [62-SN](#) [62-SP](#) [63-S](#) [640179-1](#) [M55155/059I03](#) [M55155/079C01](#) [M55155/099H02](#) [M55155/109H01](#) [M55155/109H02](#) [M55155/12XH05](#) [M55155/16XH02](#)