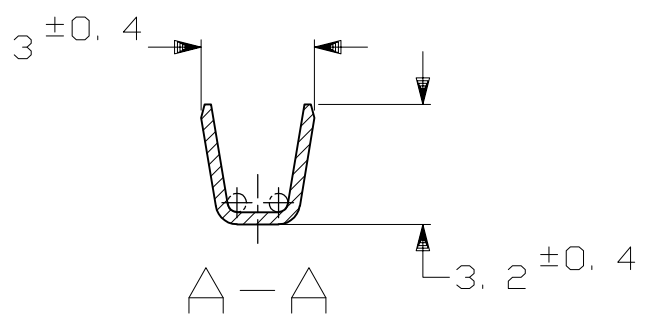
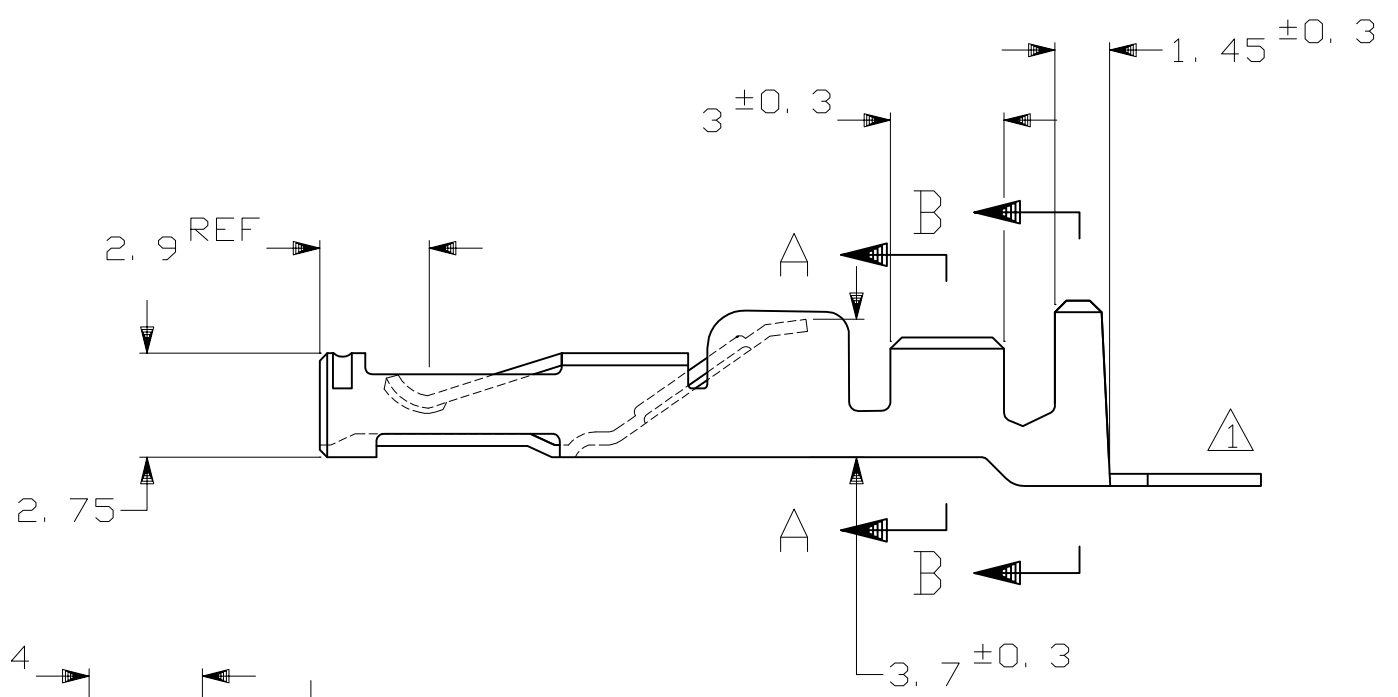
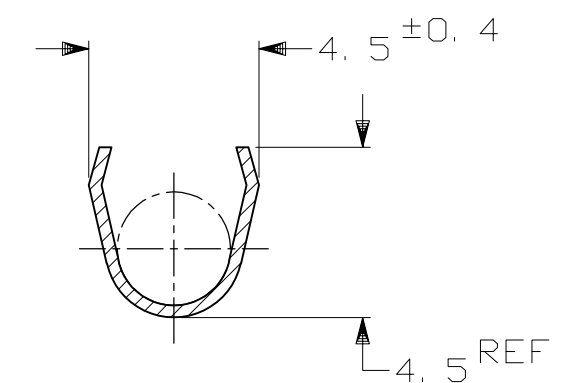
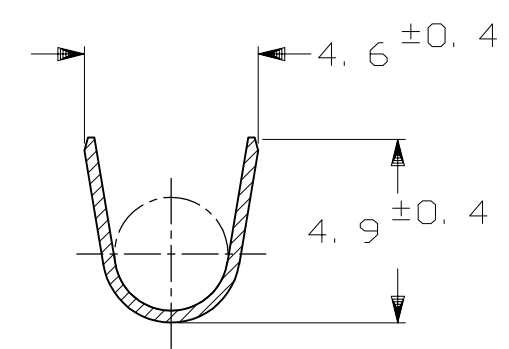
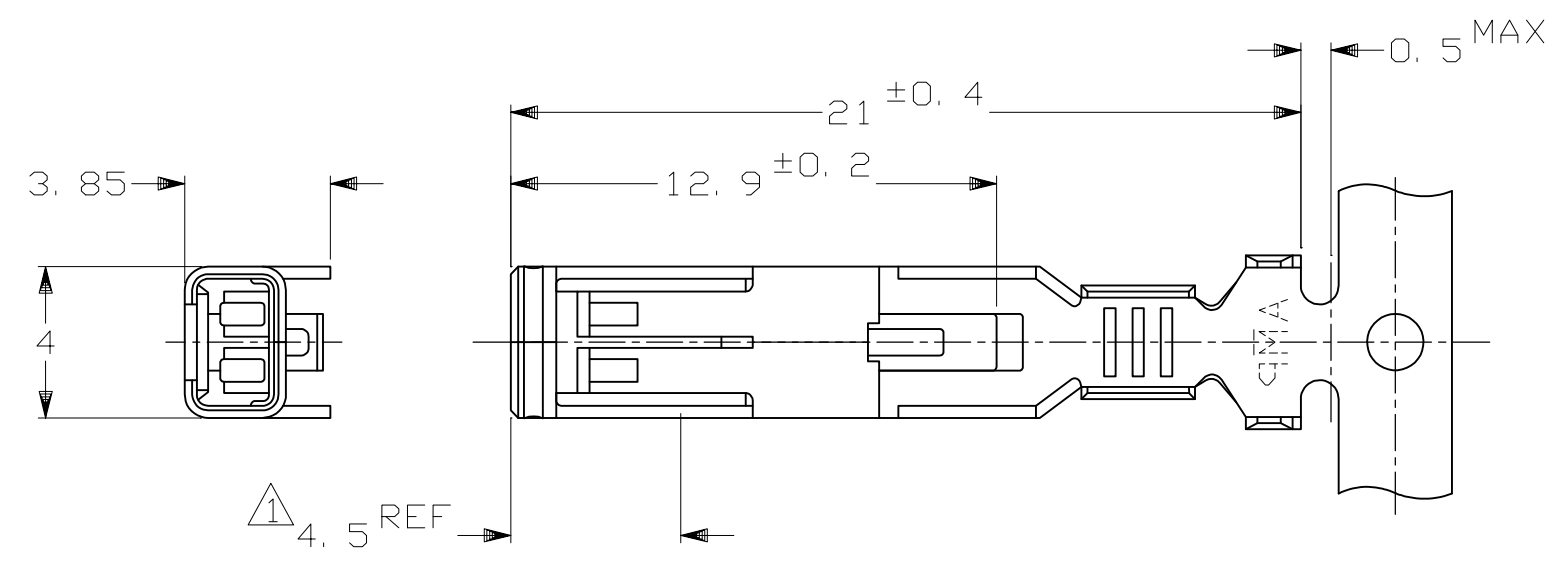


THIS DRAWING IS UNPUBLISHED. RELEASED FOR PUBLICATION
 © COPYRIGHT - By - ALL RIGHTS RESERVED.

LOC	DIST	REVISIONS		
J	-	P	LTR	DESCRIPTION
		E3		REVISED PER ECO-11-005140
				DATE
				28MAR11
				DWN
				RK
				APVD
				HMR



- 1. HOUSING PART NUMBER : 171358, 171892 etc.
 - 2. THE MATING TAB CONTACTS PART NUMBER : 170221, 170308 etc.
 - 3. REVERSE REEL PART NUMBER FOR 170286-1: 1-170286-1
 - 4. DIFFERENT PLATING THICKNESS PRODUCT FROM 170286-2.
- 1. 使用ハウジング型番 : 171358, 171892 他。
 - 2. 嵌合タブコンタクト型番 : 170221, 170308 他。
 - 3. 170286-1の逆巻き型番 : 1-170286-1
 - 4. 170286-2のめっき厚違い品。

170289-3	SELECTIVE GOLD PL	PH BRZ TEMP#4	170286-4 ⁴
170289-2	SELECTIVE GOLD PL	PH BRZ TEMP#4	170286-2
170289-1	PRE-TINNED	PH BRZ TEMP#4	170286-1
LOOSE PIECE No.	FINISH	MATERIAL	PART NUMBER

TOLERANCE UNLESS OTHERWISE SPECIFIED

一般公差	
10 ≥	: ± 0.2
30 ≥ > 10	: ± 0.25
100 ≥ > 30	: ± 0.3
ANGLE	: ± 0.3°

WIRE RANGE

AWG NO.
#20~#14
(0.5~2mm² SQ)

INSUL RANGE

2.2~3.4 DIA

THIS DRAWING IS A CONTROLLED DOCUMENT.

DIMENSIONS: 単位: 耗 mm	TOLERANCES UNLESS OTHERWISE SPECIFIED: 一般公差
MATERIAL 材料	FINISH 仕上
SEE TABLE	SEE TABLE

DWN T.SHINOHARA 19NOV07	STE TE Connectivity	
CHK K.BETSUI 19NOV07		
APVD K.BETSUI 19NOV07	NAME 名称	
PRODUCT SPEC 製品規格 108-5093, 108-5099	MULTI INTER LOCK CONNECTOR RECEPTACLE	
APPLICATION SPEC 取付適用規格 114-5004	SIZE A3	CAGE CODE 00779
WEIGHT 0.6 g	DRAWING NO 番号 C-170286	RESTRICTED TO -
CUSTOMER DRAWING	SCALE 尺度 5:1	SHEET 1 OF 1
		REV E3

X-ON Electronics

Largest Supplier of Electrical and Electronic Components

Click to view similar products for [Automotive Connectors](#) category:

Click to view products by [TE Connectivity](#) manufacturer:

Other Similar products are found below :

[003-018-000](#) [600858](#) [60403001](#) [60993906-B](#) [60993913-B](#) [629515004020001](#) [M83723/71R1808N L/C](#) [M902-2131](#) [M902-2161](#) [M902-2344](#)
[72.330.1035.1](#) [73.353.4028.0](#) [F118010](#) [F119300-B](#) [F132210](#) [F166900](#) [F180100](#) [F258300](#) [F258300-B](#) [F294300-B](#) [F339100](#) [F339700](#)
[F358300-B](#) [F374110](#) [F407400](#) [F412210](#) [F444110](#) [F487000](#) [F495100](#) [F500900-B](#) [F509500B-B](#) [770444-1](#) [827153-1](#) [881735-1](#)
[8N1515-32-24P](#) [9-1326729-8](#) [925467-1](#) [925474-1](#) [928905-1](#) [936398-2](#) [964562-4](#) [964731-2](#) [968782-1](#) [GT17SA-8DS-HU](#) [GT17VS-10DP-](#)
[5.2CF](#) [98315-0001](#) [98315-0010](#) [98891-1012](#) [98895-2014](#) [98936-1039](#)