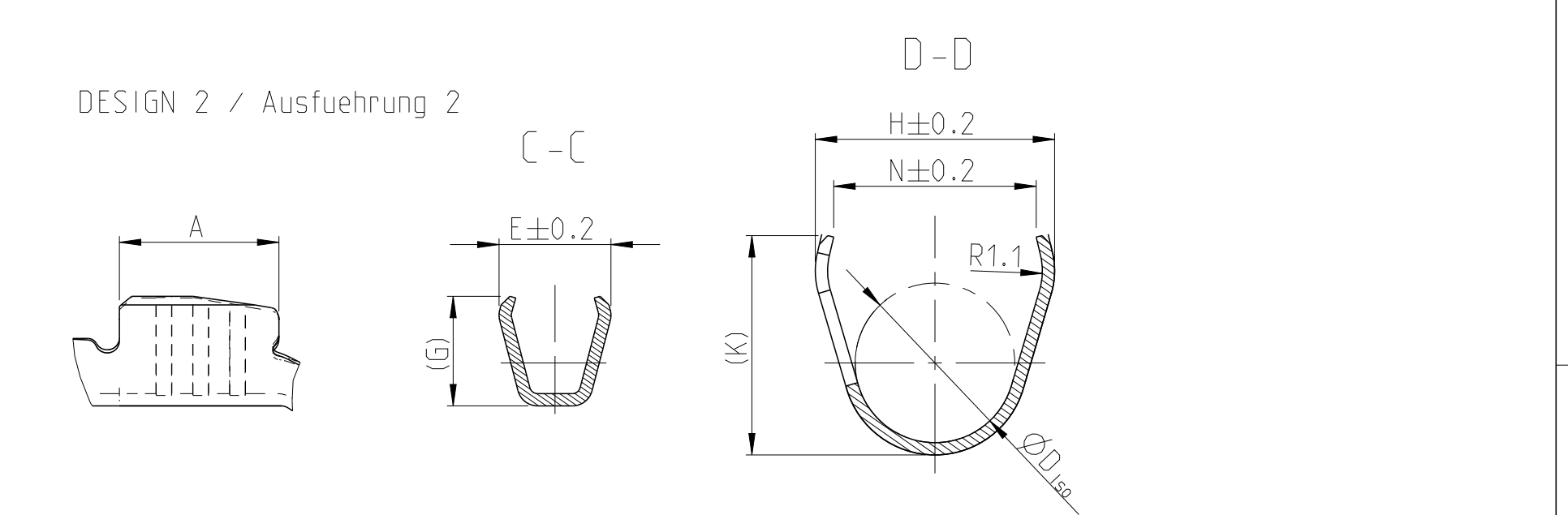
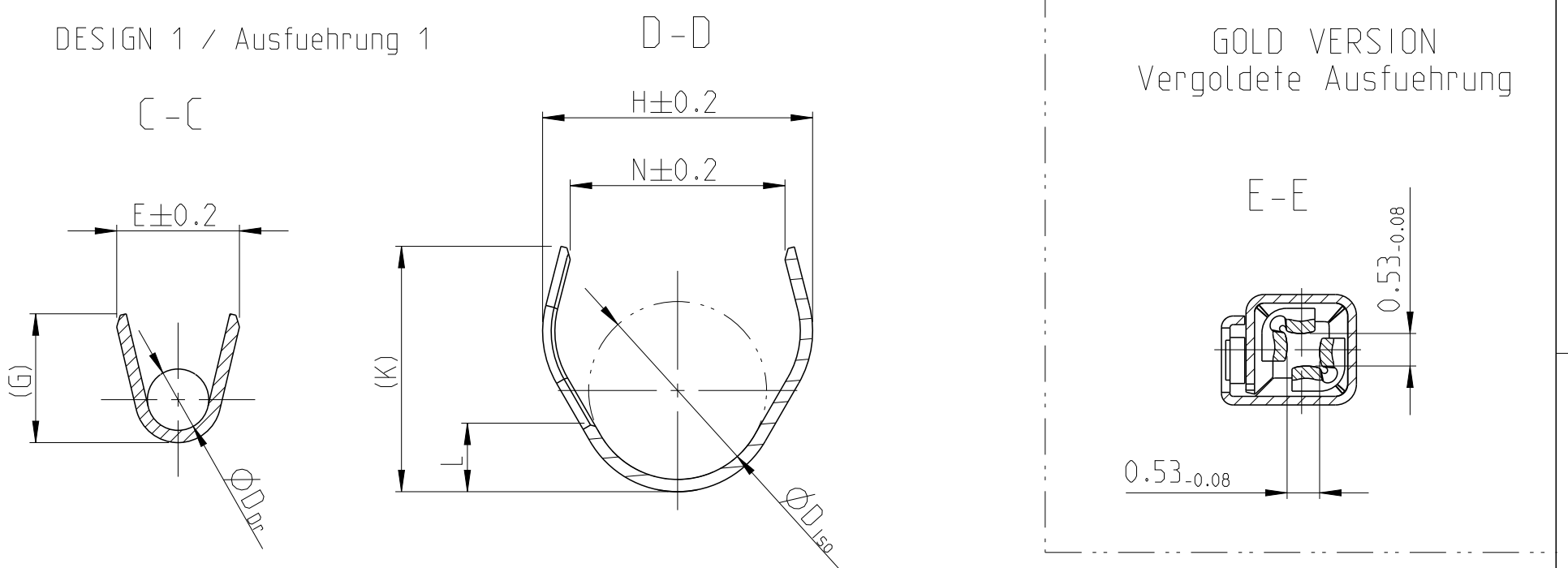
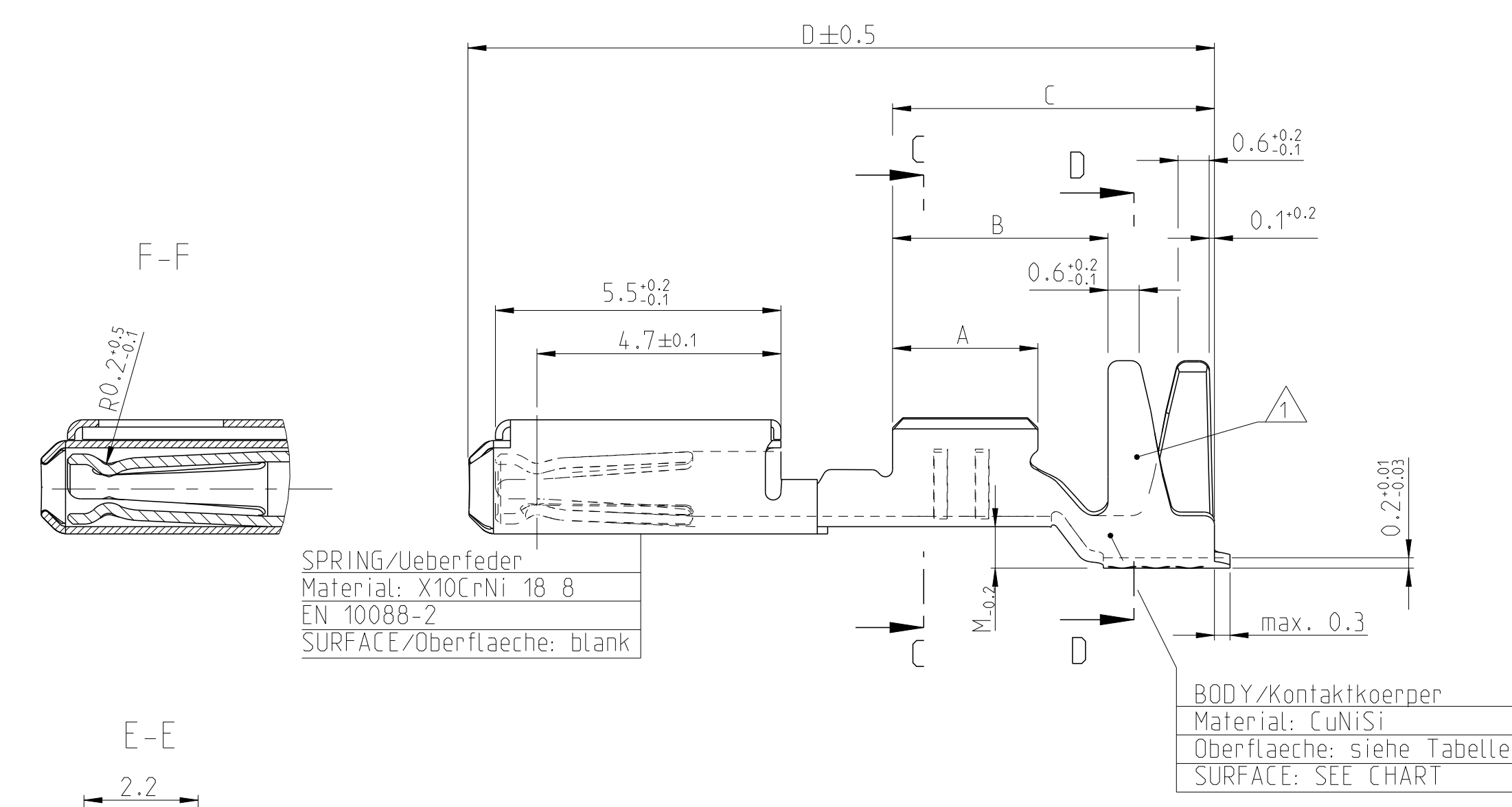


THIS DRAWING IS UNPUBLISHED. RELEASED FOR PUBLICATION 2009  
 © COPYRIGHT 2009 TE Connectivity ALL RIGHTS RESERVED.

LOC		DIST		REVISIONS			
P	LTR	DESCRIPTION	DATE	DWN	APVD		
A1	-						
A2		LP variants removed. ECR-13-015135	30SEP2013	Abr	Brun		
A3		Design 2 and PN 2288140 added. ECR-14-018067	20NOV2014	Bren	Brun		
A4		Dimension of ISO-Crimp changed. ECR-17-006253	02MAY2017	HO.	BRUN		
A5		WIRE SIZE RANGE 0.22 added. PCN E-17-016682	13NOV2017	MAH.	BRUN		

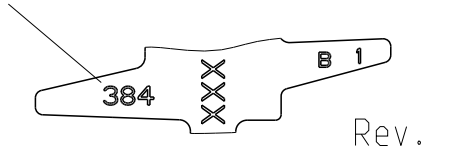


**NOTES**  
 Bemerkungen

1 DATE-CODE (WEEK/YEAR (E.G. WEEK NUMBER 38/ YEAR 2004) AND TE REVISION (E.G. REV. B)  
 Datumscode (Woche / Jahr, z.B. KW 38/ Jahr 2004) und TE-Revision (z.B. Rev.B)

2 SUITABLE FOR PIN CONTACT SEE DRAWING: TE: 929453  
 Passend zu Stiftkontakt siehe Zeichnung: TE: 929453

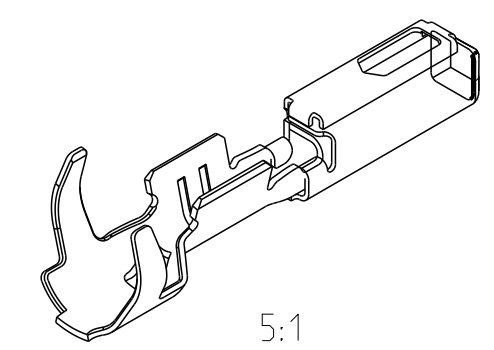
3 DETAILS OF DESIGN ARE LEFT TO MANUFACTURER  
 Einzelheiten der Ausfuehrung bleiben dem Hersteller ueberlassen



A5

Order No.	Design	Rev	DGB Wire Size Range	Surface	Length	Wire Crimp	Insulation	Wire Seal	Material	Color	Blind Plug
2288140-1	A		0.22-0.35	Sn	A = 2.6 B = 4.2 C = 6.2 D = 14.2 M = 0.8	E = 1.8 G = 1.8	H = 3.9 K = 3.58 N = 3.3 D <sub>Iso</sub> = 2.6	0.22-0.35	0.9-1.4	967067-2 gelb YELLOW	963142-2 grau GREY
1703032-5	A		0.5-0.75	Au	A = 2.8 B = 4.2 C = 6.2 D = 14.2 M = 0.8	E = 2 G = 2.1 D <sub>Dr</sub> = 1	H = 4.4 K = 4 L = 1.5 N = 3.5 D <sub>Iso</sub> = 2.9	0.5-0.75	1.4-1.9	967067-1 gruen GREEN	967056-1 blau / BLUE
1703032-1	A	Sn		963142-1 schwarz BLACK	967056-1 blau / BLUE						

zugehoerige Einzeldichtung / SUITABLE SINGLE WIRE SEAL



THIS DRAWING IS A CONTROLLED DOCUMENT.

DIMENSIONS: mm

TOLERANCES UNLESS OTHERWISE SPECIFIED:  
 ±0.2  
 ±°

MATERIAL: -

FINISH: -

Customer Drawing

01JUN2004  
 02JUN2004  
 27SEP2004

Abraham.G.  
 Kampmann.H.  
 Bleicher.M.

NAME: MQS  
 SOCKET CONTACT CLEANBODY SWS  
 Tabellenzeichnung Buchsenkontakt

108-18030  
 114-18025

SIZE: A2  
 CAGE CODE: 00779  
 DRAWING NO: C-1703040

RESTRICTED TO: -

SCALE: 10:1  
 SHEET: 1 of 1  
 REV: A5

## X-ON Electronics

Largest Supplier of Electrical and Electronic Components

*Click to view similar products for [Automotive Connectors](#) category:*

*Click to view products by [TE Connectivity](#) manufacturer:*

Other Similar products are found below :

[003-018-000](#) [60403001](#) [60993906-B](#) [M902-2131](#) [M902-2161](#) [M902-2344](#) [72.330.1035.1](#) [73.353.4028.0](#) [F119300-B](#) [F166900](#) [F258300-B](#)  
[F358300-B](#) [F407400](#) [F444110](#) [F487000](#) [F509500B-B](#) [827153-1](#) [8N1515-32-24P](#) [9-1326729-8](#) [925474-1](#) [928905-1](#) [964562-4](#) [968782-1](#)  
[GT17SA-8DS-HU](#) [98891-1012](#) [98947-1016](#) [12004147](#) [12004475-L](#) [12010290](#) [12010309-B](#) [12015454](#) [12020219-B](#) [12041318-B](#) [12052225-](#)  
[L](#) [12052466](#) [12064869](#) [12004327-B](#) [12015308](#) [12015384](#) [12015909](#) [1-21030-1](#) [12041254](#) [12041318](#) [12047946-B](#) [12047957](#) [12047957-L](#)  
[12059473](#) [12066261](#) [12110546](#) [12110546-B](#)