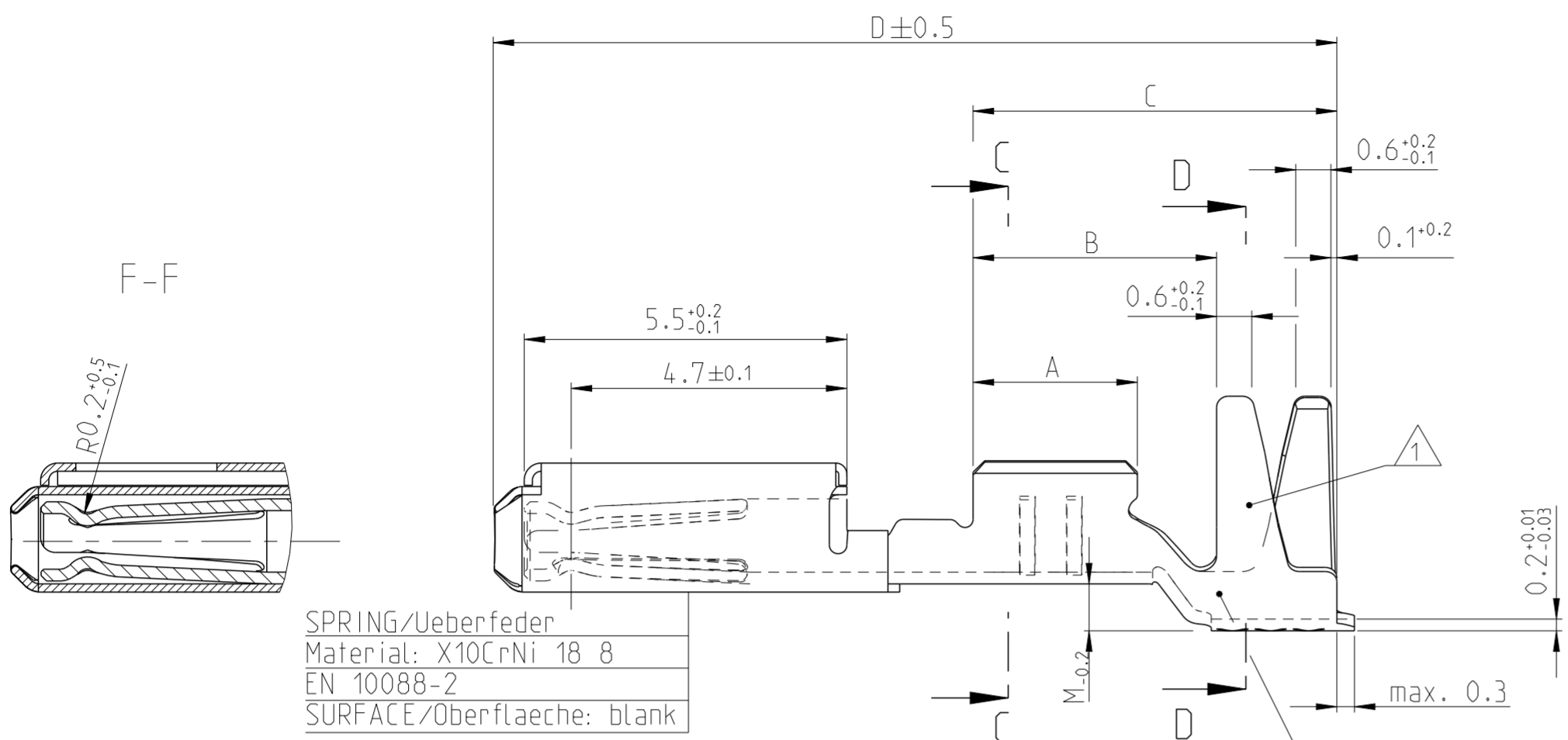
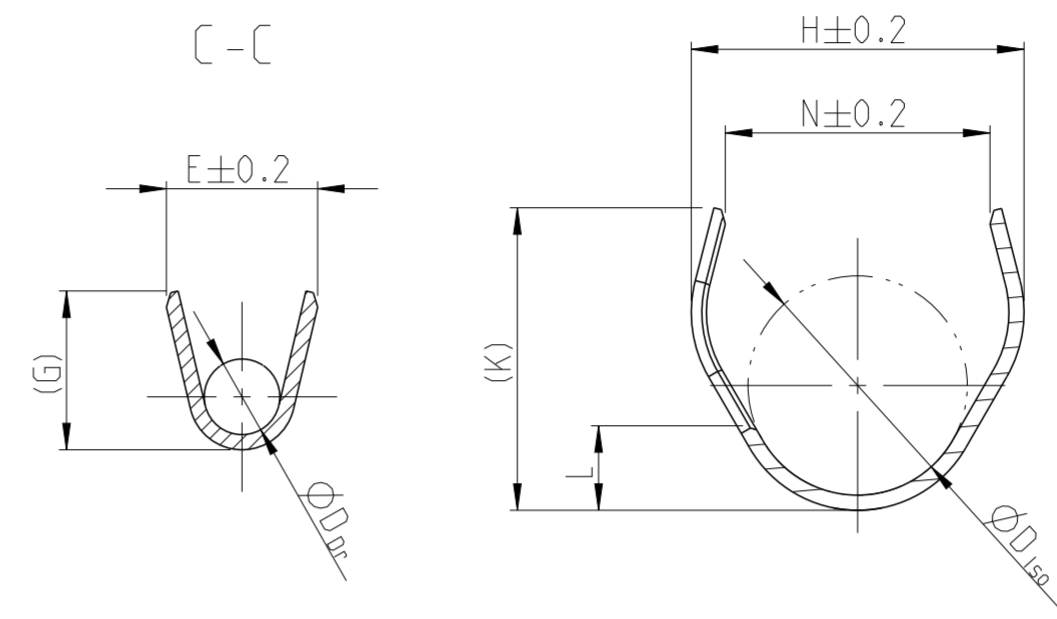


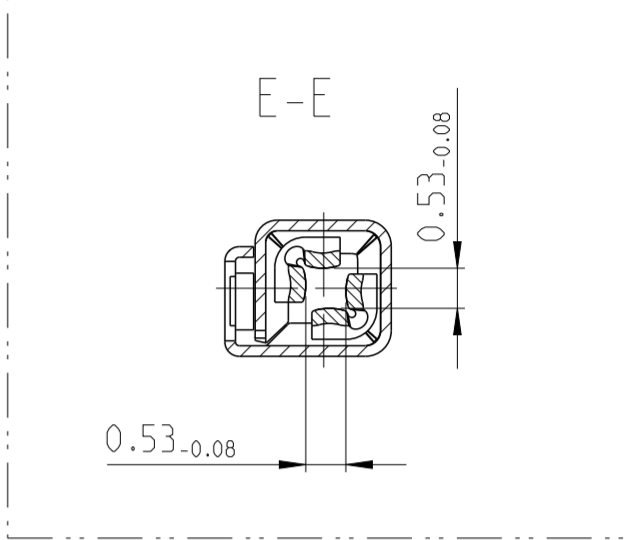
LOC		DIST		REVISIONS			
P	LTR	DESCRIPTION	DATE	DWN	APVD		
A1	-						
A2		LP variants removed. ECR-13-015135	30SEP2013	Abr	Brun		
A3		Design 2 and PN 2288140 added. ECR-14-018067	20NOV2014	Bren	Brun		
A4		Dimension of ISO-Crimp changed. ECR-17-006253	02MAY2017	HO.	BRUN		
A5		WIRE SIZE RANGE 0.22 added. PCN E-17-016682	13NOV2017	MAH.	BRUN		



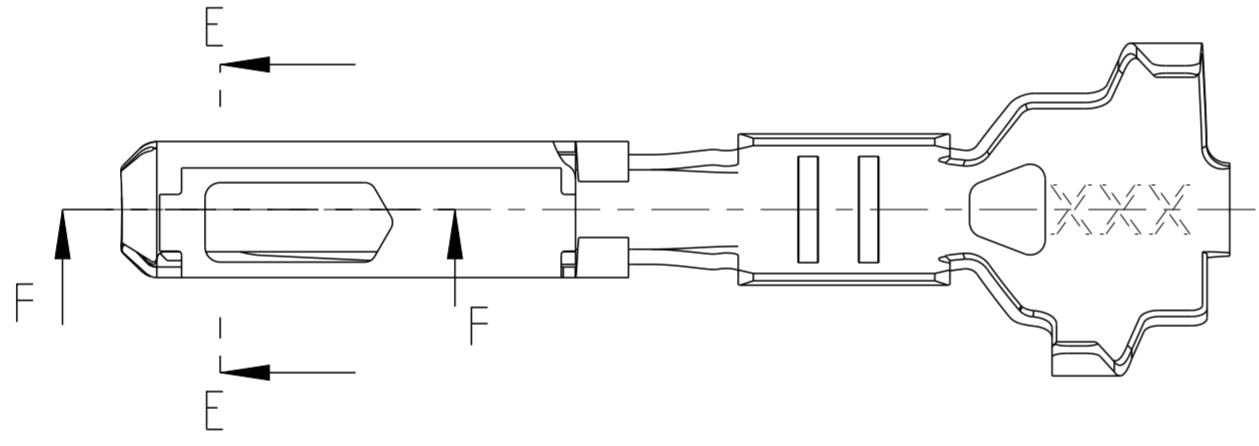
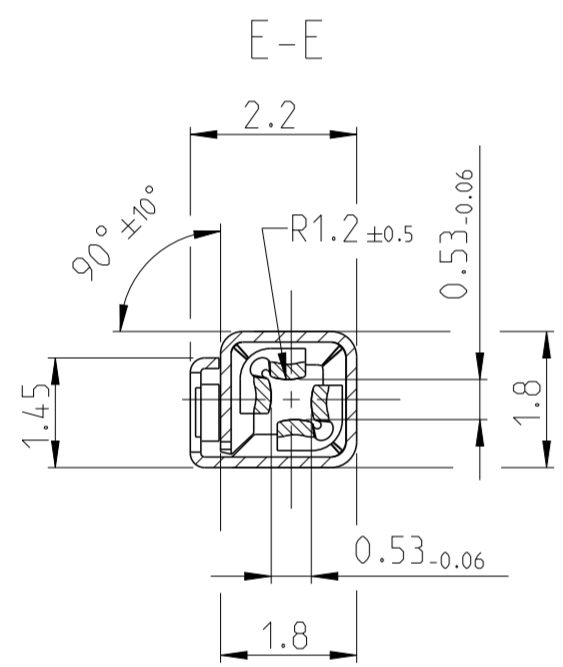
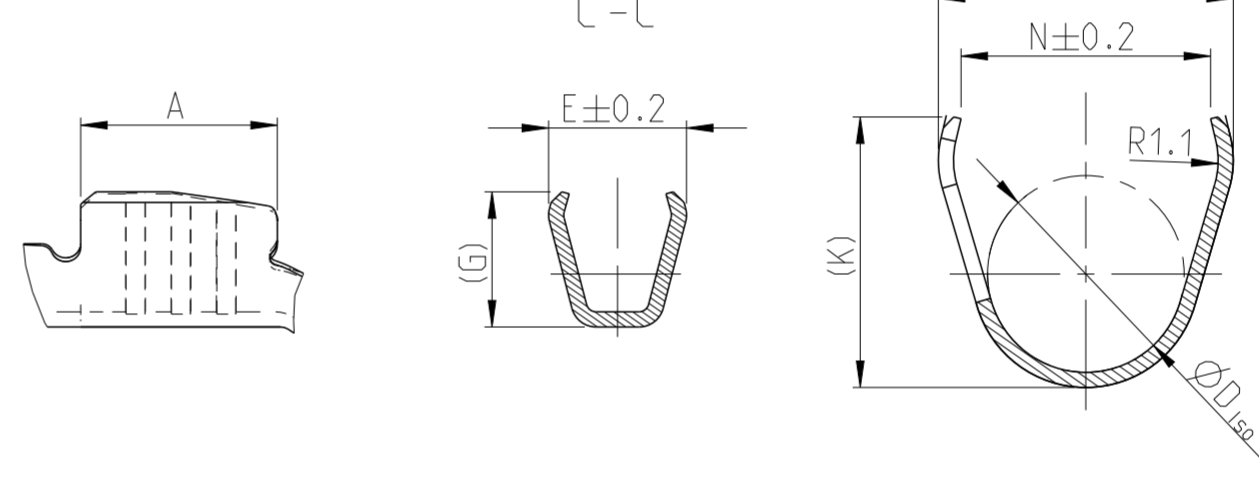
DESIGN 1 / Ausfuehrung 1



GOLD VERSION  
Vergoldete Ausfuehrung

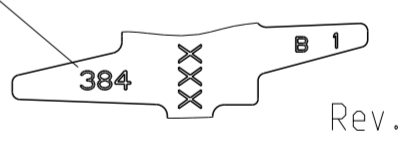


DESIGN 2 / Ausfuehrung 2



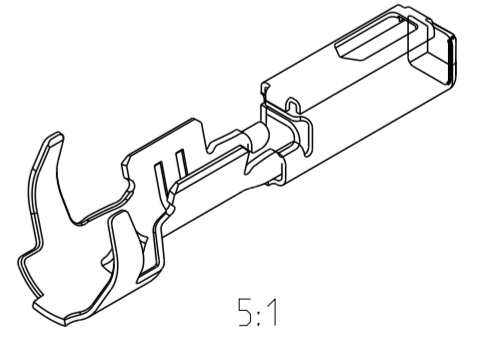
NOTES  
Bemerkungen

- DATE-CODE (WEEK/YEAR (E.G. WEEK NUMBER 38/ YEAR 2004) AND TE REVISION (E.G. REV. B)  
Datumscode (Woche / Jahr, z.B. KW 38/ Jahr 2004) und TE-Revision (z.B. Rev.B)
- SUITABLE FOR PIN CONTACT SEE DRAWING: TE: 929453  
Passend zu Stiftkontakt siehe Zeichnung: TE: 929453
- DETAILS OF DESIGN ARE LEFT TO MANUFACTURER  
Einzelheiten der Ausfuehrung bleiben dem Hersteller ueberlassen



A5

Bestell-Nr. ORDER NO. DESIGN 1	Bestell-Nr. ORDER NO. DESIGN 2	Rev	DGB Wire Size mm <sup>2</sup>	Oberflaeche SURFACE	Laenge LENGTH mm	Drahtcrimp WIRE CRIMP mm	Iso-crimp INSU-CRIMP mm	DGB Wire Size Range mm <sup>2</sup>	Isolations INSULATION DIA. mm	fuer Kammer Ø3.45 FOR CAVITY DIA. 3.45 mm	Blindstopfen RUBBER PLUG	fuer Kammer Ø4 FOR CAVITY DIA. 4 mm	Blindstopfen RUBBER PLUG
2288140-1		A	0.22-0.35	Sn	A = 2.6 B = 4.2 C = 6.2 D = 14.2 M = 0.8	E = 1.8 G = 1.8	H = 3.9 K = 3.58 N = 3.3 D <sub>Iso</sub> = 2.6	0.22-0.35	0.9-1.4	967067-2 gelb YELLOW	967056-1 blau / BLUE	963142-2 grau GREY	967056-1 blau / BLUE
1703032-5		A	0.5-0.75	Au	A = 2.8 B = 4.2 C = 6.2 D = 14.2 M = 0.8	E = 2 G = 2.1 D <sub>Dr</sub> = 1	H = 4.4 K = 4 L = 1.5 N = 3.5 D <sub>Iso</sub> = 2.9	0.5-0.75	1.4-1.9	967067-1 gruen GREEN	967056-1 blau / BLUE	963142-1 schwarz BLACK	967056-1 blau / BLUE
1703032-1		A		Sn									



THIS DRAWING IS A CONTROLLED DOCUMENT.

DIMENSIONS: mm

TOLERANCES UNLESS OTHERWISE SPECIFIED:  
 ±0.2  
 ±°

MATERIAL: -

FINISH: -

DWN: Abraham.G. 01JUN2004  
 CHK: Kampmann.H. 02JUN2004  
 APVD: Bleicher.M. 27SEP2004

NAME: MQS  
 SOCKET CONTACT CLEANBODY SWS  
 Tabellenzeichnung Buchsenkontakt

APPLICATION SPEC: 108-18030  
 114-18025

WEIGHT: 0.13 g

Customer Drawing

SCALE 10:1 SHEET 1 OF 1 REV A5

## X-ON Electronics

Largest Supplier of Electrical and Electronic Components

*Click to view similar products for [Automotive Connectors](#) category:*

*Click to view products by [TE Connectivity](#) manufacturer:*

Other Similar products are found below :

[003-018-000](#) [60403001](#) [60993906-B](#) [M902-2131](#) [M902-2161](#) [72.330.1035.1](#) [73.353.4028.0](#) [F119300-B](#) [F166900](#) [F258300-B](#) [F358300-B](#)  
[F407400](#) [F444110](#) [F487000](#) [F509500B-B](#) [827153-1](#) [8N1515-32-24P](#) [9-1326729-8](#) [925474-1](#) [928905-1](#) [964562-4](#) [968782-1](#) [GT17SA-8DS-](#)  
[HU](#) [98891-1012](#) [98947-1016](#) [12004147](#) [12004475-L](#) [12010290](#) [12010309-B](#) [12015454](#) [12020219-B](#) [12020308](#) [12041318-B](#) [12052225-L](#)  
[12052466](#) [12059125](#) [12064869](#) [12004327-B](#) [12010503-B](#) [12015308](#) [12015384](#) [12015909](#) [1-21030-1](#) [12041254](#) [12041318](#) [12047946-B](#)  
[12047957](#) [12047957-L](#) [12059473](#) [12066261](#)