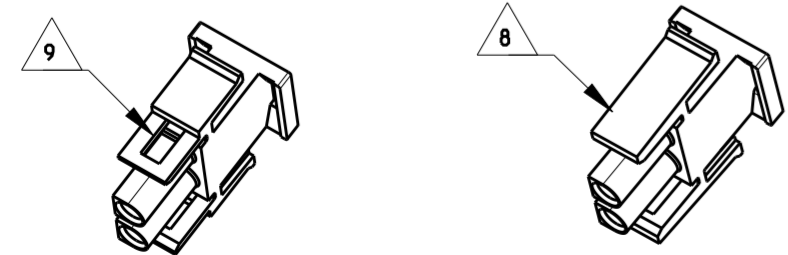
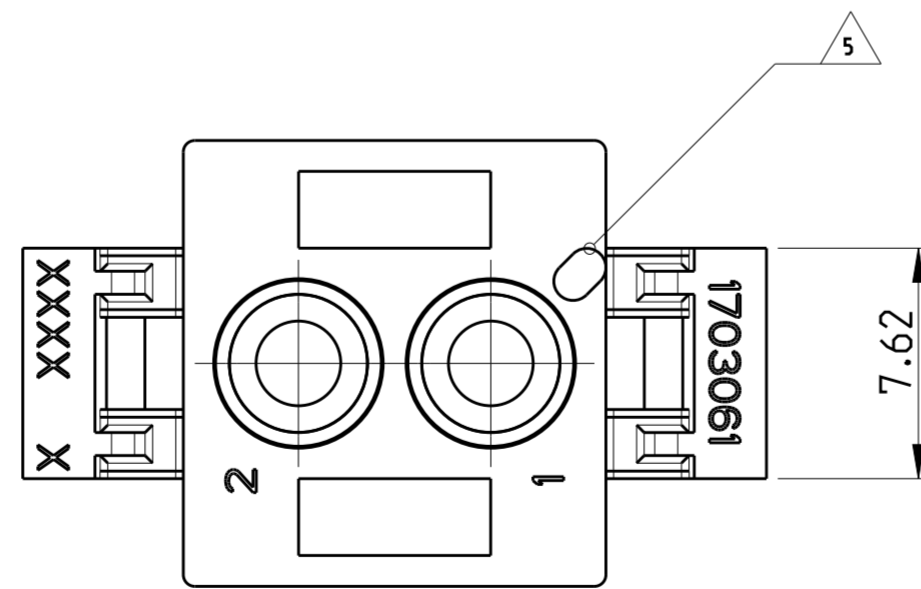
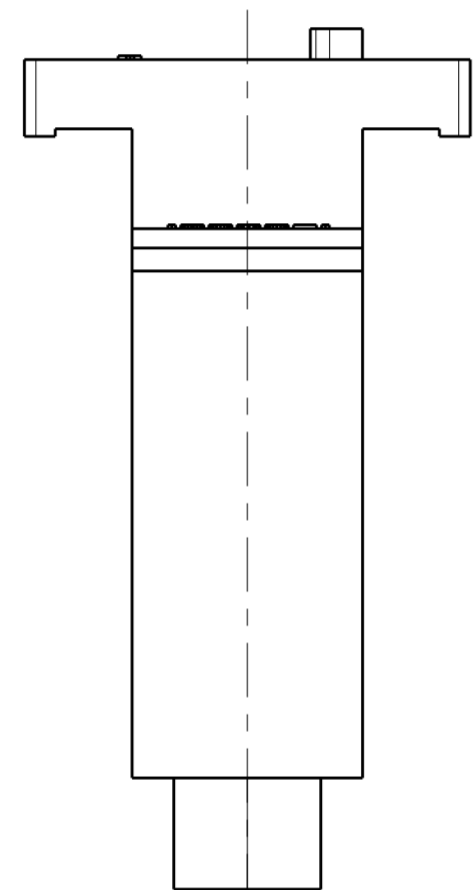
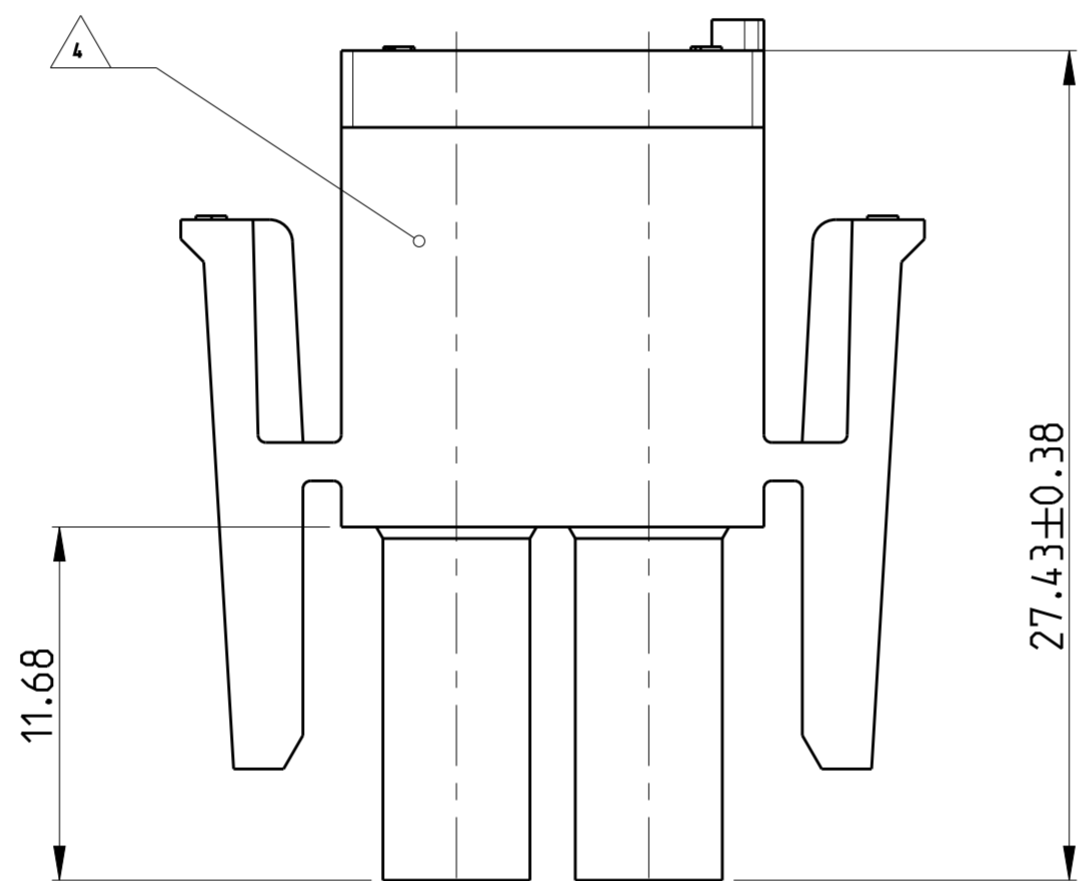
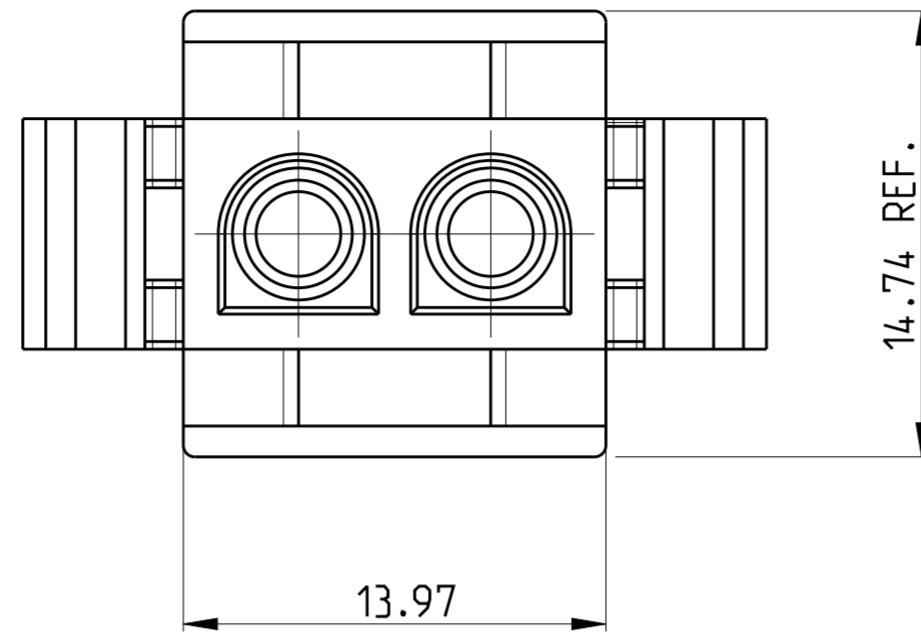


THIS DRAWING IS UNPUBLISHED. RELEASED FOR PUBLICATION 2003
 © COPYRIGHT 2003 BY - ALL RIGHTS RESERVED.

LOC		DIST		REVISIONS			
P	LTR	DESCRIPTION		DATE	DWN	APVD	
A1	2	B6	REVISED PER ECR-17-014951		16OCT2017	BDA	KR



1-1703061-3

- 1 MATES WITH APPROPRIATE UNIVERSAL MATE-N-LOK CAP OR HEADER
 - 2 SMALL NICKS ARE PERMITTED ON THE CIRCUIT TOWERS WHICH COULD INCREASE THE INITIAL HOUSING MATING FORCE BY UP TO 4.4 NEWTONS. NO INDIVIDUAL NICKED TOWER SHALL INCREASE THIS FORCE BY OVER 5.5 NEWTONS.
 - 3 DIMENSIONS SHOWN REPRESENT PRODUCT IN DRY, AS MOLDED, CONDITION. ADDITIONAL 2% GROWTH DUE TO SUBSEQUENT MOISTURE ABSORPTION MAY OCCUR AND SHOULD BE ACCOUNTED FOR.
- △ 4 UNDERWRITERS RECOGNIZED COMPONENT LOGO AND CSA CERTIFICATION LOGO TO BE LOCATED ONCE ON ANY SIDE OF HOUSING
 - △ 5 POSITION #1 LOCATOR FEATURE MAY BE ROUND OR OBLONG (AS DEPICTED)
 - △ 6 MATERIAL CORRESPONDING TO THE REQUIREMENTS OF IEC 60335 (INCL. GLOW WIRE TEST 750 ° C. WITHOUT FLAME)
 - △ 7 PRELIMINARY PART NOT RELEASED FOR PRODUCTION
 - △ 8 NO LATCH WINDOW PRESENT.
 - △ 9 LATCH WINDOW PRESENT.

REMARK	PN	REV	MATERIAL	COLOUR
△ 6 △ 9	1-1703061-3	1	PA66 UL94 V0 GWT 750 °C	NATURAL
△ 6 △ 8	1-1703061-2	A	PA66 UL94 V0 GWT 750 °C	NATURAL
△ 7 △ 8	1-1703061-1	1	PA6 UL94 V0	NATURAL
△ 6 △ 8	1703061-4	A	PA6 UL94 V2 GWT 750 °C	BLACK
△ 6 △ 8	1703061-3	A	PA6 UL94 V2 GWT 750 °C	RED
△ 6 △ 8	1703061-2	A	PA6 UL94 V2 GWT 750 °C	BLUE
△ 6 △ 8	1703061-1	A	PA6 UL94 V2 GWT 750 °C	NATURAL

THIS DRAWING IS A CONTROLLED DOCUMENT. DWN MAHNKE, B. 17OCT2008
 CHK ZITZ, A. 26APR2004
 APVD BLEICHER, M. 27APR2004

STE TE Connectivity

NAME: PLUG, 2 CIRCUIT, UNIVERSAL MATE-N-LOK

SIZE: 108-1031 CAGE CODE: A200779 DRAWING NO: C-1703061 RESTRICTED TO: -

WEIGHT: 2.422 g SCALE: 4:1 SHEET 1 OF 1 REV: B6

MATERIAL: SEE TABLE TOLERANCES UNLESS OTHERWISE SPECIFIED: 0 PLC ±, 1 PLC ±, 2 PLC ±0.13, 3 PLC ±, 4 PLC ±, ANGLES ±0°30', FINISH

CUSTOMER DRAWING

X-ON Electronics

Largest Supplier of Electrical and Electronic Components

Click to view similar products for [Pin & Socket Connectors](#) category:

Click to view products by [TE Connectivity](#) manufacturer:

Other Similar products are found below :

[6450822-1](#) [770392-1](#) [794042-1](#) [796885-1](#) [8-794535-1](#) [PLR3455ACS-222](#) [R929991004](#) [R929993003](#) [1403611-1](#) [1-480349-5](#) [152302-5](#)
[153211-2](#) [1586092-1](#) [1586129-1](#) [1586681-4](#) [1586700-1](#) [1586368-1](#) [1586380-1](#) [1586616-1](#) [1586680-5](#) [16-06-0038](#) [164164-5](#) [1-6609930-1](#)
[172296-1](#) [19-09-2035](#) [200503-1](#) [200788-2](#) [2029090-4](#) [2029095-4](#) [925061-7](#) [293734-4](#) [293737-2](#) [1-765362-4](#) [1871534-1](#) [200833-4](#)
[2008625-2](#) [2029027-2](#) [2029096-4](#) [R929991000](#) [R929991002](#) [R929993000](#) [319-10-101-00-005000](#) [319-10-102-00-001000](#) [319-10-104-00-001000](#) [319-10-105-00-001000](#) [319-10-108-00-001000](#) [319-10-112-00-006000](#) [39-01-8019](#) [319-10-101-00-001000](#) [319-10-102-00-005000](#)