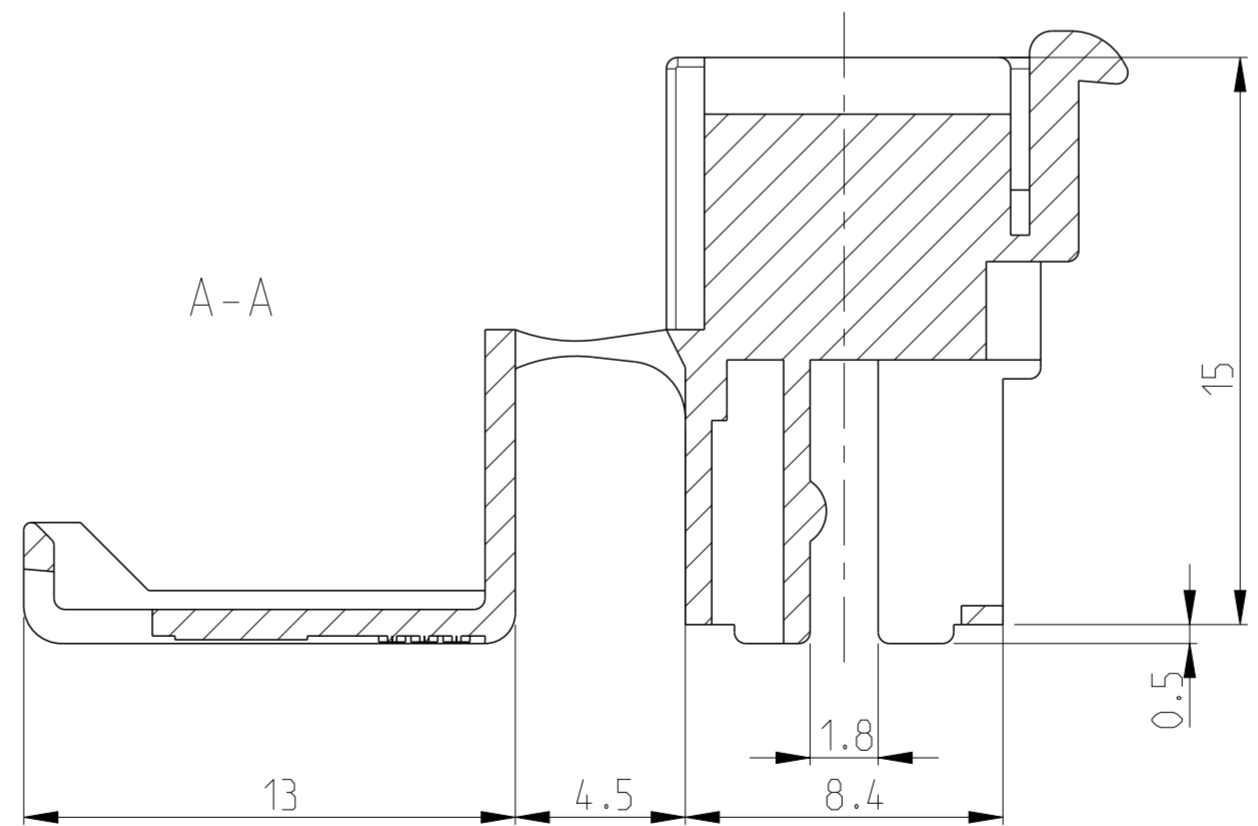
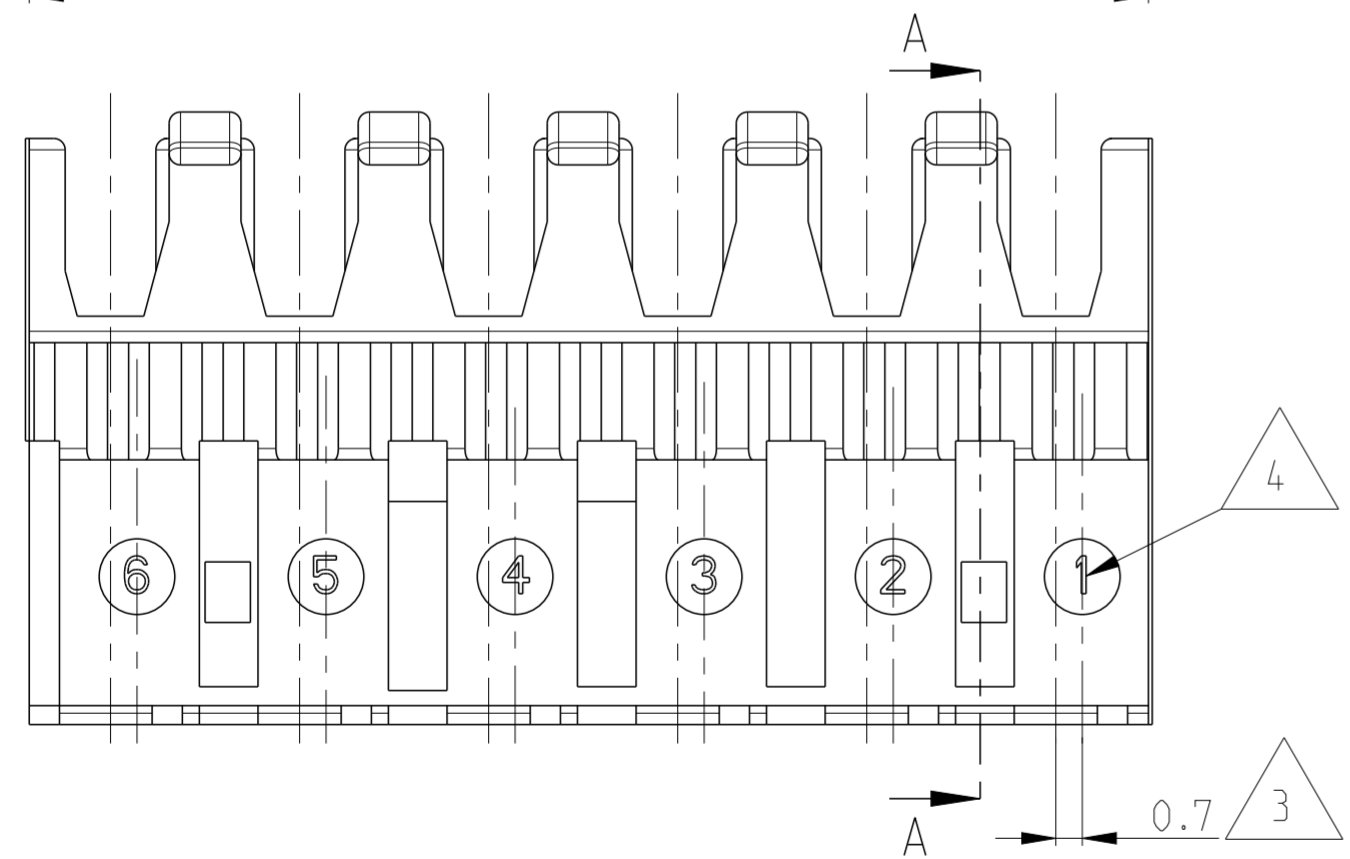
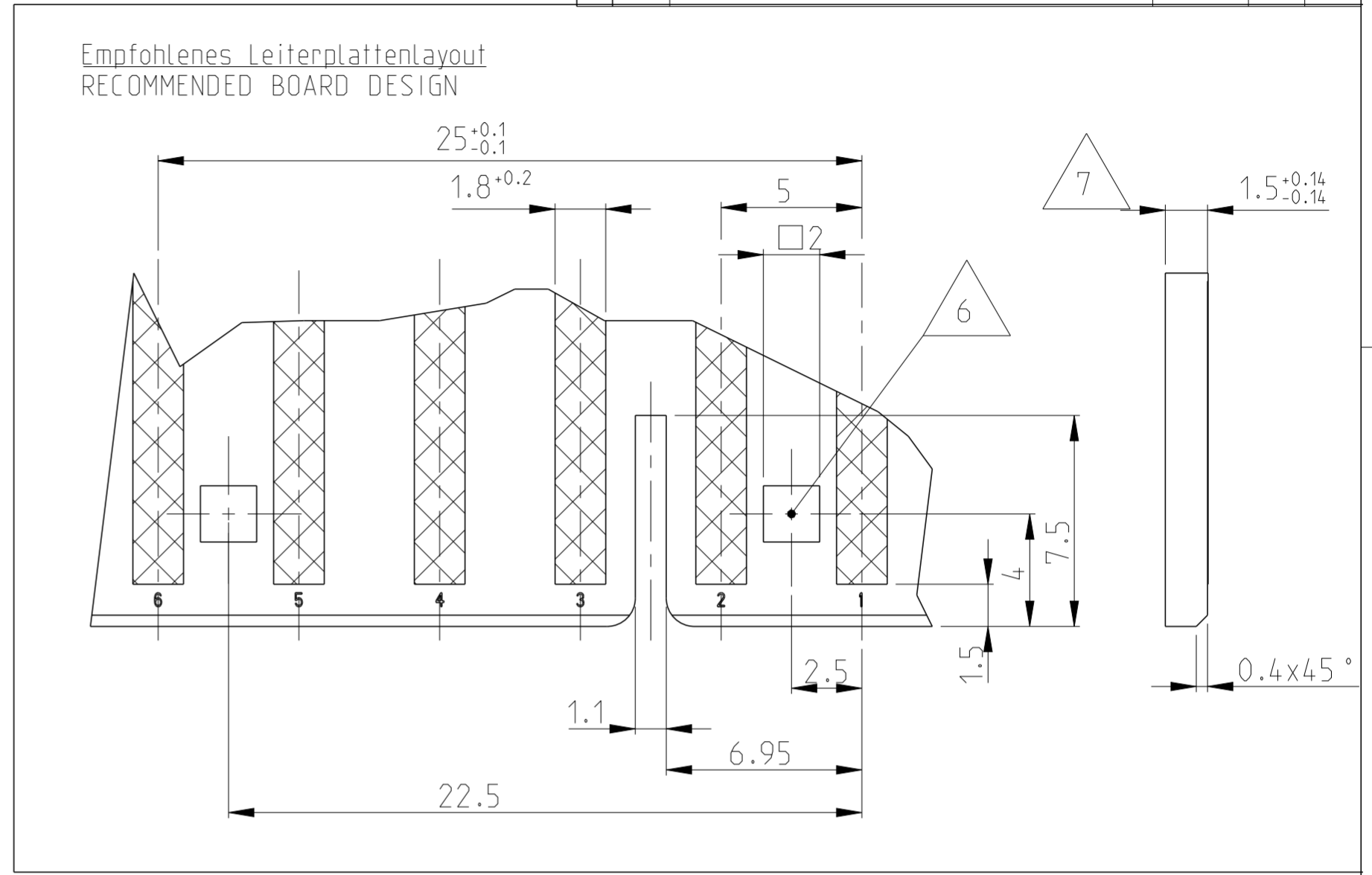
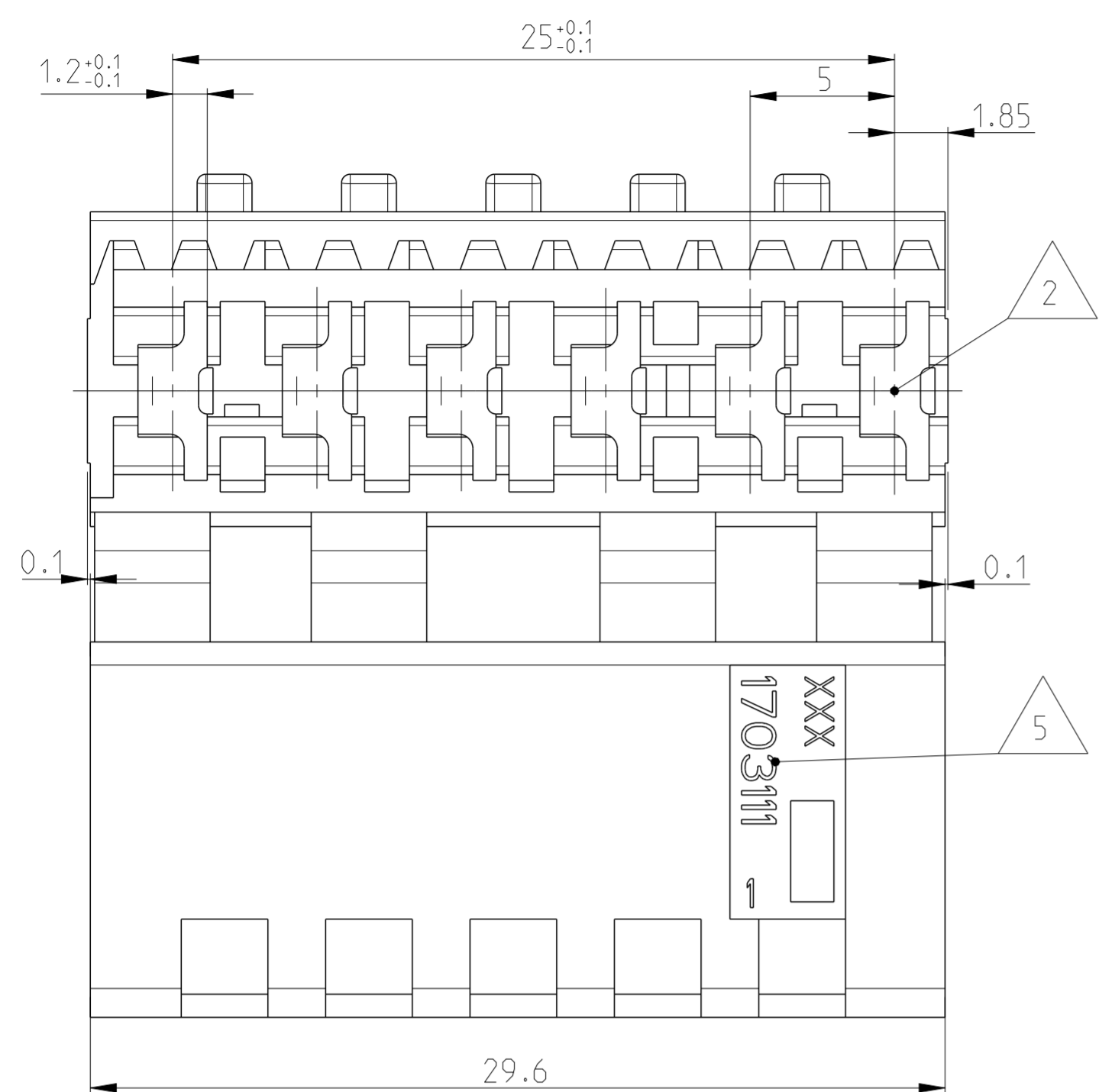


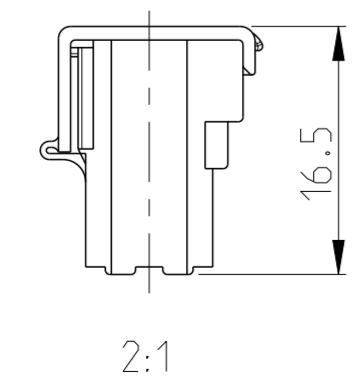
| LOC | DIST | REVISIONS | | | | | |
|-----|------|-----------|-----|---------------------------|-----------|-----|------|
| | | P | LTR | DESCRIPTION | DATE | DWN | APVD |
| A1 | - | B2 | | REVISED PER ECR-16-012572 | 04OCT2016 | BW | RS |



Bemerkungen
NOTES

- 1 Massgebend ist der deutsche Text
ONLY THE GERMAN-LANGUAGE VERSION SHALL BE BINDING
- 2 Lage des Kontaktpunktes auf der Leiterplatte; Abweichung ±0.4
POSITION OF CONTACT POINT ON BOARD; DEVIATION ±0.4
- 3 Kontaktierung zur Drahtmitte um 0.7mm versetzt
CONTACTING 0.7mm DISPLACED TO WIRE CENTRELINE
- 4 Kontaktkammer-Nr.
CONTACT CAVITY #
- 5 Firmenlogo und Leergehäuse-Nr.
ARTWORK LOGO AND HOUSING # (NON LOADED)
- 6 Vierkantloch 2x2 mm wahlweise Rastloch Ø2.5 mm
SQUARE HOLE 2x2 mm OPTIONAL LOCKING HOLE Ø2.5 mm
- 7 Ausführung nach DIN 60249-2-4
BOARD DESIGN ACCORDING TO DIN 60249-2-4
- 8 Crimp Kontakt-Nr.
Material: CuSn4
CRIMP CONTACT # MATERIAL: CuSn4
926770-1; 926917-1

Schematische Darstellung des MT-Edge Gehäuses mit geschlossenem Deckel
 SCHEMATIC DESCRIPTION OF MT-EDGE HOUSING WITH CLOSED LID



| | | | |
|-----------|-------------|-----------------|--------|
| OBSOLETE | 1703111-2 | MT-EDGE HOUSING | GREY |
| | 1703111-1 | MT-EDGE HOUSING | NATURE |
| PART-NO.: | DESCRIPTION | COLOUR | |

| | | | | |
|--|--------|-----------------------------|---------------------------------|-----------|
| THIS DRAWING IS A CONTROLLED DOCUMENT. | | DWN MAHNKE, B. 27SEP2004 | TE Connectivity | |
| DIMENSIONS: mm | | CHK STREDAK, F. 20DEC2004 | | |
| TOLERANCES UNLESS OTHERWISE SPECIFIED: | | APVD BLEICHER, M. 21DEC2004 | NAME | |
| 0 PLC ± | ±0.2mm | PRODUCT SPEC | 6 POS. MT-EDGE HOUSING RAST 5mm | |
| 1 PLC ± | ± | APPLICATION SPEC | - | |
| 2 PLC ± | ± | 108-18003 | SIZE | CAGE CODE |
| 3 PLC ± | ± | 114-18002 | DRAWING NO | |
| 4 PLC ± | ±° | WEIGHT 2.922 g | RESTRICTED TO | |
| ANGLES | ±° | CUSTOMER DRAWING | - | |
| FINISH | | SCALE 5:1 | SHEET 1 OF 1 | REV B2 |

X-ON Electronics

Largest Supplier of Electrical and Electronic Components

Click to view similar products for [Headers & Wire Housings](#) category:

Click to view products by [TE Connectivity](#) manufacturer:

Other Similar products are found below :

[892-18-020-10-001101](#) [58102-G61-06LF](#) [582553-1](#) [0009485154](#) [009176003701906](#) [0050291907](#) [LY20-4P-DT1-P1E-BR](#) [02.125.8002.8](#)
[609-3404](#) [61062-3](#) [61082-181009](#) [622-3653LF](#) [63453-116](#) [636-1030](#) [636-1427](#) [636-3427](#) [636-4007](#) [641938-9](#) [641991-4](#) [644827-2](#) [65817-010LF](#) [65817-015LF](#) [65863-015LF](#) [66207-023LF](#) [67095-007LF](#) [67601157](#) [68645-018](#) [68648-049](#) [70.362.1628.0](#) [70-4210](#) [70-4226B](#) [70-4853B](#) [707-5020](#) [707-5028](#) [71.350.2428.0](#) [71918-208LF](#) [71961-016LF](#) [733-134](#) [733-162](#) [754199-000](#) [760-3052](#) [787-8014-00](#) [79531-3000](#)
[FCN-360C032-B](#) [FCN-367T-T012/H](#) [FCN-723D010/2](#) [80.063.4001.1](#) [800-90-001-10-001000](#) [800-90-010-10-002000](#) [801-43-002-10-013000](#)