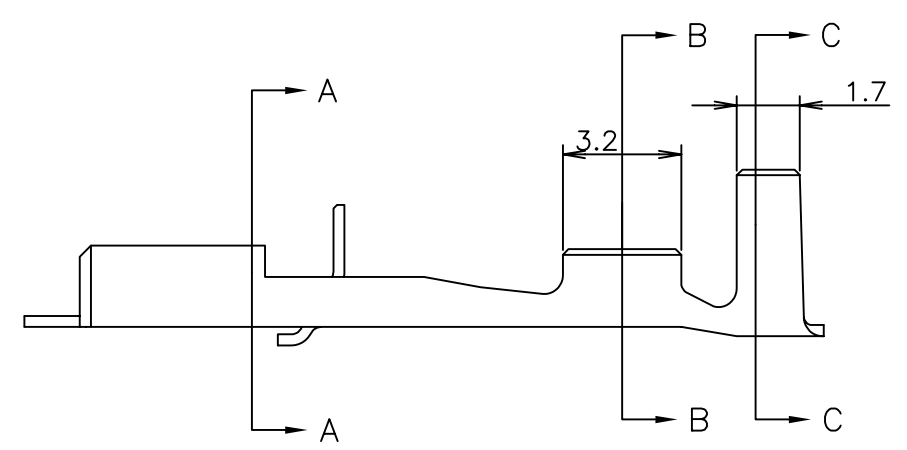
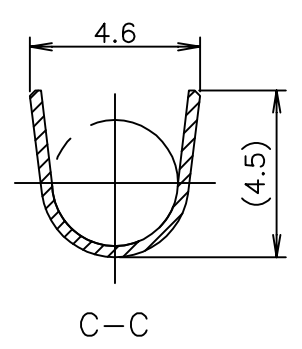
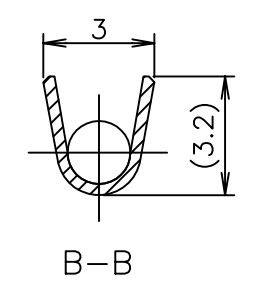
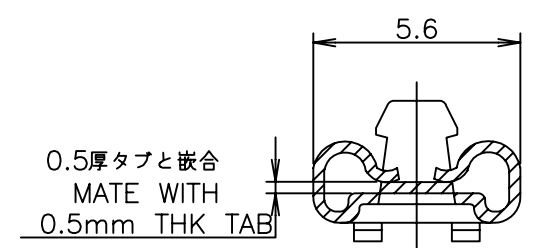
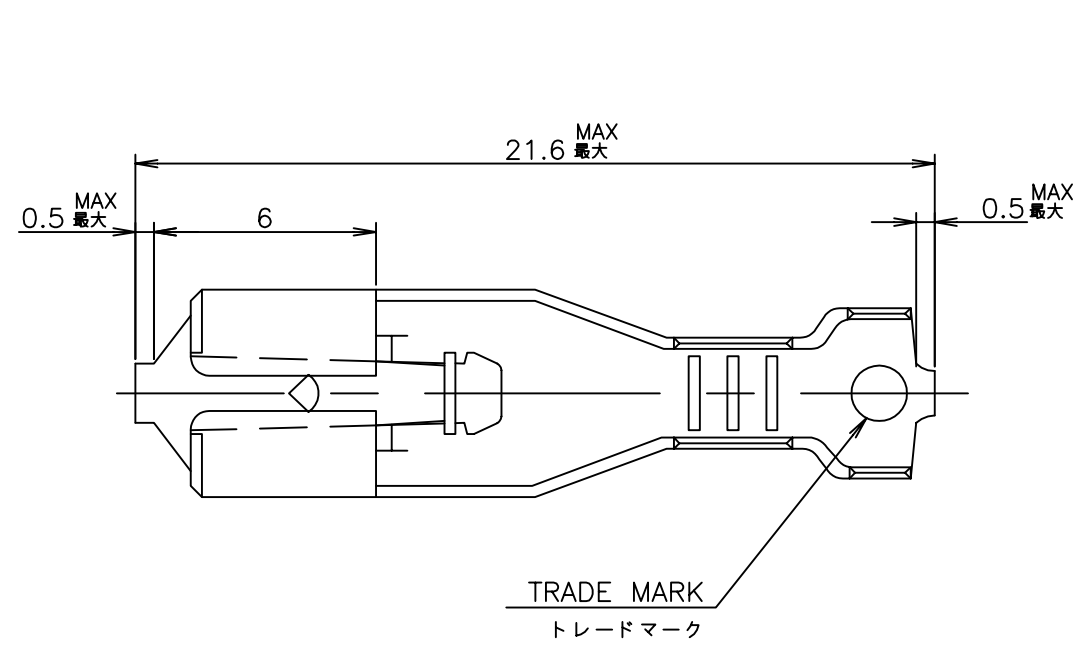


THIS DRAWING IS UNPUBLISHED. RELEASED FOR PUBLICATION AUG, 1998.  
 © COPYRIGHT 1998 By Tyco Electronics Japan G.K. ALL RIGHTS RESERVED.

LOC	DIST	REVISIONS 変更			
P	LTR	DESCRIPTION	DATE	DWN	APVD
J	/	REVISED PER ECR-12-011159	27JUN12	B.P	F.M

-\*; AS SHOWN



- 1 適用ハウジング型番  
172074, 172075
- 1 APPLICABLE HOUSING P/N  
172074, 172075
- 2 PARTS 170325-7 & 170331-7 WERE APPLIED  
NYE LUBE.

170331-7	170325-1	170325-7
—H—	錫めっき済高耐熱銅合金 0.3t PRE-TIN HIGH HEAT RESISTANCE COPPER ALLOY 0.3t THK	170325-6
—H—	錫めっき済 りん青銅 0.3t PRE-TIN PHOS BRO 0.3t THK	170325-5
OBSOLETE	170331-2	170325-2
	ニッケルめっき仕上 りん青銅 0.3t PHOS BRO 0.3t THK NICKEL PL	
	170331-1	170325-1
	錫めっき済黄銅 0.3t PRE-TIN BRASS 0.3t THK	
	ばら状端子型番 LOOSE PIECE P/N	材料 MATERIAL
		型番 STRIP FORM P/N
WIRE RANGE 包合電線断面積 AWG#20-#16 0.51~1.38 mm <sup>2</sup>		INSULATION DIA 被覆外径 1.9~3.4 mmφ

THIS DRAWING IS A CONTROLLED DOCUMENT.

DIMENSIONS: 単位: 耗 mm	TOLERANCES UNLESS OTHERWISE SPECIFIED: 一般公差	DWN M.SUZUKI 04AUG1998
	0 PLC ±-	CHK H.TAGUCHI 04AUG1998
	1 PLC ±-	APVD H.TAGUCHI 04AUG1998
	2 PLC ±-	PRODUCT SPEC 製品規格 108-5126
	3 PLC ±-	APPLICATION SPEC 取付適用規格 114-5041
	4 PLC ±-	WEIGHT
	ANGLES ±-	CUSTOMER DRAWING
MATERIAL 材料 SEE TABLE	FINISH 仕上 SEE TABLE	

GENERAL TOLERANCE 一般公差
10 ≥ : ±0.2
30 ≥ > 10: ±0.25
100 ≥ > 30: ±0.3
ANGLES: ±3°

**TE** TE Connectivity

NAME  
名称  
187 SERIES POSITIVE LOCK MARK II REC.  
187シリーズポジティブロック(マークII)リセプタクル

SIZE	CAGE CODE	DRAWING NO 番号	RESTRICTED TO
A3	00779	C=170325	

SCALE 5:1 SHEET 1 of 1 REV J

## X-ON Electronics

Largest Supplier of Electrical and Electronic Components

*Click to view similar products for [Automotive Connectors](#) category:*

*Click to view products by [TE Connectivity](#) manufacturer:*

Other Similar products are found below :

[003-018-000](#) [60403001](#) [60993906-B](#) [M902-2131](#) [M902-2161](#) [72.330.1035.1](#) [73.353.4028.0](#) [F119300-B](#) [F166900](#) [F258300-B](#) [F358300-B](#)  
[F407400](#) [F444110](#) [F487000](#) [F509500B-B](#) [827153-1](#) [8N1515-32-24P](#) [9-1326729-8](#) [925474-1](#) [928905-1](#) [964562-4](#) [968782-1](#) [GT17SA-8DS-](#)  
[HU](#) [98891-1012](#) [98947-1016](#) [12004147](#) [12004475-L](#) [12010290](#) [12010309-B](#) [12015454](#) [12020219-B](#) [12020308](#) [12041318-B](#) [12052225-L](#)  
[12052466](#) [12059125](#) [12064869](#) [12004327-B](#) [12010503-B](#) [12015308](#) [12015384](#) [12015909](#) [1-21030-1](#) [12041254](#) [12041318](#) [12047946-B](#)  
[12047957](#) [12047957-L](#) [12059473](#) [12066261](#)