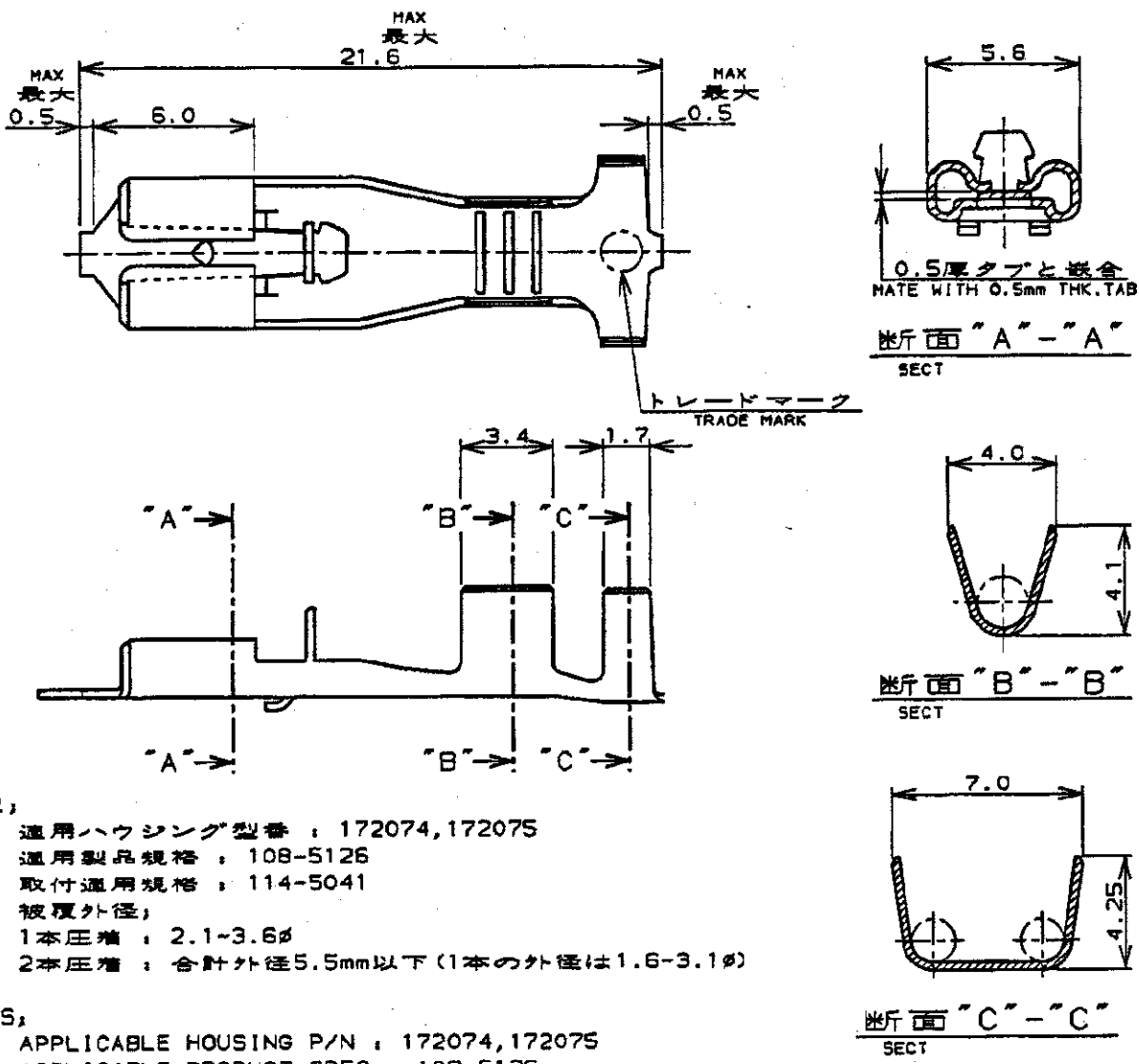


|     |      |           |     |                           |         |     |      |
|-----|------|-----------|-----|---------------------------|---------|-----|------|
| LOC | DIST | REVISIONS |     |                           |         |     |      |
| J   | ZDI  | P         | LTR | DESCRIPTION               | DATE    | OWN | APVD |
|     |      | E2        |     | REVISED PER ECO-11-005030 | 22MAR11 | RK  | HMR  |



- 注記;
1. 適用ハウジング型番 : 172074, 172075
  2. 適用製品規格 : 108-5126
  3. 取付適用規格 : 114-5041
  4. 被覆外径;
    - 1本圧着 : 2.1-3.6φ
    - 2本圧着 : 合計外径5.5mm以下 (1本の外径は1.6-3.1φ)

- NOTES;
1. APPLICABLE HOUSING P/N : 172074, 172075
  2. APPLICABLE PRODUCT SPEC : 108-5126
  3. APPLICABLE APPLICATION SPEC : 114-5041
  4. INSULATION DIA;
    - ONE WIRE : 2.1-3.6φ
    - TWO WIRE : OUTSIDE DIAMETER 5.5mm MAX (SINGLE WIRE 1.6-3.1φ)
- ⚠ OBSOLETE PARTS: OBSOLETE CIS STREAMLINING PER D.RENAUD/D.SINISI

|   |   |               |
|---|---|---------------|
| ---   | 錫めっき済高耐熱銅合金 0.3t<br>PRE-TIN HIGH HEAT RESISTANCE<br>COPPER ALLOY 0.3t | 170326-6<br>⚠ |
| ---   | 錫めっき済リン青銅 0.3t<br>PRE-TIN PHOS BRO 0.3t                               | 170326-5      |
| 170332-1  | 錫めっき付黄銅 0.3t<br>PRE-TIN BRASS 0.3t                                    | 170326-1      |
| ばら状端子型番<br>LOOSE PIECE P/N                                    | 材料<br>MATERIAL  | 型番<br>P/N     |
| WIRE RANGE<br>被覆電線断面積<br>0.7-2.08mm <sup>2</sup> (AWG#18-#14) | INSULATION DIA<br>被覆外径<br>注4参照<br>SEE NOTES 4                         |               |

THIS DRAWING IS UNPUBLISHED.  
 ALL RIGHTS RESERVED.  
 COPYRIGHT

DIMENSIONS,  
單位 ㎜

TOLERANCES UNLESS OTHERWISE SPECIFIED.

一般公差  
10% ±0.2  
30% ±0.25  
100% ±0.3  
ANGLE ±0.3

±0.4

OWN *M. Nardisun* 11/8 '95

CHK *M. Suzuki* 8 NOV '95

APVD *[Signature]* 8 NOV '95

PRODUCT SPEC  
製品規格  
注2参照  
SEE NOTES 2

APPLICATION SPEC  
取付適用規格  
注3参照  
SEE NOTES 3

WEIGHT ---

MATERIAL 表参照  
材料 SEE TABLE

FINISH 仕上

**TE** TE Connectivity

NAME 名称  
"187"シリーズポジティブロック(マークII)リセプタクル  
"187" SERIES POSITIVE LOCK (MARK-II) REC.

|      |           |            |
|------|-----------|------------|
| SIZE | CAGE CODE | DRAWING NO |
| A4   | 00779     | C-170326   |

CUSTOMER DRAWING

SCALE 尺 4:1 SHEET 1 OF 1 REV E2

## X-ON Electronics

Largest Supplier of Electrical and Electronic Components

*Click to view similar products for [Terminals](#) category:*

*Click to view products by [TE Connectivity](#) manufacturer:*

Other Similar products are found below :

[00-054007-01074-6](#) [00-054007-70206-1](#) [00-054007-70210-8](#) [00-054007-70217-7](#) [00-054007-70226-9](#) [00-054007-70228-3](#) [00-054007-70248-1](#) [00-054007-70256-6](#) [00-054007-70301-3](#) [00-054007-70316-7](#) [0-0320562-0](#) [00-054007-49560-4](#) [00-054007-70209-2](#) [00-054007-70225-2](#) [00-054007-70227-6](#) [00-054007-70231-3](#) [00-054007-70241-2](#) [00-054007-70242-9](#) [00-054007-70244-3](#) [00-054007-70246-7](#) [00-054007-70263-4](#) [00-054007-70288-7](#) [00-054007-70290-0](#) [00-054007-70300-6](#) [00-054007-70304-4](#) [01-2065-1-0216](#) [01-2900-1-04412](#) [00581P0075](#) [600TS-10](#) [60205-1](#) [604200-1](#) [605601-1](#) [60598-1-CUT-TAPE](#) [61314-6-C](#) [61810-3](#) [61-S](#) [61-SN](#) [626-0194](#) [62-NBM-A](#) [62-SN](#) [62-SP](#) [63-S](#) [640179-1](#) [M55155/059I03](#) [M55155/079C01](#) [M55155/099H02](#) [M55155/109H01](#) [M55155/109H02](#) [M55155/12XH05](#) [M55155/16XH02](#)