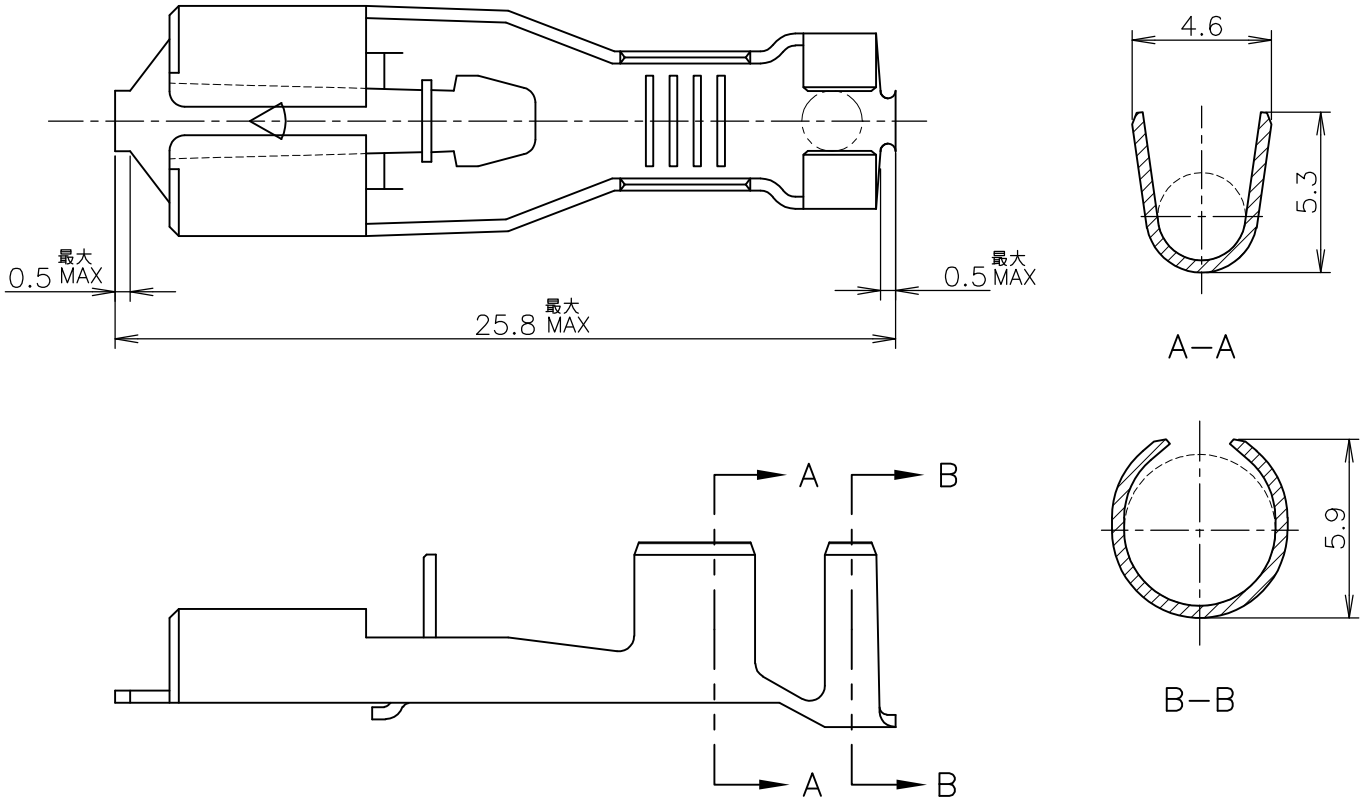


LOC J	DIST /	REVISIONS 変更			DATE	DWN	APVD
		P	LTR	DESCRIPTION			
			F	REDRAWN ECR-10-023816	26NOV2010	T.T	T.M

-1; AS SHOWN



- ⚠ 適用手動工具は使用電線により2種類。(取付適用規格番号 114-5042)
- ⚠ THERE ARE TWO TYPE HAND TOOLS BY USE WIRE. (APPLICATION SPEC: 114-5042)

WIRE mm2 (AWG) 適用電線	HAND TOOL P/N 適用工具型番
1.75-2.27 (#15-#14)	911775-1
3.08-5.27 (#12-#10)	911776-1

IS-392J	911775-1 911776-1	⚠	170329-1	PRE TINNED BRASS 錫めっき付 黄銅 0.41t	170335-1
INSTRUCTION NO. 取扱説明書番号	HAND TOOL P/N 手動工具型番		STRIP NO. 連鎖状端子型番	MATERIAL 材料	P/N 型番

WIRE RANGE 抱合電線断面積	AWG #15-#10 1.75~5.4 mm ²	INSULATION DIA 被覆外径	3.0~5.1 mm ϕ
-----------------------	---	------------------------	-------------------

DIMENSIONS: 単位: 耗 mm	DWN T.TSUZAKI	24NOV2010	MATERIAL 材料	表参照 SEE TABLE	FINISH 仕上	
	CHK T.MASUDA	26NOV2010	Tyco Electronics Corporation Kawasaki, Japan			
TOLERANCES UNLESS OTHERWISE SPECIFIED: 一般公差	APVD T.MASUDA	26NOV2010				
0 PLC \pm	PRODUCT SPEC 製品規格		SIZE	A4	CAGE CODE	00779
1 PLC \pm	APPLICATION SPEC 取付適用規格		DRAWING NO 番号	C-170335		RESTRICTED TO
2 PLC \pm						
3 PLC \pm						
4 PLC \pm						
ANGLES $\pm 3'$	WEIGHT					
	CUSTOMER DRAWING		SCALE 尺度	4:1	SHEET 1 OF 1	REV F

RELEASED FOR PUBLICATION
DEC 1, 1978.

ALL INTERNATIONAL RIGHTS RESERVED.

THIS DRAWING IS UNPUBLISHED.

ALL INTERNATIONAL RIGHTS RESERVED.

COPYRIGHT 1978 BY TYCO ELECTRONICS CORPORATION.

X-ON Electronics

Largest Supplier of Electrical and Electronic Components

Click to view similar products for [Headers & Wire Housings](#) category:

Click to view products by [TE Connectivity](#) manufacturer:

Other Similar products are found below :

[95000-104TRLF](#) [10135584-644402LF](#) [DF62W-EP2022PCA](#) [95000-106TRLF](#) [DF62W-2022SCA](#) [DF62W-EP2022PC](#) [2203348](#) [DF62W-2022SC](#) [1084018](#) [1029039](#) [1084017](#) [802-10-012-10-002000](#) [1112640](#) [1112639](#) [000-34000](#) [0009482033](#) [0009507031](#) [57102-S06-03LF](#) [57202-S52-04LF](#) [PCN6-15S-2.5E](#) [0039019024](#) [58102-G61-06LF](#) [582553-1](#) [0009508121](#) [0050291907](#) [018731A](#) [LY20-4P-DT1-P1E-BR](#) [02.125.8002.8](#) [60101931](#) [60598-1 \(Cut Strip\)](#) [M1625-3R/100](#) [61062-3](#) [61082-181009](#) [636-1427](#) [638009-1](#) [641938-9](#) [641991-4](#) [644168-1](#) [647662-1](#) [65039-019ELF](#) [65817-002LF](#) [65817-015LF](#) [65863-015LF](#) [66207-023LF](#) [67016-026LF](#) [67046-001LF](#) [67095-007LF](#) [68002-116](#) [68016-236H](#) [68648-049](#)