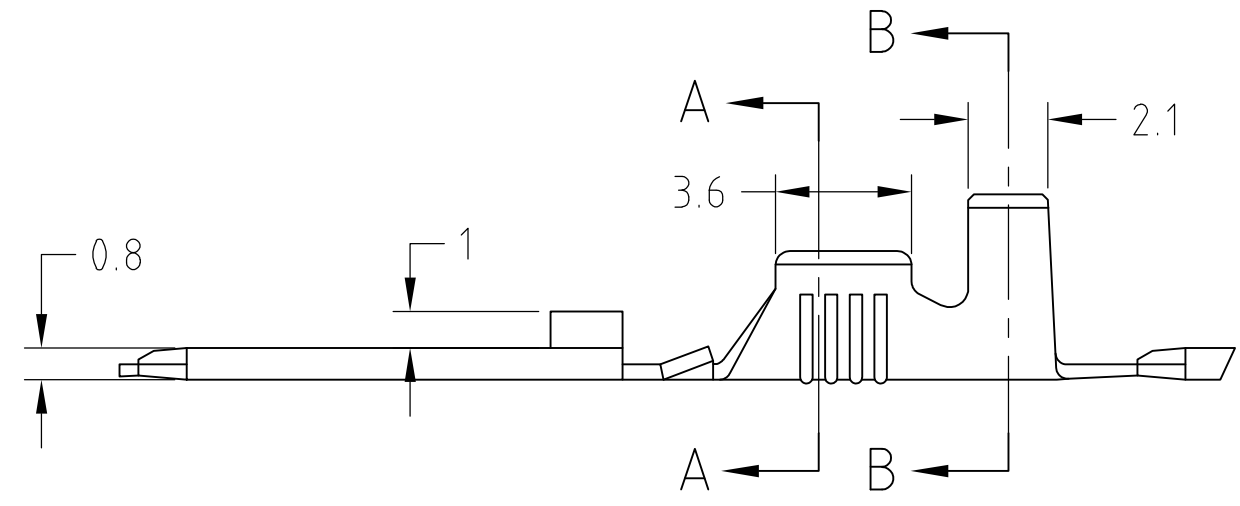
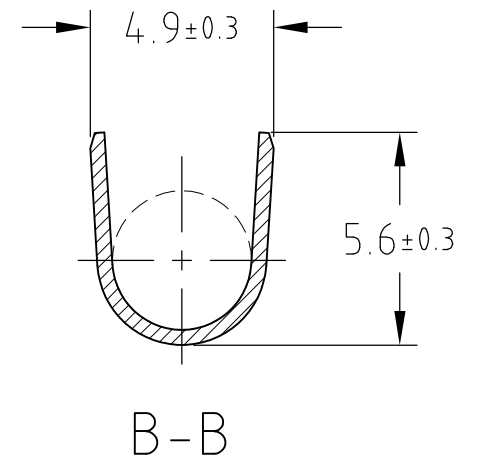
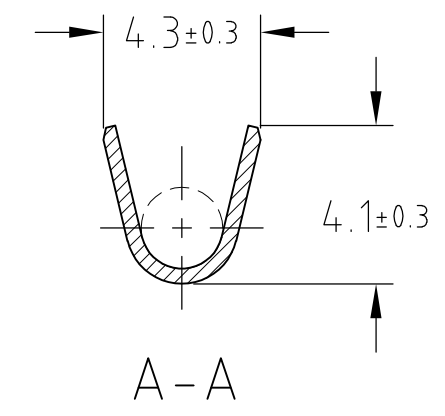
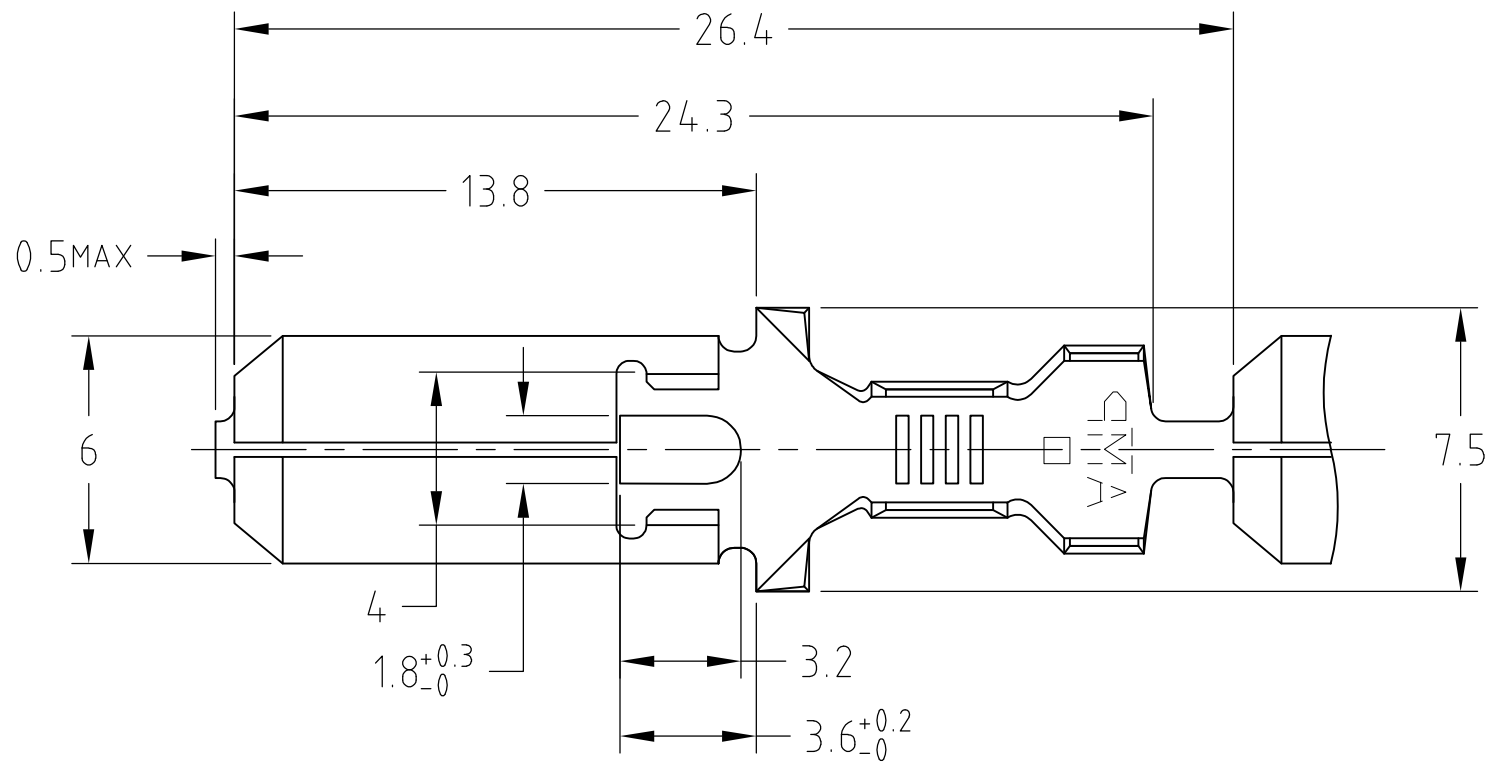


THIS DRAWING IS UNPUBLISHED. RELEASED FOR PUBLICATION
 © COPYRIGHT BY TYCO ELECTRONICS CORPORATION. ALL RIGHTS RESERVED.

| LOC | DIST | REVISIONS | | | | | |
|-----|------|-----------|-----|-----------------------------------|----------|-----|------|
| J | — | P | LTR | DESCRIPTION | DATE | DWN | APVD |
| | | | C2 | REDRAWN WITH CHANGE ECR-16-015552 | 8NOV2016 | DL | TD |



| | | | |
|---------------|----------------------------------|-------------------|---|
| — // — | 黄銅 BRASS t=0.41 | 170341-5 | ⚠ |
| — // — | 錫めっき済 黄銅 PRE-TIN BRASS t=0.41 | 170341-4 | ⚠ |
| — // — | 錫めっき済 黄銅 PRE-TIN BRASS t=0.41 | 170341-3 | |
| — // — | 黄銅 BRASS t=0.41 | 170341-1 | |
| 仕上げ FINISH | 材料 MATERIAL | 型番 PART NUMBER | |

注記：
 ⚠ 中間紙を巻いたタイプ
 NOTES:
 ⚠ SEPARATE PAPER TYPE

| | | | | | | | | | | |
|---|------------|--|--|-----------------|------------|-------|-----------|--|--|------------------------------|
| THIS DRAWING IS A CONTROLLED DOCUMENT. | | DWN T.SHINOHARA 16JUN1998 | Tyco Electronics AMP K.K. Kawasaki, Japan | | | | | | | |
| DIMENSIONS: 単位: 耗 mm | | CHK K.BETSUI 16JUN1998 | | | | | | | | |
| TOLERANCES UNLESS OTHERWISE SPECIFIED: 一般公差 | | APVD K.BETSUI 16JUN1998 | NAME 名称 | | | | | | | |
| <table border="1"> <tr> <td>10 ≥</td> <td>± 0.2</td> </tr> <tr> <td>30 ≥</td> <td>>10 ± 0.25</td> </tr> <tr> <td>100 ≥</td> <td>>30 ± 0.3</td> </tr> </table> | | 10 ≥ | ± 0.2 | 30 ≥ | >10 ± 0.25 | 100 ≥ | >30 ± 0.3 | PRODUCT SPEC 製品規格 108-5147,5153,5319 | | 250 SERIES TAB WITHOUT LATCH |
| 10 ≥ | ± 0.2 | | | | | | | | | |
| 30 ≥ | >10 ± 0.25 | | | | | | | | | |
| 100 ≥ | >30 ± 0.3 | | | | | | | | | |
| MATERIAL 材料 SEE TABLE | | APPLICATION SPEC 取付適用規格 114-5052 | | | | | | | | |
| ANGLES FINISH 仕上 SEE TABLE | | WEIGHT | | RESTRICTED TO | | | | | | |
| | | WIRE RANGE 2-3.37mm ² (AWG#14-#12) | | SCALE 尺度 5:1 | | | | | | |
| | | INSULATION DIA 2.9-3.8DIA | | SHEET 1 OF 1 | | | | | | |
| | | SIZE A3 | | REV C2 | | | | | | |
| | | CAGE CODE 00779 | | | | | | | | |
| | | DRAWING NO G-170341 | | | | | | | | |
| | | CUSTOMER DRAWING | | | | | | | | |

X-ON Electronics

Largest Supplier of Electrical and Electronic Components

Click to view similar products for [Terminals](#) category:

Click to view products by [TE Connectivity](#) manufacturer:

Other Similar products are found below :

[00-054007-01074-6](#) [00-054007-70206-1](#) [00-054007-70210-8](#) [00-054007-70217-7](#) [00-054007-70226-9](#) [00-054007-70228-3](#) [00-054007-70248-1](#) [00-054007-70256-6](#) [00-054007-70301-3](#) [00-054007-70316-7](#) [0-0320562-0](#) [00-054007-49560-4](#) [00-054007-70209-2](#) [00-054007-70225-2](#) [00-054007-70227-6](#) [00-054007-70231-3](#) [00-054007-70241-2](#) [00-054007-70242-9](#) [00-054007-70244-3](#) [00-054007-70246-7](#) [00-054007-70263-4](#) [00-054007-70288-7](#) [00-054007-70290-0](#) [00-054007-70300-6](#) [00-054007-70304-4](#) [01-2065-1-0216](#) [01-2900-1-04412](#) [00581P0075](#) [600TS-10](#) [60205-1](#) [604200-1](#) [605601-1](#) [60598-1-CUT-TAPE](#) [61314-6-C](#) [61810-3](#) [61-S](#) [61-SN](#) [626-0194](#) [62-NBM-A](#) [62-SN](#) [62-SP](#) [63-S](#) [640179-1](#) [M55155/059I03](#) [M55155/079C01](#) [M55155/099H02](#) [M55155/109H01](#) [M55155/109H02](#) [M55155/12XH05](#) [M55155/16XH02](#)