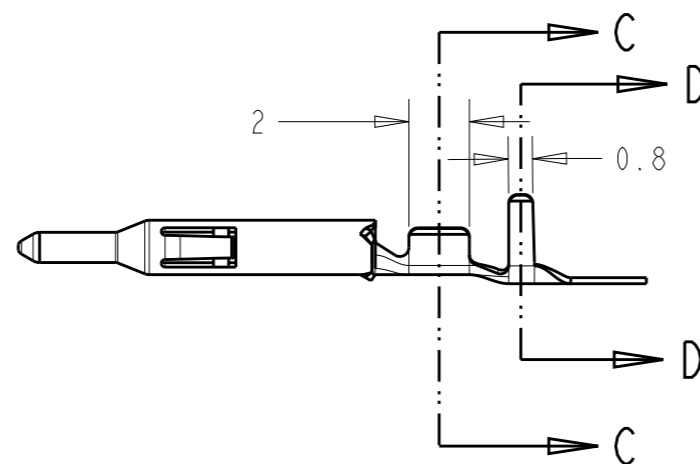
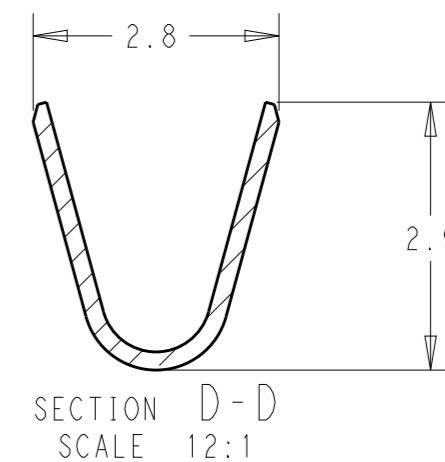
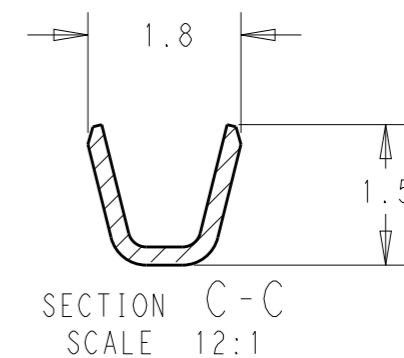
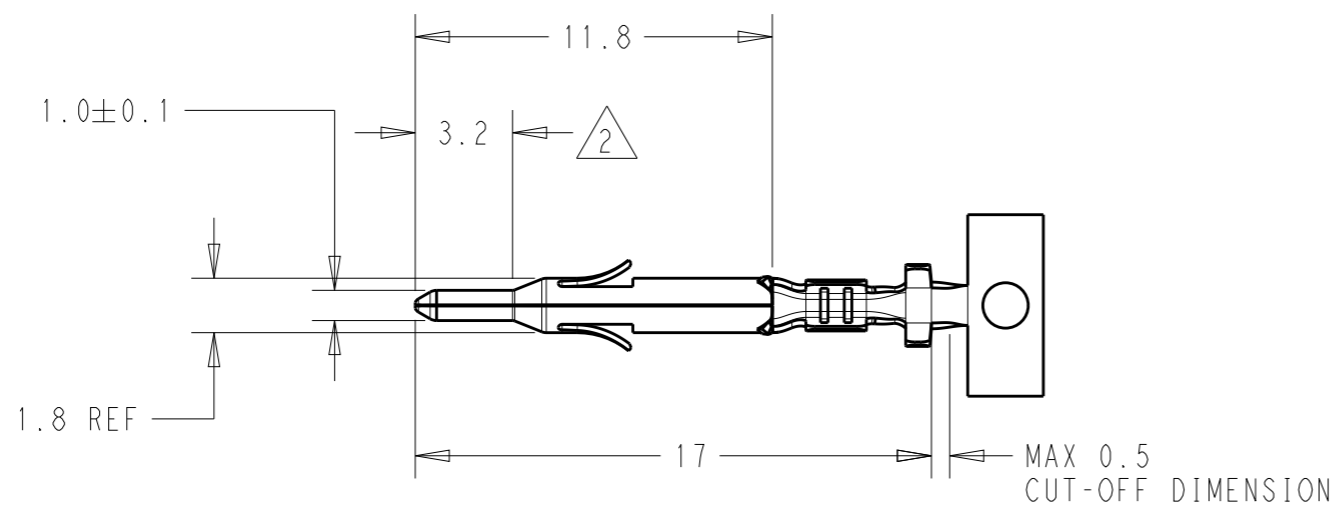


| P | LTR | DESCRIPTION | DATE | DWN | APVD |
|---|-----|---------------------------|-----------|-----|------|
| | F | REVISED PER ECO-19-005751 | 26SEP2019 | RS | SG |
| | | | | | |
| | | | | | |



1. THIS CONTACT IS USED ON EITHER PLUG AND CAP HOUSING

2 0.00076mm MIN THICK GOLD-PLATED IN THE CONTACT SECTION TO 3.2mm FROM TIP END, OVER NICKEL UNDERPLATE ALL OVER

3. WIRE RANGE: 26-22 AWG, INSULATION DIA: 1.2-1.75 mm

| | | | |
|--------------------------------|-----------------|-----------------|-------------|
| 170361, 170362, 170365, 170366 | TIN/PHOS BRONZ | 170363-4 | 170359-4 |
| | GOLD/BRASS 3 | 170363-3 | 170359-3 |
| | TIN/BRASS | 170363-1 | 170359-1 |
| MATING P/N | FINISH/MATERIAL | LOOSE PIECE P/N | PART NUMBER |

| | | | | |
|--|--|---------------------------|--|---------------------|
| THIS DRAWING IS A CONTROLLED DOCUMENT. | | DWN R. SMITH 26SEP2019 | | |
| DIMENSIONS: mm | | CHK S. WRIGHT 26SEP2019 | | |
| TOLERANCES UNLESS OTHERWISE SPECIFIED: | | APVD S. WRIGHT 26SEP2019 | NAME MINI UNIVERSAL MATE-N-LOK PIN CONTACT | |
| 0 PLC ±0.4 | | PRODUCT SPEC 108-5138 | SIZE A3 | |
| 1 PLC ±0.4 | | APPLICATION SPEC 114-5050 | CAGE CODE 00779 | DRAWING NO C-170359 |
| 2 PLC ± | | WEIGHT - | RESTRICTED TO - | |
| 3 PLC ± | | CUSTOMER DRAWING | SCALE 4:1 | SHEET 1 OF 1 |
| 4 PLC ± | | | | REV F |
| ANGLES ± | | | | |
| MATERIAL SEE TABLE | | | | |
| FINISH SEE TABLE | | | | |

X-ON Electronics

Largest Supplier of Electrical and Electronic Components

Click to view similar products for [Pin & Socket Connectors](#) category:

Click to view products by [TE Connectivity](#) manufacturer:

Other Similar products are found below :

[6450822-1](#) [770392-1](#) [794042-1](#) [796885-1](#) [8-794535-1](#) [PLR3455ACS-222](#) [R929991004](#) [R929993003](#) [1403611-1](#) [1-480349-5](#) [152302-5](#)
[153211-2](#) [1586092-1](#) [1586129-1](#) [1586681-4](#) [1586700-1](#) [1586368-1](#) [1586380-1](#) [1586616-1](#) [1586680-5](#) [16-06-0038](#) [164164-5](#) [1-6609930-1](#)
[172296-1](#) [19-09-2035](#) [200503-1](#) [200788-2](#) [2029090-4](#) [2029095-4](#) [925061-7](#) [293734-4](#) [293737-2](#) [1-765362-4](#) [1871534-1](#) [200833-4](#)
[2008625-2](#) [2029027-2](#) [2029096-4](#) [R929991000](#) [R929991002](#) [R929993000](#) [319-10-101-00-005000](#) [319-10-102-00-001000](#) [319-10-104-00-001000](#) [319-10-105-00-001000](#) [319-10-108-00-001000](#) [319-10-112-00-006000](#) [39-01-8019](#) [319-10-101-00-001000](#) [319-10-102-00-005000](#)