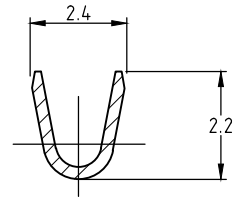
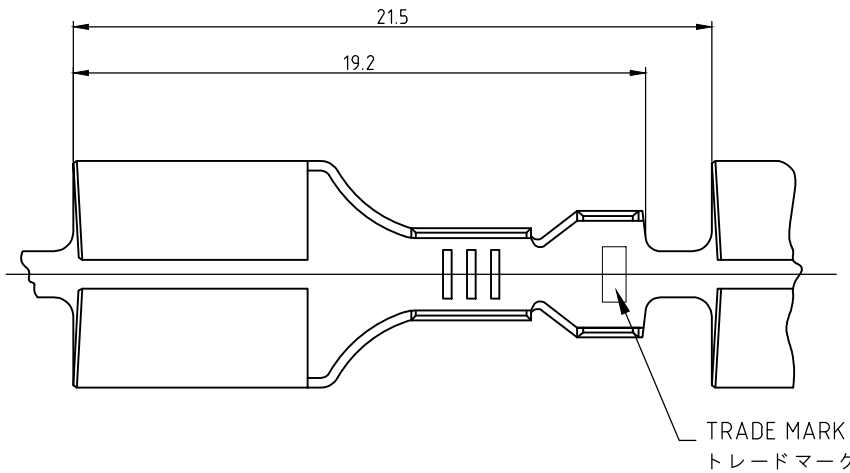
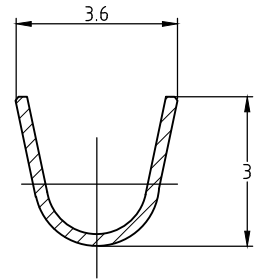


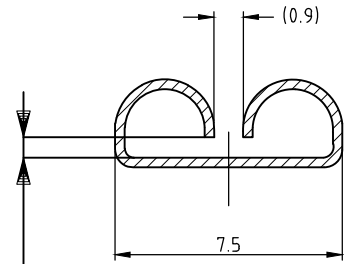
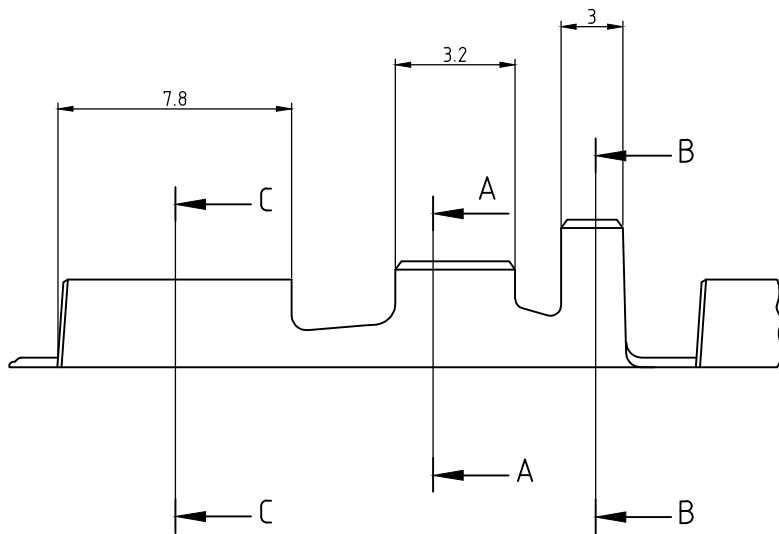
REVISIONS 変更					
P	LTR	DESCRIPTION	DATE	DWN	APVD
	B2	REVISED PER ECR-19-019198	13JAN2020	BH	E.W



SECT.  
断面 A-A



SECT.  
断面 B-B



この寸法はかん合力によって規定する。  
THIS DIMENSION IS CONTROLLED WITH MATING FORCE

SECT.  
断面 C-C

- NOTE;
- 1. STRESS RELIEVING FINISH IS SUBJECT TO CHANGE BY THE TYPE OF STRESS RELIVING PROCESS  
INERT GAS FURNACE - - - MATTE  
ATMOSPHERIC FURNACE FOLLOWED BY ACID PICKLE - - - BRIGHT
  - 2. CONTACT INSERTION FORCE : 39.2N MAX.  
CONTACT EXTRACTION FORCE : 4.9 - 39.2N
  - 3. APPLICATION FEED : 21.49mm

TIN PLATING 錫めっき	BRASS THICKNESS 黄銅 板厚0.32	170384-2
— // —	BRASS THICKNESS 黄銅 板厚0.32	170384-1
FINISH 仕上	MATERIAL 材質	PART NO. 型番

THIS DRAWING IS UNPUBLISHED. ALL RIGHTS RESERVED.

COPYRIGHT - By -

WIRE RANGE 総合電線断面積 0.3~0.5mm <sup>2</sup> (AWG#22-20)	INSULATION DIA 被覆外径 1.5~2.2mmφ
--	-----------------------------------

DIMENSIONS:  
単位: 耗  
mm

**TOLERANCES UNLESS OTHERWISE SPECIFIED:**  
一般公差

0.0以下 ± 0.2  
1 PLC ±  
20mm以下 ± 0.25  
3 PLC ±  
30mm以下 ± 0.3  
ANGLES ± 3'

DWN J.SATO 17MAY2007	MATERIAL 材料 SEE TABLE	FINISH 仕上 SEE TABLE
CHK S.MANABE 17MAY2007	TE Connectivity	
APVD S.MANABE 17MAY2007		
PRODUCT SPEC 製品規格	NAME 名称 .250 SERIES RECEPTACLE WITHOUT LATCH	
APPLICATION SPEC 取付適用規格	SIZE A4	CAGE CODE 00779
WEIGHT 0.000000	DRAWING NO 番号 C-170384	RESTRICTED TO —
CUSTOMER DRAWING		SCALE 尺度 4:1
		SHEET 1 OF 1
		REV B2

## X-ON Electronics

Largest Supplier of Electrical and Electronic Components

*Click to view similar products for [Terminals](#) category:*

*Click to view products by [TE Connectivity](#) manufacturer:*

Other Similar products are found below :

[00-054007-01074-6](#) [00-054007-70206-1](#) [00-054007-70210-8](#) [00-054007-70217-7](#) [00-054007-70226-9](#) [00-054007-70228-3](#) [00-054007-70248-1](#) [00-054007-70256-6](#) [00-054007-70301-3](#) [00-054007-70316-7](#) [00-054007-49560-4](#) [00-054007-70209-2](#) [00-054007-70225-2](#) [00-054007-70227-6](#) [00-054007-70231-3](#) [00-054007-70241-2](#) [00-054007-70242-9](#) [00-054007-70244-3](#) [00-054007-70246-7](#) [00-054007-70263-4](#) [00-054007-70288-7](#) [00-054007-70290-0](#) [00-054007-70300-6](#) [00-054007-70304-4](#) [01-2065-1-0216](#) [01-2900-1-04412](#) [00581P0075](#) [600TS-10](#) [60205-1](#) [604200-1](#) [605601-1](#) [60598-1-CUT-TAPE](#) [61314-6-C](#) [61810-3](#) [61-S](#) [61-SN](#) [626-0194](#) [62-NBM-A](#) [62-SN](#) [62-SP](#) [63-S](#) [640179-1](#) [M55155/059I03](#) [M55155/079C01](#) [M55155/099H02](#) [M55155/109H01](#) [M55155/109H02](#) [M55155/12XH05](#) [M55155/16XH02](#) [M55155/29-5S](#)