

170466-1 ✓ ACTIVE

FASTON | FASTON 187

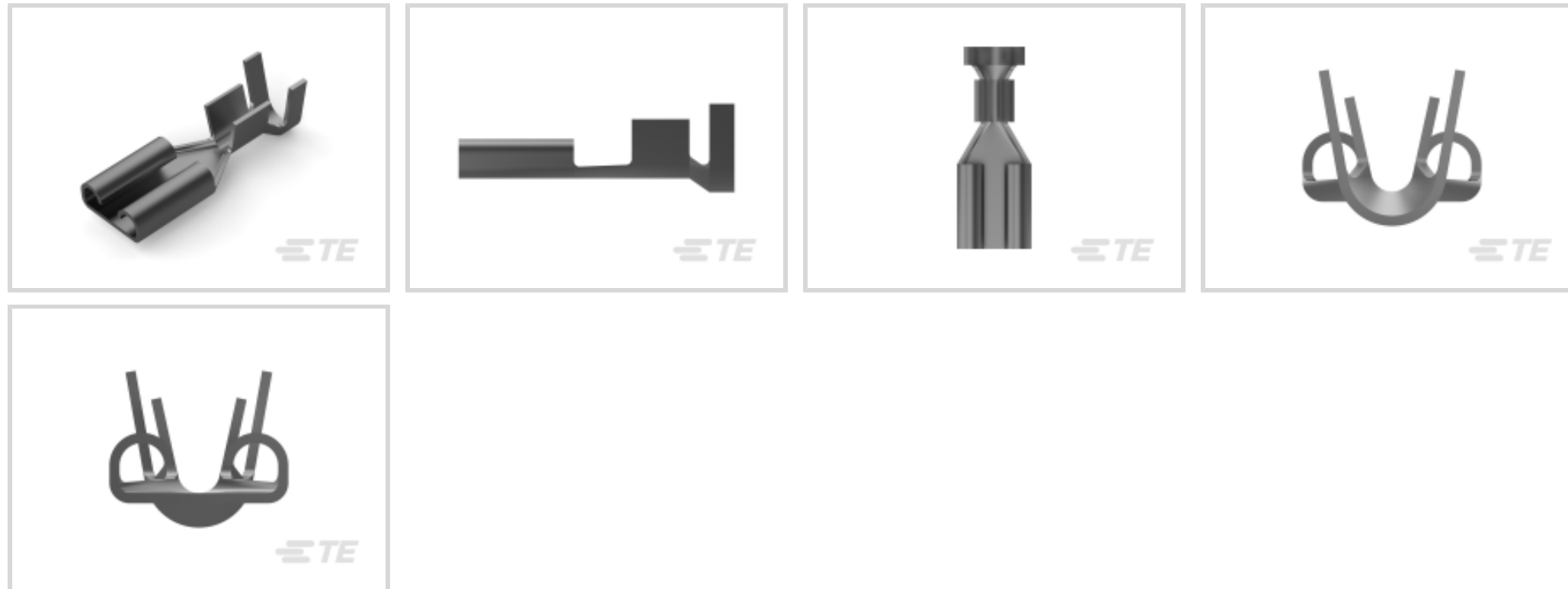
TE Internal #: 170466-1

FASTON 187, Quick Disconnects, Receptacle, 18 – 14AWG Wire Size, .82 – 2.08mm² Wire Size, Quick Disconnect Mating Tab Width .187 in [4.75 mm]

[View on TE.com >](#)



Terminals & Splices > Quick Disconnects



Terminal & Splice Type: **Receptacle**

Wire Size: **.82 – 2.08 mm²**

Quick Disconnect Mating Tab Width: **4.75 mm [.187 in]**

Quick Disconnect Mating Tab Thickness: **.51 mm [.02 in]**

Features

Product Type Features

Wire Stop	No
Wire/Cable Type	Regular Wire
Terminates To	Wire & Cable
Quick Disconnect Insertion Force	Normal
Sealable	No
Insulated	No

Configuration Features

Connection Capacity	Single
---------------------	--------

Body Features

Fully Insulated	No
Quick Disconnect Plating Material	Tin

Contact Features

Terminal Type	Receptacle
Terminal & Splice Type	Receptacle

Quick Disconnect Terminal Orientation	Straight
Contact Base Material	Brass
Crimp Type	F-Crimp
Barrel Type	Open

Mechanical Attachment

Mating Retention Type	Dimple
Extraction Force	19.6 – 50 Newton
Wire Insulation Support	With

Dimensions

Accepts Wire Insulation Diameter Range	2.2 – 3.43 mm [.087 – .135 in]
Overall Length	15.2 mm [.6 in]
Receptacle Terminal Stock Thickness	.33 mm [.013 in]
Wire Size	.82 – 2.08 mm ²
Quick Disconnect Mating Tab Width	4.75 mm [.187 in]
Quick Disconnect Mating Tab Thickness	.51 mm [.02 in]

Usage Conditions

Insulation Requirement	Uninsulated
Operating Temperature Range	-40 – 110 °C [-40 – 230 °F]

Industry Standards

UL Rating	Listed
CSA Certified	Yes

Packaging Features

Packaging Quantity	7000
Quick Disconnect Packaging Method	Strip/Reel

Product Compliance

[For compliance documentation, visit the product page on TE.com>](#)

EU RoHS Directive 2011/65/EU	Compliant
EU ELV Directive 2000/53/EC	Out of Scope
China RoHS 2 Directive MIIT Order No 32, 2016	No Restricted Materials Above Threshold
EU REACH Regulation (EC) No. 1907/2006	Current ECHA Candidate List: JUL 2021 (219)



Candidate List Declared Against: JUL 2021 (219)

Does not contain REACH SVHC

Halogen Content

Low Halogen - Br, Cl, F, I < 900 ppm per homogenous material. Also BFR/CFR/PVC Free

Solder Process Capability

Not applicable for solder process capability

Product Compliance Disclaimer

This information is provided based on reasonable inquiry of our suppliers and represents our current actual knowledge based on the information they provided. This information is subject to change. The part numbers that TE has identified as EU RoHS compliant have a maximum concentration of 0.1% by weight in homogenous materials for lead, hexavalent chromium, mercury, PBB, PBDE, DBP, BBP, DEHP, DIBP, and 0.01% for cadmium, or qualify for an exemption to these limits as defined in the Annexes of Directive 2011/65/EU (RoHS2). Finished electrical and electronic equipment products will be CE marked as required by Directive 2011/65/EU. Components may not be CE marked. Additionally, the part numbers that TE has identified as EU ELV compliant have a maximum concentration of 0.1% by weight in homogenous materials for lead, hexavalent chromium, and mercury, and 0.01% for cadmium, or qualify for an exemption to these limits as defined in the Annexes of Directive 2000/53/EC (ELV). Regarding the REACH Regulation, the information TE provides on SVHC in articles for this part number is based on the latest European Chemicals Agency (ECHA) 'Guidance on requirements for substances in articles' posted at this URL: <https://echa.europa.eu/guidance-documents/guidance-on-reach>

Compatible Parts



TE Part # 61045-2
FASTON .187 SERIES (4.8 MM) TPBR



TE Part # 170141-2
187 FASTON, FLAG, REC., 20-16 AWG, TPBR



TE Part # 4150098-1
OCEAN-2.0-APPLICATOR-E-090F140F



TE Part # 7-4150098-7
OCEAN_2.0_SPARE_PART_KIT-090F140F



TE Part # 91584-1
CCII MIC REC TAB 187 FASTON 20-14 ASSY

Also in the Series | **FASTON 187**



Crimp Terminal Housings(40)



Insertion & Extraction Tools(1)



Joints & Splices(1)



PCB Terminals(48)



Quick Disconnects(214)



Splices(1)

Customers Also Bought



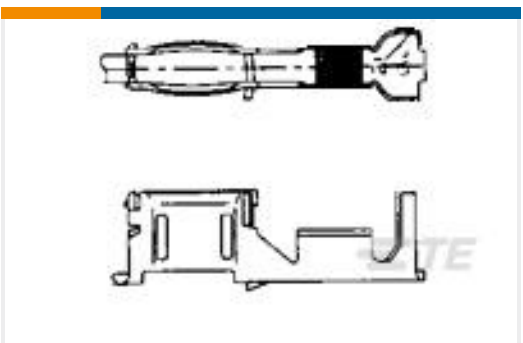
TE Part #170214-2
187 FASTON,REC.,24-20 AWG,TPBR



TE Part #41800
FASTON 250 REC FLAG 18-12 AWG
TPPB



TE Part #41802
FASTON 250 (6.3 MM) REC 18-12
AWG TPBR



TE Part #316292-1
3.2 CLUSTER REC L-TYPE



TE Part #1-2232567-2
GIC 2.5 W CAP HSG 2P RED



TE Part #1-2315883-2
GIC2.5W PLUG HOUSING 8POS (2-
ROW) RED



TE Part #60873-1
FASTON 250 FLAG REC 16-12 AWG
TPHBZ



TE Part #939540-1
U-BLOCK



TE Part #939543-1
GIB,STATIONARY



TE Part #939544-1
GIB,ADJUSTABLE

Documents



Product Drawings

[187 FASTON,REC.,18-14 AWG,TPBR](#)

Japanese

CAD Files

[3D PDF](#)

3D

Customer View Model

[ENG_CVM_CVM_170466-1_D.2d_dxf.zip](#)

English

Customer View Model

[ENG_CVM_CVM_170466-1_D.3d_igs.zip](#)

English

Customer View Model

[ENG_CVM_CVM_170466-1_D.3d_stp.zip](#)

English

By downloading the CAD file I accept and agree to the [Terms and Conditions](#) of use.

Product Specifications

[Application Specification](#)

English

[187 SERIES FASTON RECEPTACLE](#)

English

Product Environmental Compliance

[MD_170466-1_060520181157_dmtec](#)

English

[MD_170466-1_060520181157_dmtec](#)

English

Agency Approvals

[UL Report](#)

English

X-ON Electronics

Largest Supplier of Electrical and Electronic Components

Click to view similar products for [Terminals](#) category:

Click to view products by [TE Connectivity](#) manufacturer:

Other Similar products are found below :

[00-054007-01074-6](#) [00-054007-70206-1](#) [00-054007-70210-8](#) [00-054007-70217-7](#) [00-054007-70226-9](#) [00-054007-70228-3](#) [00-054007-70248-1](#) [00-054007-70256-6](#) [00-054007-70301-3](#) [00-054007-70316-7](#) [0-0320562-0](#) [00-054007-49560-4](#) [00-054007-70209-2](#) [00-054007-70225-2](#) [00-054007-70227-6](#) [00-054007-70231-3](#) [00-054007-70241-2](#) [00-054007-70242-9](#) [00-054007-70244-3](#) [00-054007-70246-7](#) [00-054007-70263-4](#) [00-054007-70288-7](#) [00-054007-70290-0](#) [00-054007-70300-6](#) [00-054007-70304-4](#) [01-2065-1-0216](#) [01-2900-1-04412](#) [00581P0075](#) [600TS-10](#) [60205-1](#) [604200-1](#) [605601-1](#) [60598-1-CUT-TAPE](#) [61314-6-C](#) [61810-3](#) [61-S](#) [61-SN](#) [626-0194](#) [62-NBM-A](#) [62-SN](#) [62-SP](#) [63-S](#) [640179-1](#) [M55155/059I03](#) [M55155/079C01](#) [M55155/099H02](#) [M55155/109H01](#) [M55155/109H02](#) [M55155/12XH05](#) [M55155/16XH02](#)