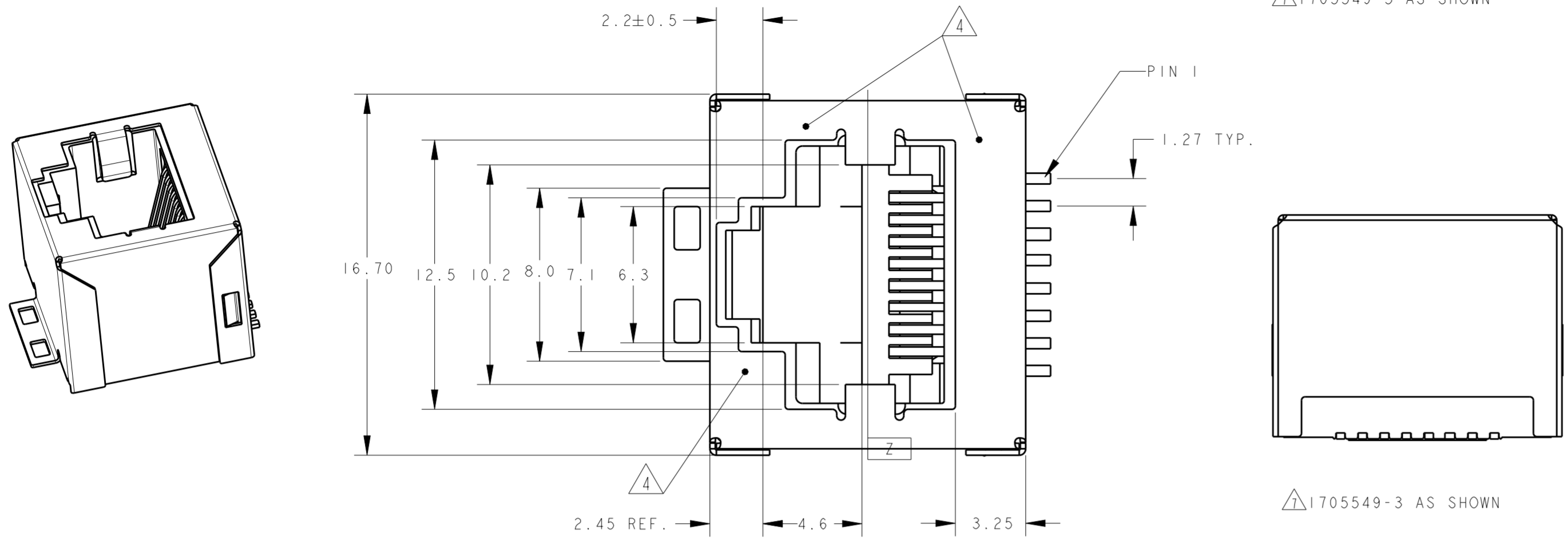
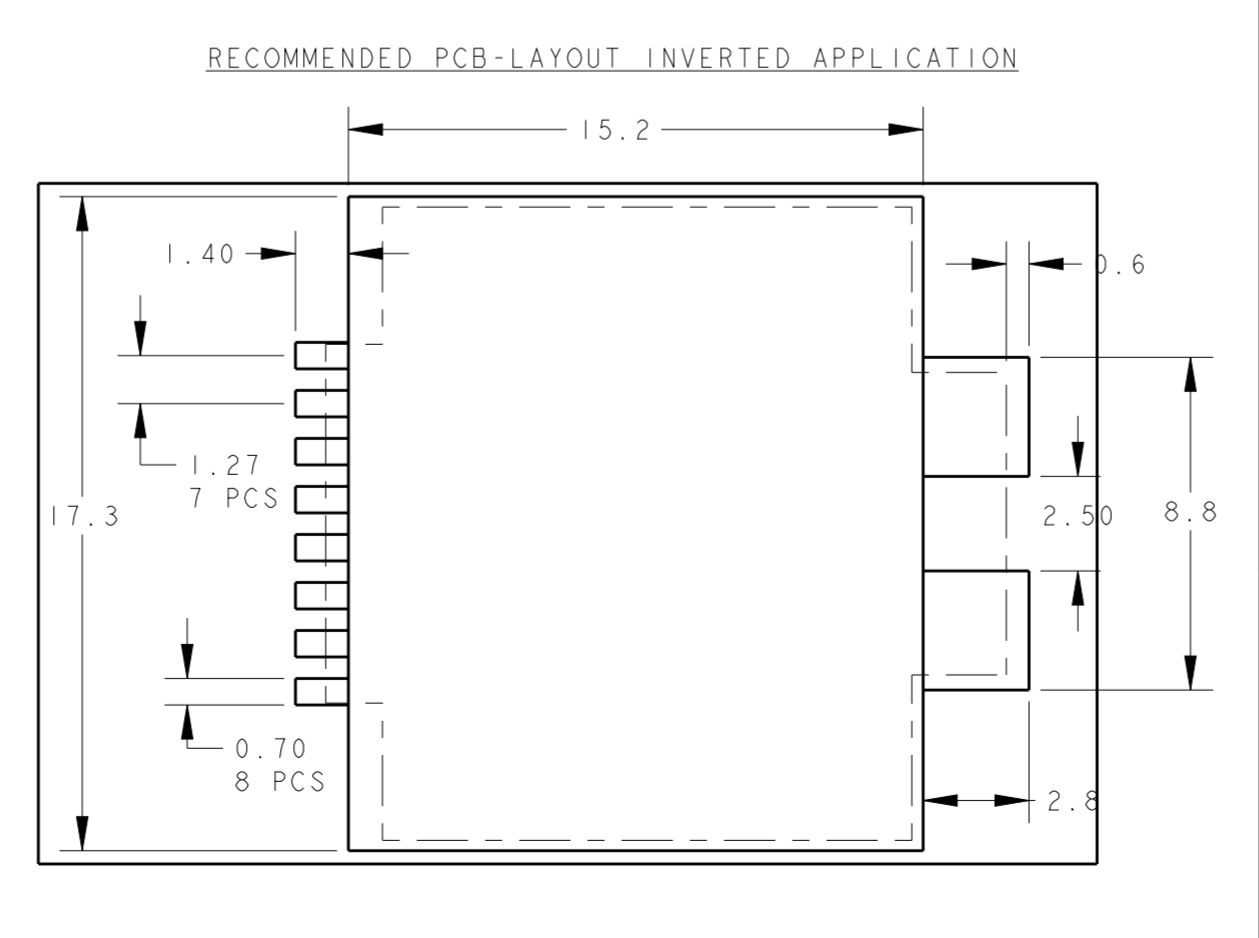
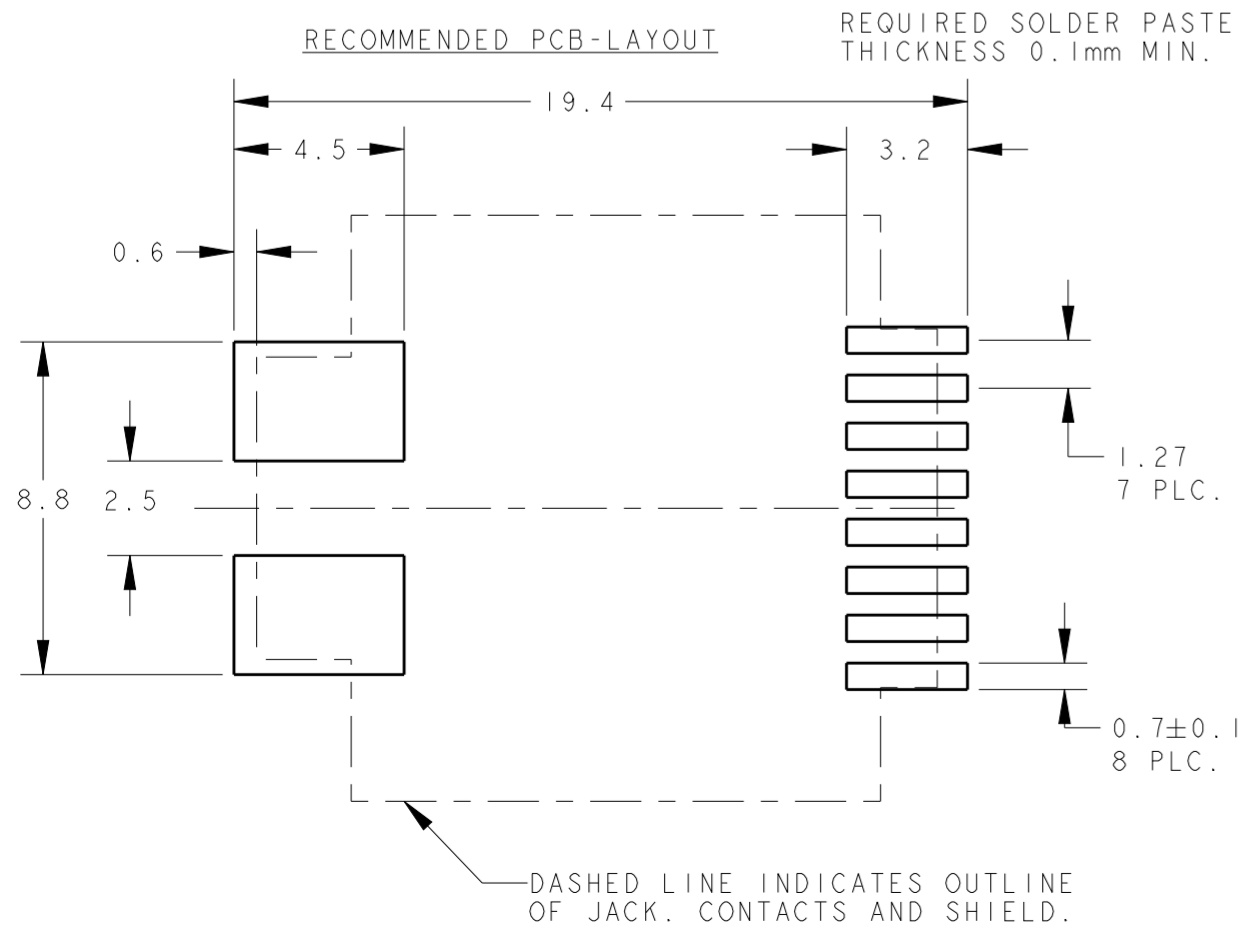
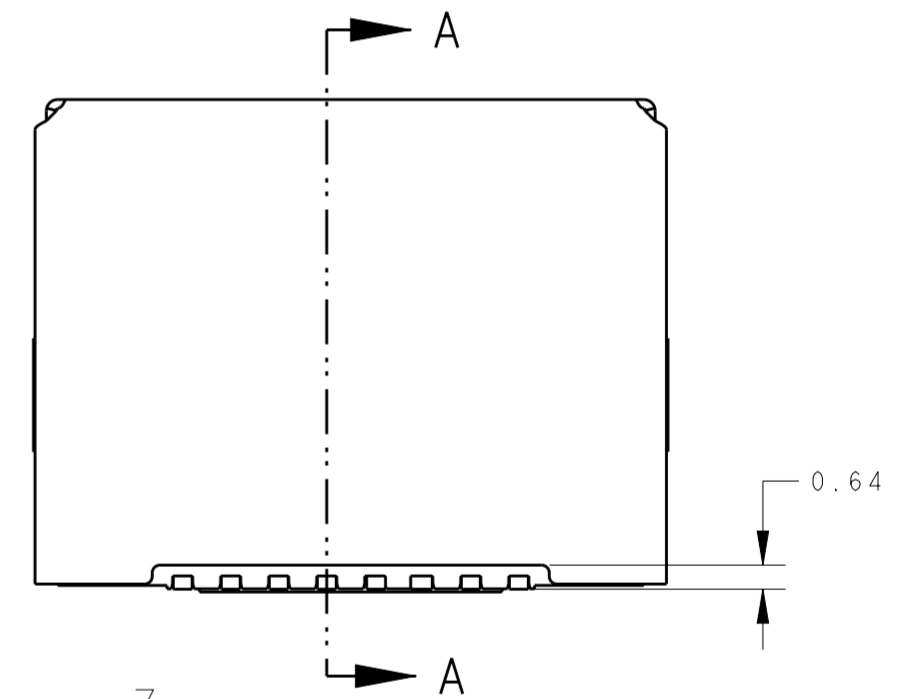
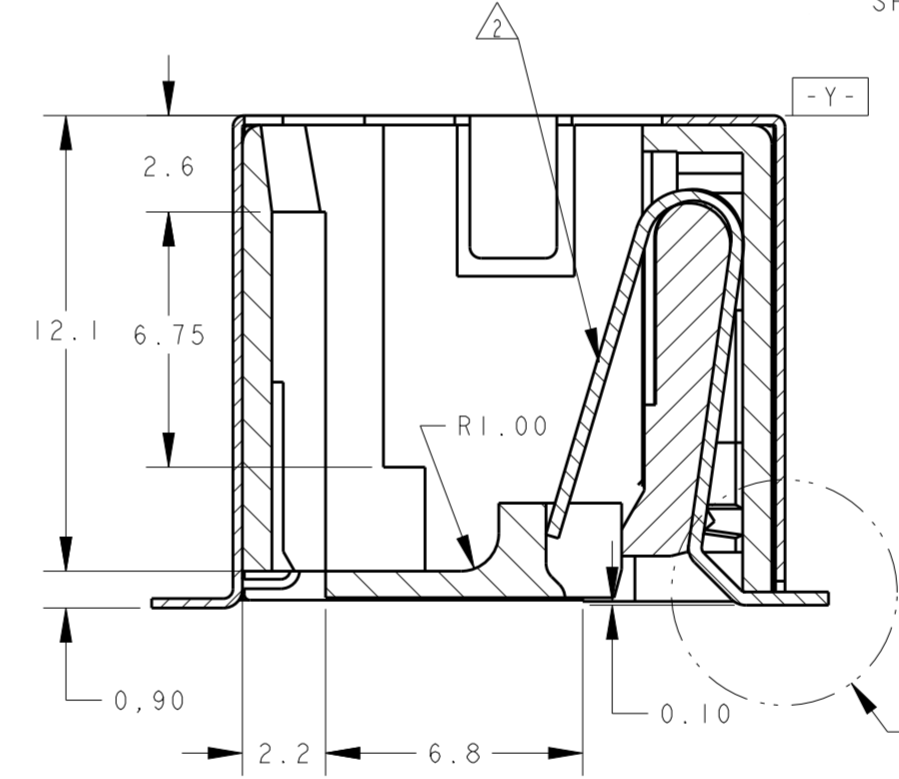
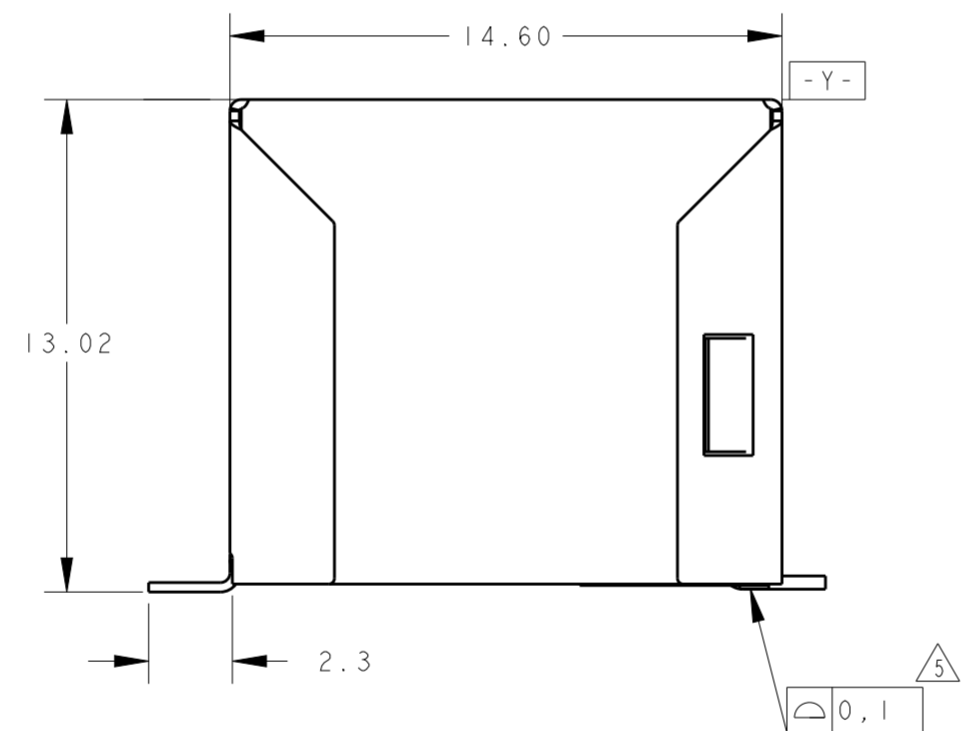
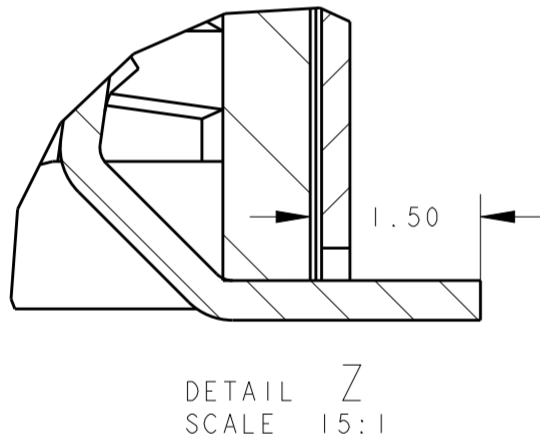


THIS DRAWING IS UNPUBLISHED. RELEASED FOR PUBLICATION 2011  
 © COPYRIGHT 2011 TE CONNECTIVITY ALL RIGHTS RESERVED.

LOC		DIST		REVISIONS			
P	LTR	DESCRIPTION	DATE	DWN	APVD		
H		ECR-11-021290	-	PS	RRP		
J		ECO-16-001320	13JUN2016	AD	SH		
L		ECO-18-000280	08JAN2018	AD	SH		



- NOTES:
- 1 TOLERANCES UNLESS OTHERWISE SPECIFIED: ±0,15
  - 2 CONTACT PLATING:  
 OVERALL: Ni 1.27µm MIN. ALL OVER THE CONTACTS  
 SOLDER ZONE: Sn 3.5-5.0µm ON THE SOLDER ZONE OF THE CONTACT  
 MATING ZONE: PLATING CONFORMS TO PRODUCT REQUIREMENTS AS PER SPECIFICATION 108-19117
  - 3 MATERIAL:  
 HOUSING: 30% G.F. PA 4T COLOR YELLOW, UL 94V-0  
 CONTACTS: PHOSPHOR BRONZE  
 SHIELD: TINPLATED BRASS
  - 4 SURFACE CAN BE USED FOR PICKING THE MODULAR JACK WITH TYPE II SMD MACHINE.
  - 5 MEASURED AT HEEL OF CONTACTS.  
 COPLANARITY AT TIPS MAX. 0,18 mm.
  - 6 TAPE AND REEL PACKING AS PER EIA 481-3
  - 7 MATERIAL:  
 HOUSING: 30% G.F. LCP COLOR BLACK, UL 94V-0  
 CONTACTS: PHOSPHOR BRONZE  
 SHIELD: TINPLATED BRASS



**OBSELETE**

1705549-1 AS SHOWN.

MATERIAL	COLOUR	PART NUMBER	SL NO.
7	BLACK	1705549-3	3
3	YELLOW	1705549-2	2
7	BLACK	1705549-1	1

THIS DRAWING IS A CONTROLLED DOCUMENT.

DWN: P. WILLEMS, 17 JUN 04  
 CHK: P. GROELS, 17 JUN 04  
 APVD: P. JAEGER

TE Connectivity  
**STE**

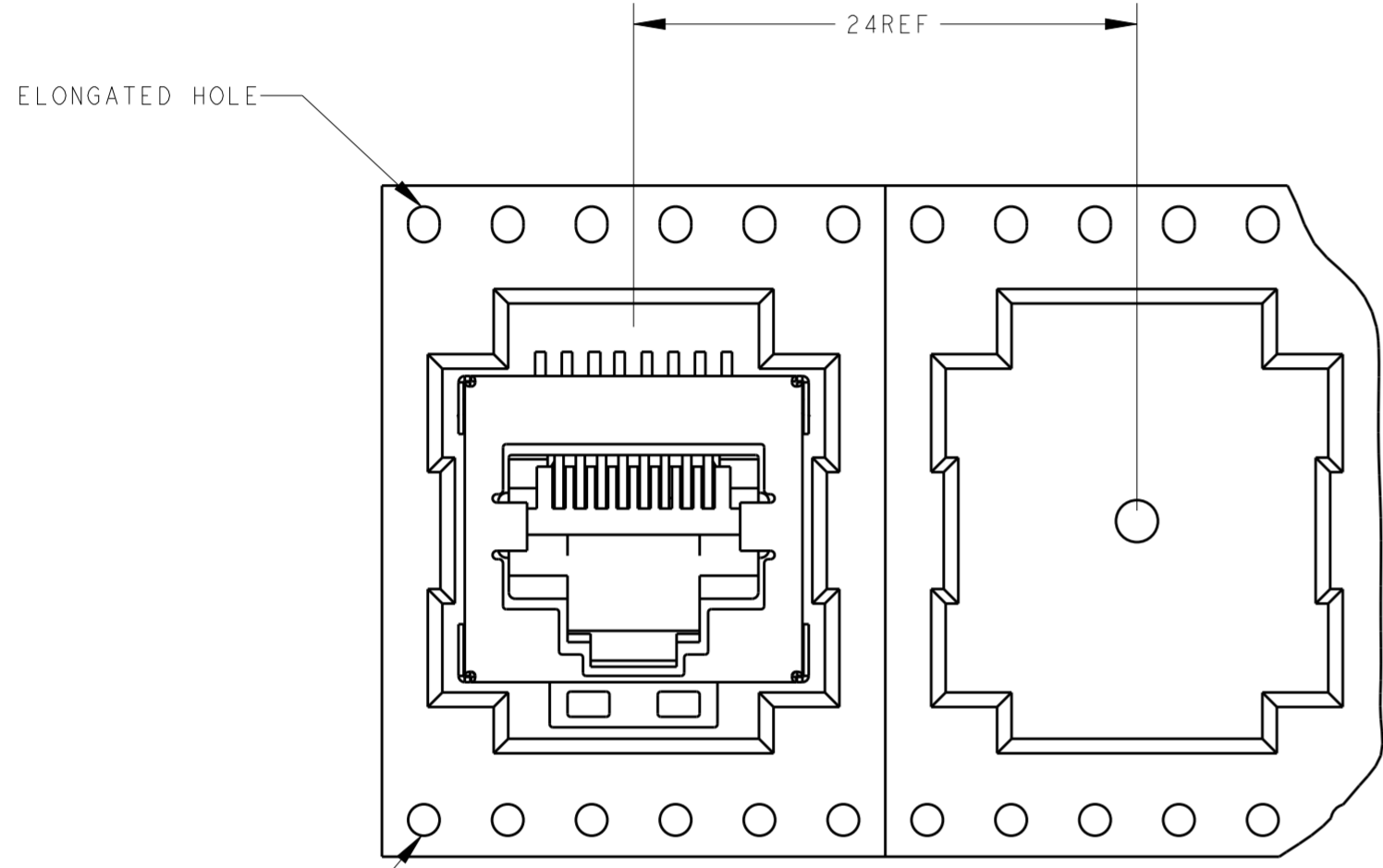
MODULAR JACK SMT, 8 POSITION

SIZE: A2 CAGE CODE: 0779 DRAWING NO: 1705549 RESTRICTED TO: L

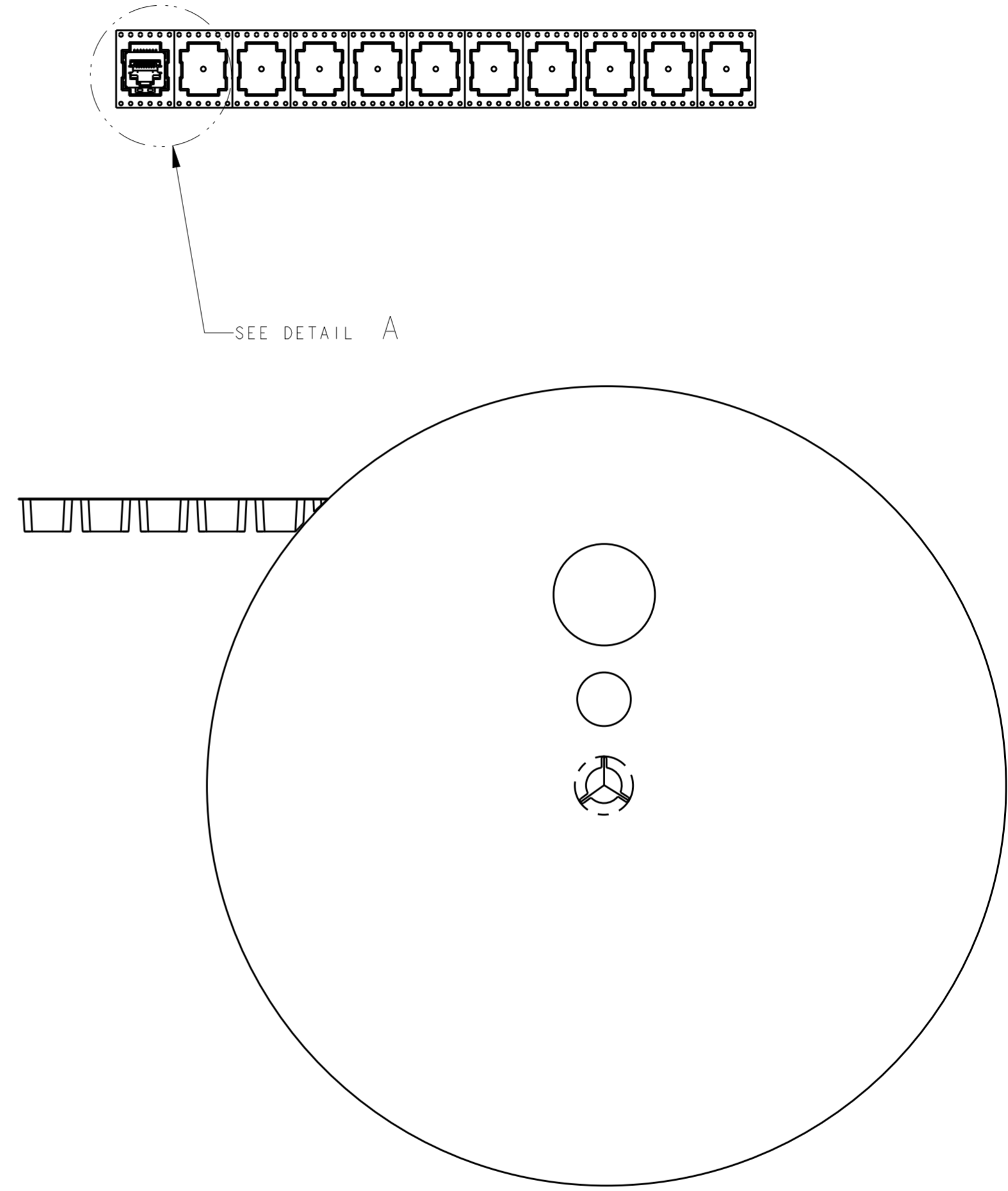
SCALE: 5:1 SHEET: 1 OF 2 REV: L

THIS DRAWING IS UNPUBLISHED. RELEASED FOR PUBLICATION 2011  
 © COPYRIGHT 2011 TE CONNECTIVITY ALL RIGHTS RESERVED.

LOC	DIST	REVISIONS			
P	LTR	DESCRIPTION	DATE	DWN	APVD
IR	-	SEE SHEET 1	-	-	-



DETAIL A  
SCALE 3:1



SCALE 1:2

THIS DRAWING IS A CONTROLLED DOCUMENT.		DWN P. WILLEMS 17 JUN 04	TE Connectivity	
		CHK P. GROELS 17 JUN 04		
DIMENSIONS: mm		APVD P. JAEGER	NAME MODULAR JACK SMT , 8 POSITION,	
TOLERANCES UNLESS OTHERWISE SPECIFIED:		PRODUCT SPEC	RESTRICTED TO	
0 PLC ±		APPLICATION SPEC	SIZE	CAGE CODE
1 PLC ±0.15		WEIGHT	DRAWING NO	
2 PLC ±0.05			A20779C-1705549	
3 PLC ±0.005			SCALE	SHEET
4 PLC ±			5:1	2 OF 2
ANGLES ±				REV
FINISH				L
MATERIAL		CUSTOMER DRAWING		

## X-ON Electronics

Largest Supplier of Electrical and Electronic Components

*Click to view similar products for [Modular Connectors / Ethernet Connectors](#) category:*

*Click to view products by [TE Connectivity](#) manufacturer:*

Other Similar products are found below :

[8949-H88/06BLKA/SN](#) [74441-0010/BKN](#) [MP1010RX-1000](#) [MP44RX-1000](#) [PHJ-4P4C-1-V-4](#) [PHP-6P6C-5](#) [GAX-3-66](#) [GAX-8-62](#) [GDCX-PA-66-50](#) [GDCX-PN-64](#) [GDCX-PN-66](#) [GDCX-PN-66-50](#) [GDLX-A-66](#) [GDLX-N-66](#) [GDLX-S-66](#) [GDLX-S-88K](#) [GDTX-S-88-50](#) [GDX-PA-1010](#) [GLX-N-1010M-BLK](#) [GLX-S-88M-BLK](#) [GMX-N-1010](#) [GMX-S-1010](#) [GMX-S-66](#) [GMX-SMT4-N-88](#) [GPX-2-64](#) [GSGX-N-2-88](#) [GSGX-N-4-88](#) [GSX-NS2-88-3.05](#) [GSX-NS2-88-3.05-50](#) [GSX-NS-88-3.05-50](#) [PT-108A-8C-UL](#) [PT-J951-8C](#) [PTS-J531-8CS-50UL](#) [1-1775629-2](#) [A-2014-0-4](#) [GWLX-S-88-GR](#) [GWLX-S9-88-YG](#) [DC-1021-8-WH-6](#) [1300530003](#) [1324640-4](#) [RJ11FTVC2G](#) [RJ11FTVC2N](#) [RJFTVX2SA1G](#) [132764-001](#) [1413235](#) [MP88X-1000](#) [MPS88RX-5000](#) [E5288-S000K3-L](#) [E5908-15A242-L](#) [155302-001](#)