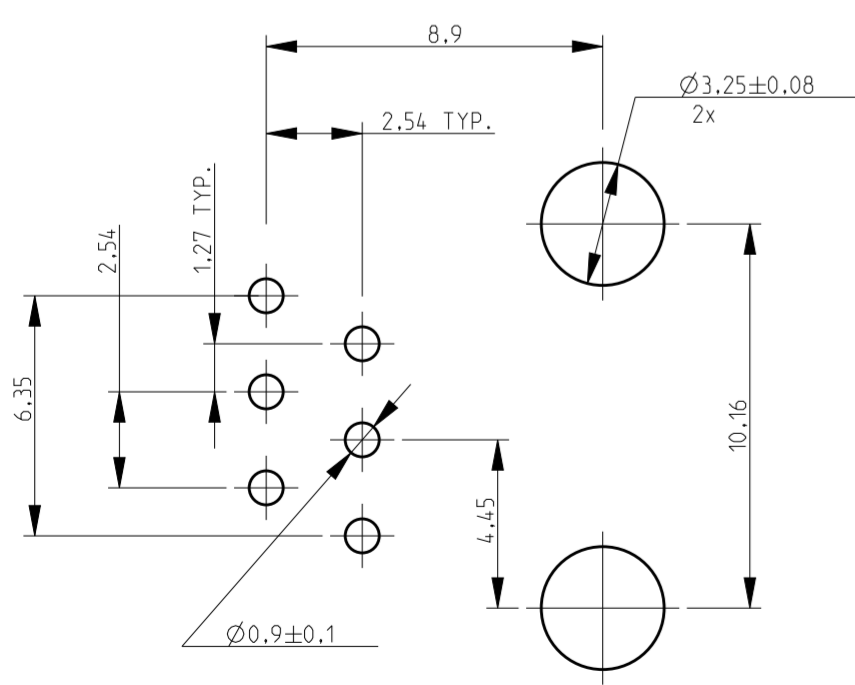
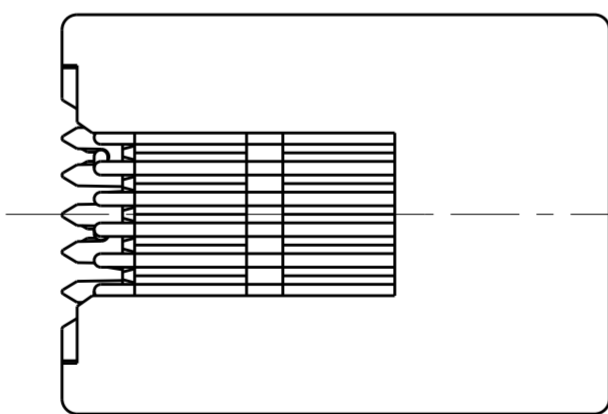
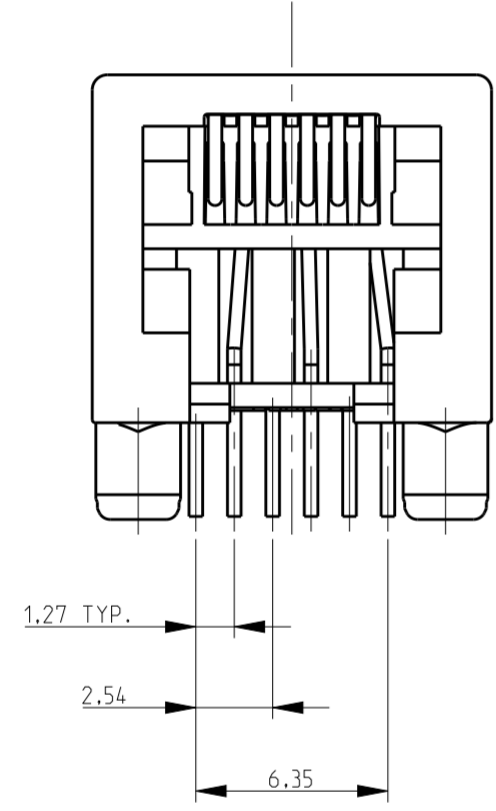
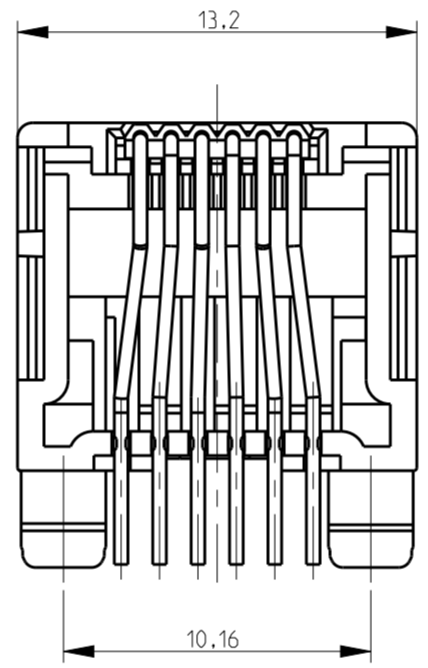
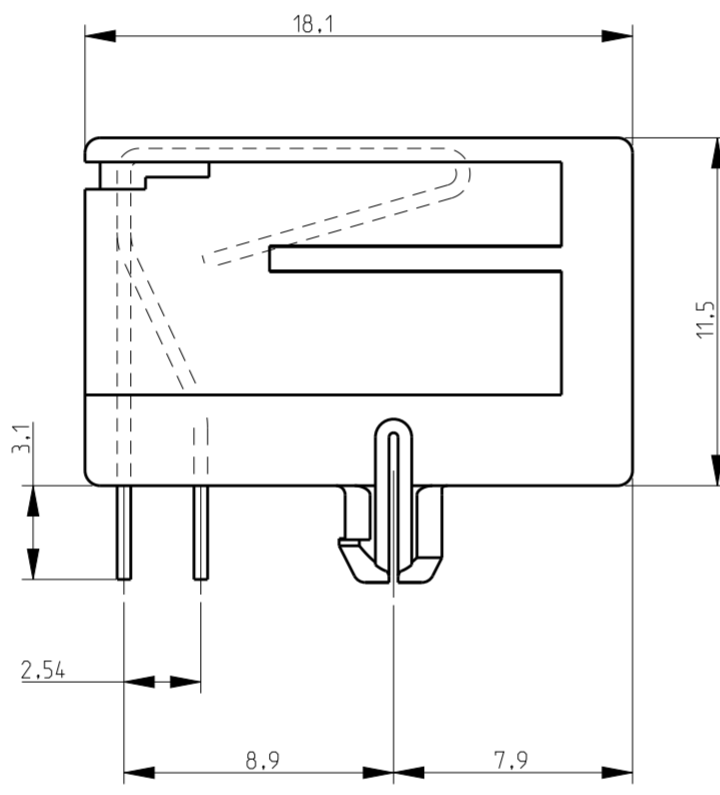
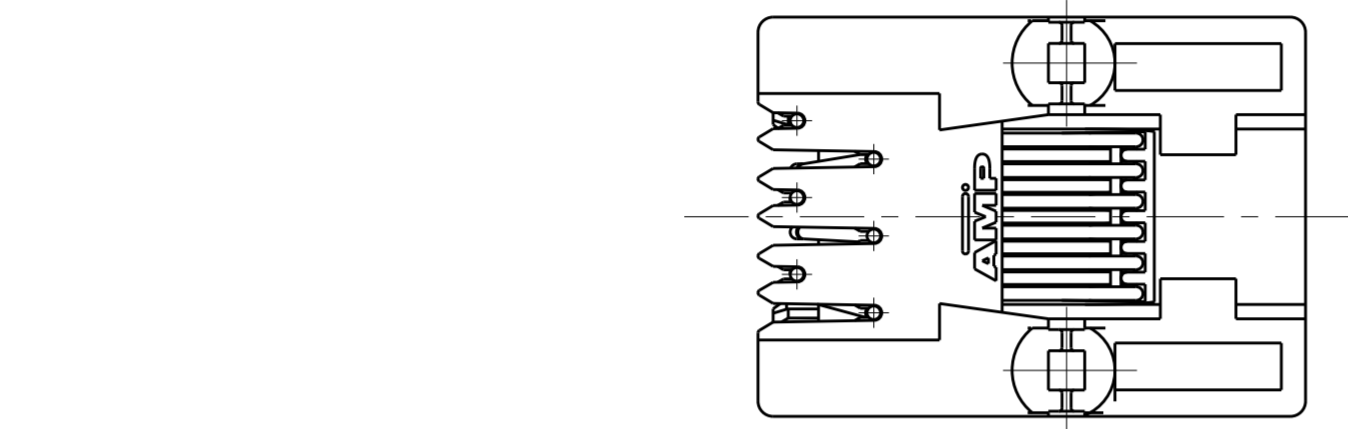


THIS DRAWING IS UNPUBLISHED. RELEASED FOR PUBLICATION 2000
 © COPYRIGHT 2000 ALL RIGHTS RESERVED.

LOC	DIST	REVISIONS					
		P	LTR	DESCRIPTION	DATE	DWN	APVD
IR	-	C		ECR-09-021454	29-09-09	PS	PCH
		C1		TE LOGO UPDATE	28APR11	RK	HMR
		C2		DURABILITY CYCLE UPDATED AFTER TESTING	26AUG11	PS	RRP
		D		ECO-17-017971	08DEC2017	AD	SH

- 1 SEE SHEET 2 FOR MODULAR JACK 6 POS./4 CONTACTS
- 2 FOR APPLICATION INFORMATION SEE SPEC. 114-19019.
- 3 TOLERANCES UNLESS OTHERWISE SPECIFIED: ± 0.15mm.
- 4 DURABILITY IS 200 CYCLES MAX ACCORDING TO TEST REPORT 502-19807 THIS WILL TAKE PRECEDENCE OVER THE PRODUCT SPECIFICATION.



PRINTED CIRCUIT BOARD LAYOUT (6 POS./6 CONTACTS)

VIEW SHOWN IS CIRCUIT (NONCOMPONENT) SIDE OF BOARD
 PRINTED CIRCUIT BOARD THICKNESS: 1.6 mm NOMINAL.
 TOLERANCES UNLESS OTHERWISE SPECIFIED: ± 0.05

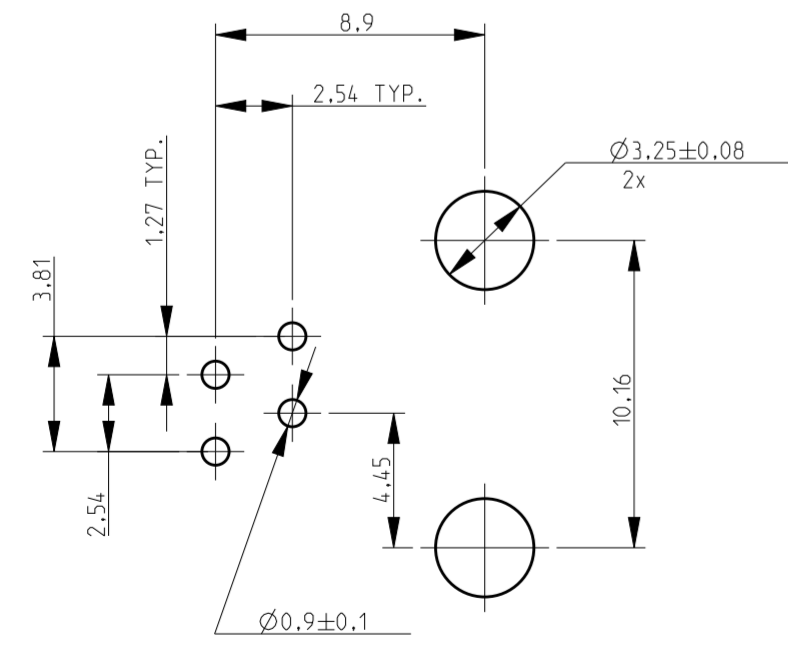
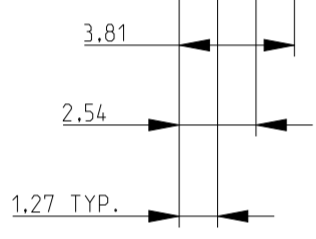
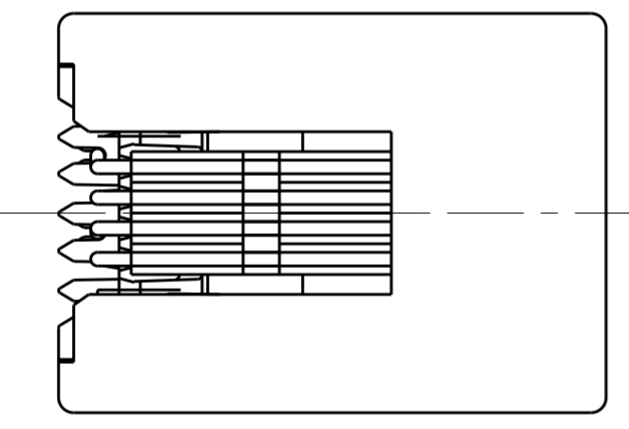
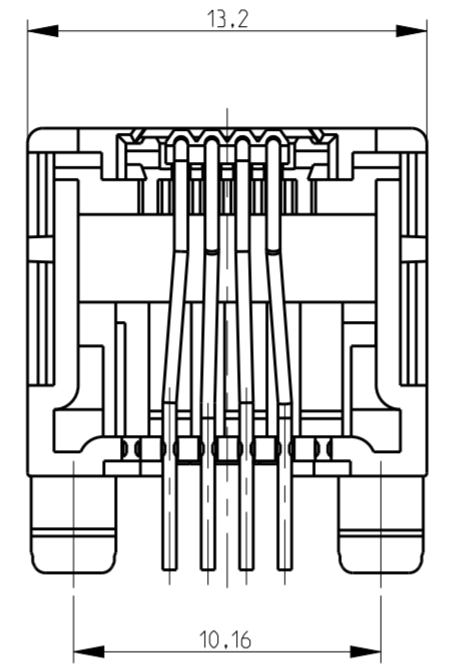
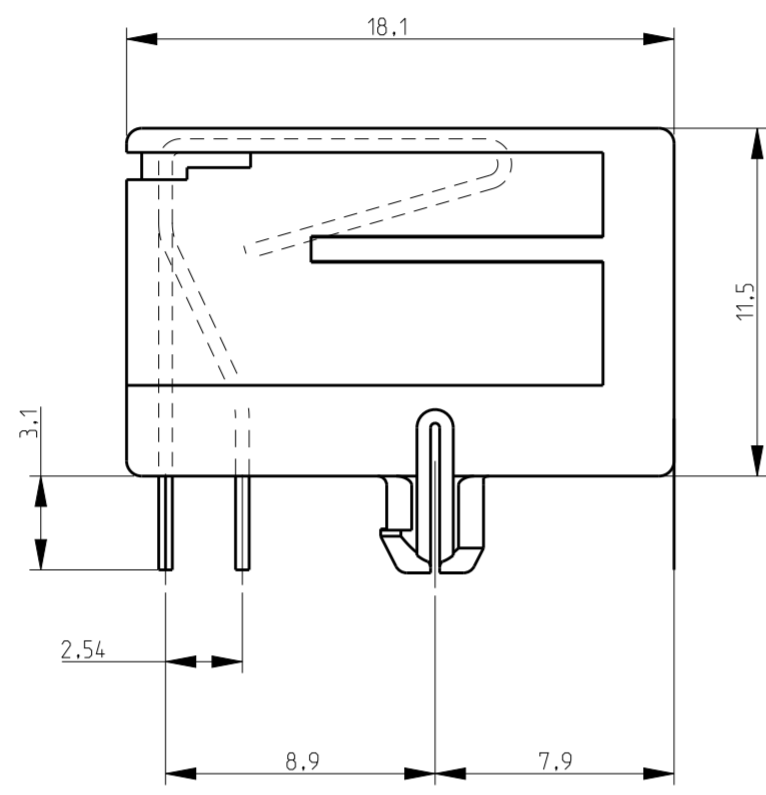
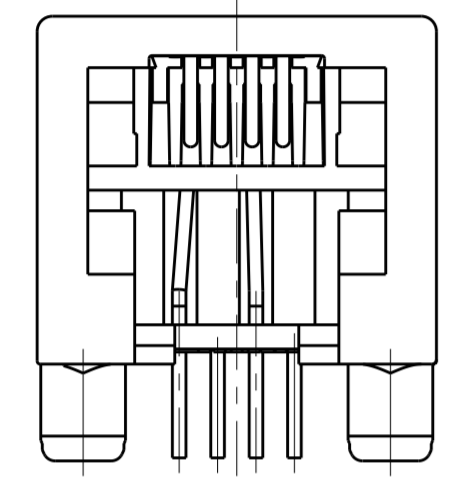
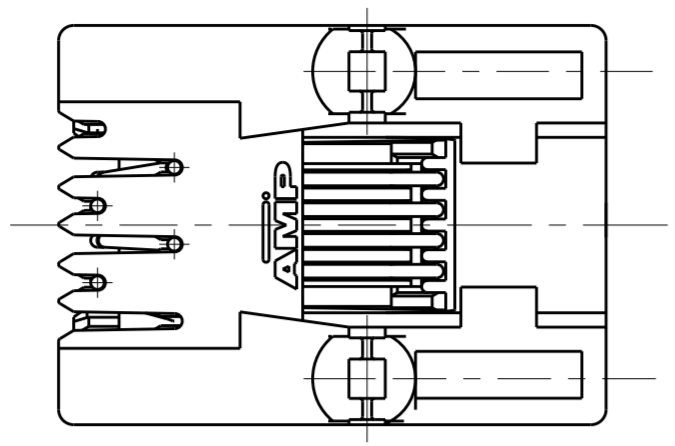
240 PIECES IN A TRAY	6 POS./6 CONTACTS.	IN CONTACT AREA: 0.15 µm MIN. SEL. GOLD OVER 1.2 µm MIN. NICKEL.	HOUSING COLOR BLACK PBT, UL 94 V-0	1-1705950-1
TAPE MOUNTED 800 PCS/REEL		SOLDER TINES: 2.5 µm MIN. TIN OVER 1.2 µm MIN. NICKEL.	CONTACT INSERT: PBT, UL 94 V-0	1705950-1
PACKAGING	REMARKS	FINISH	MATERIAL	P/N

THIS DRAWING IS A CONTROLLED DOCUMENT.

DIMENSIONS: mm	TOLERANCES UNLESS OTHERWISE SPECIFIED:	DWN: J.V.D.HEIJDEN 14FEB05	TE Connectivity NAME: MODULAR JACK, SIDE ENTRY, 6/6 FOR PRINTED CIRCUIT BOARD SIZE: A2 CAGE CODE: DRAWING NO: RESTRICTED TO:
	0 PLC ±	CHK: P.WILLEMS 14FEB05	
	1 PLC ±0.1	APVD: J.BROEKSTEEG 14FEB05	
	2 PLC ±0.03	PRODUCT SPEC: 108-19064	
	3 PLC ±0.005	APPLICATION SPEC: 114-19019	SCALE: 4:1 SHEET 1 OF 2 REV D
	4 PLC ±0.0010	WEIGHT: -	
MATERIAL: -	FINISH: -	CUSTOMER DRAWING	

THIS DRAWING IS UNPUBLISHED. RELEASED FOR PUBLICATION 2000
 © COPYRIGHT 2000 ALL RIGHTS RESERVED.

LOC	DIST	REVISIONS			
P	LTR	DESCRIPTION	DATE	DWN	APVD
IR	-	SEE SHEET 1	-	-	-



PRINTED CIRCUIT BOARD LAYOUT (6 POS./4 CONTACT)

[VIEW SHOWN IS (CIRCUIT (NONCOMPONENT) SIDE OF BOARD)
 PRINTED CIRCUIT BOARD THICKNESS: 1.6 mm NOMINAL.
 TOLERANCES UNLESS OTHERWISE SPECIFIED: ± 0.05.

- 1 SEE SHEET 1 FOR MODULAR JACK 6 POS./6 CONTACTS.
- 2 FOR APPLICATION INFORMATION SEE SPEC. 114-19019.
- 3 TOLERANCES UNLESS OTHERWISE SPECIFIED: ±0.15.
- 4 OBSOLETE
- 5. DURABILITY IS 200 CYCLES MAX ACCORDING TO TEST REPORT 502-19807 THIS WILL TAKE PRECEDENCE OVER THE PRODUCT SPECIFICATION.

4

OBSOLETE

OBSOLETE

PACKAGING	REMARKS	FINISH	MATERIAL	P/N
TAPE MOUNTED 800 PCS/REEL	6POS/ 4 CONTACTS	IN CONTACT AREA: 0.15 µm MIN. SEL. GOLD OVER 1.2 µm MIN. NICKEL	HOUSING COLOR YELLOW: PBT, UL 94 V-0 CONTACT INSERT: PBT, UL 94 V-0	1-1705950-3
240 PIECES IN A TRAY		SOLDER TINES: 2.5 µm MIN. TIN OVER 1.2 µm MIN. NICKEL	CONTACTS: Ph-BRONZE	
TAPE MOUNTED 800 PCS/REEL		IN CONTACT AREA: 0.15 µm MIN. SEL. GOLD OVER 1.2 µm MIN. NICKEL	HOUSING COLOR BLACK: PBT, UL 94 V-0 CONTACT INSERT: PBT, UL 94 V-0	1-1705950-2
		SOLDER TINES: 2.5 µm MIN. TIN OVER 1.2 µm MIN. NICKEL	CONTACTS: Ph-BRONZE	1705950-2
TAPE MOUNTED 800 PCS/REEL		IN CONTACT AREA: 0.15 µm MIN. SEL. GOLD OVER 1.2 µm MIN. NICKEL	HOUSING COLOR GREY: PBT, UL 94 V-0 CONTACT INSERT: PBT, UL 94 V-0	1705950-5
		SOLDER TINES: 2.5 µm MIN. TIN OVER 1.2 µm MIN. NICKEL	CONTACTS: Ph-BRONZE	
TAPE MOUNTED 800 PCS/REEL		HOUSING COLOR GREEN: PBT, UL 94 V-0 CONTACT INSERT: PBT, UL 94 V-0	CONTACTS: Ph-BRONZE	1705950-4

THIS DRAWING IS A CONTROLLED DOCUMENT.

DWN: J.V.D.HEIJDEN 14FEB05
 CHK: P.WILLEMS 14FEB05
 APVD: J.BROEKSTEGG 14FEB05

PRODUCT SPEC: 108-19064
 APPLICATION SPEC: 114-19019

NAME: MODULAR JACK, SIDE ENTRY, 6/6 FOR PRINTED CIRCUIT BOARD

SIZE: A2 CAGE CODE: - DRAWING NO: C-1705950 RESTRICTED TO: -

SCALE: 4:1 SHEET 2 OF 2 REV D

CUSTOMER DRAWING

X-ON Electronics

Largest Supplier of Electrical and Electronic Components

Click to view similar products for [Modular Connectors / Ethernet Connectors](#) category:

Click to view products by [TE Connectivity](#) manufacturer:

Other Similar products are found below :

[8949-H88/06BLKA/SN](#) [74441-0010/BKN](#) [MP1010RX-1000](#) [MP44RX-1000](#) [PHJ-4P4C-1-V-4](#) [PHP-6P6C-5](#) [GAX-3-66](#) [GAX-8-62](#) [GDCX-PA-66-50](#) [GDCX-PN-64](#) [GDCX-PN-66](#) [GDCX-PN-66-50](#) [GDLX-A-66](#) [GDLX-N-66](#) [GDLX-S-66](#) [GDLX-S-88K](#) [GDTX-S-88-50](#) [GDX-PA-1010](#) [GLX-N-1010M-BLK](#) [GLX-S-88M-BLK](#) [GMX-N-1010](#) [GMX-S-1010](#) [GMX-S-66](#) [GMX-SMT4-N-88](#) [GPX-2-64](#) [GSGX-N-2-88](#) [GSGX-N-4-88](#) [GSX-NS2-88-3.05](#) [GSX-NS2-88-3.05-50](#) [GSX-NS-88-3.05-50](#) [PT-108A-8C-UL](#) [PT-J951-8C](#) [PTS-J531-8CS-50UL](#) [1-1775629-2](#) [A-2014-0-4](#) [GWLX-S-88-GR](#) [GWLX-S9-88-YG](#) [DC-1021-8-WH-6](#) [1300530003](#) [1324640-4](#) [RJ11FTVC2G](#) [RJ11FTVC2N](#) [RJFTVX2SA1G](#) [132764-001](#) [1413235](#) [MP88X-1000](#) [MPS88RX-5000](#) [E5288-S000K3-L](#) [E5908-15A242-L](#) [155302-001](#)