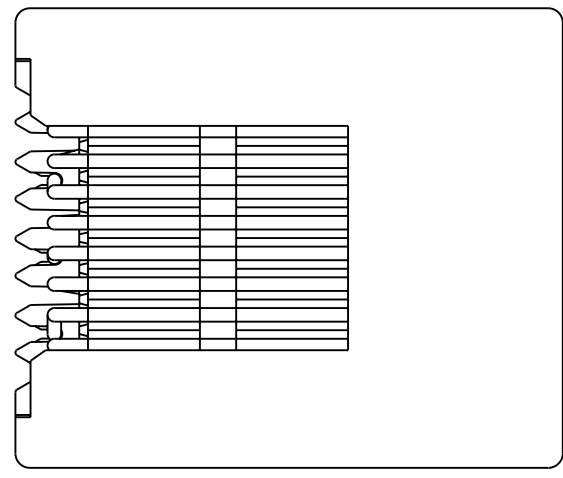
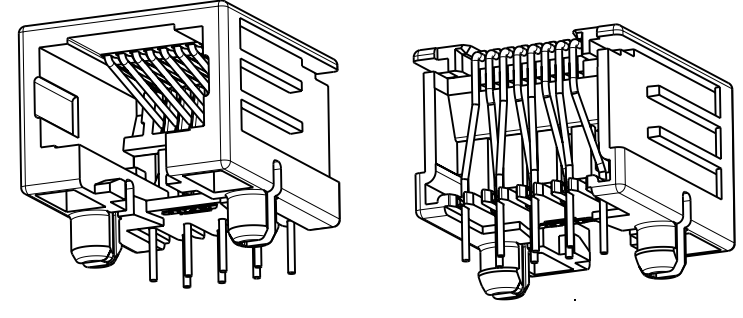
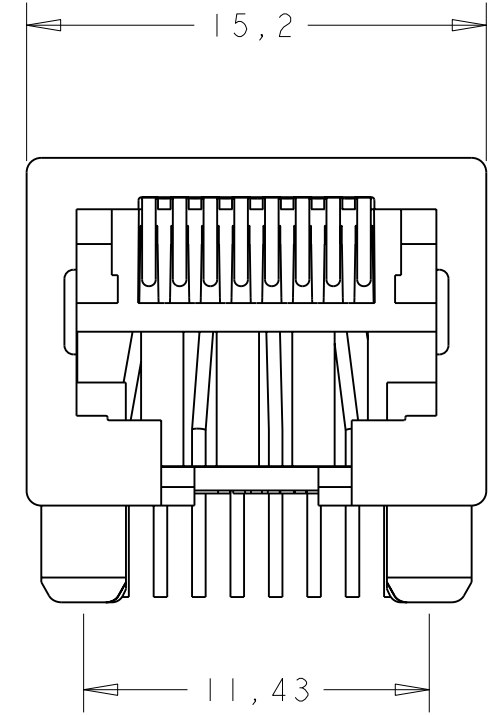
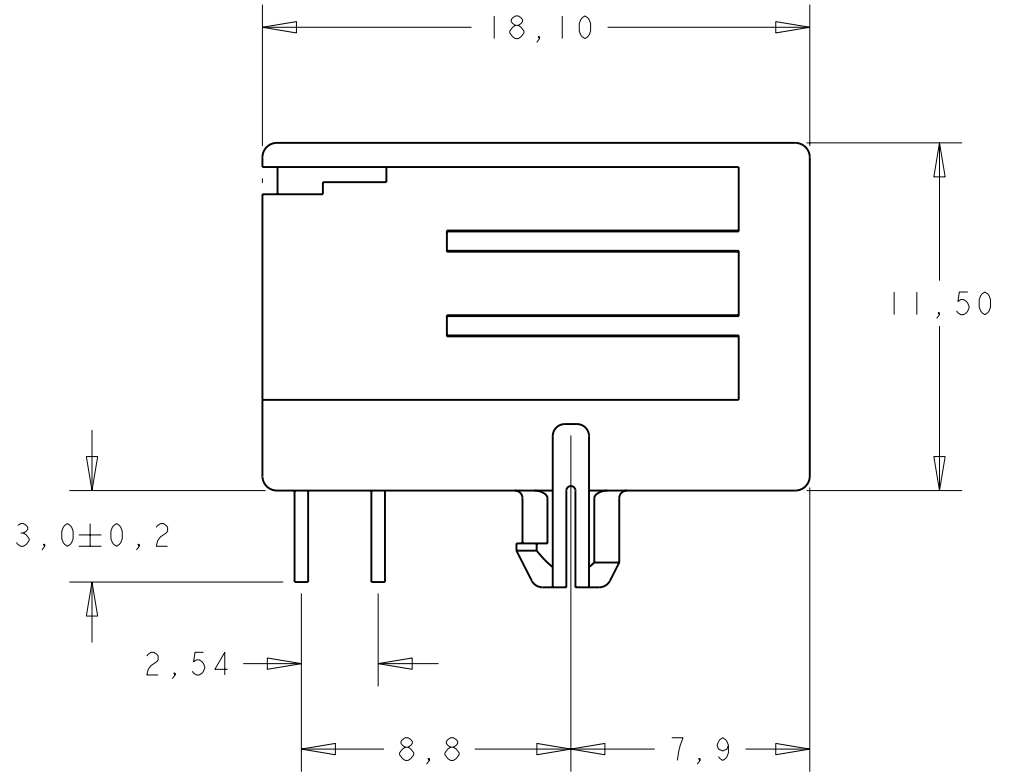
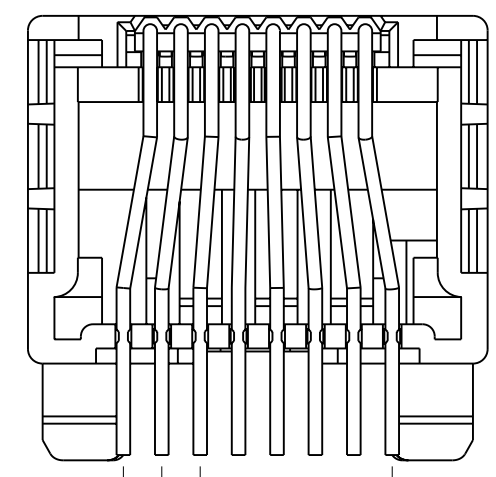


THIS DRAWING IS UNPUBLISHED. RELEASED FOR PUBLICATION  
 © COPYRIGHT 20 BY TE CONNECTIVITY ALL RIGHTS RESERVED.

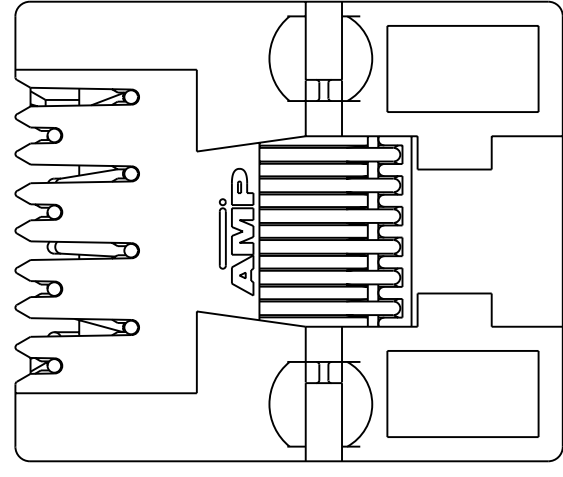
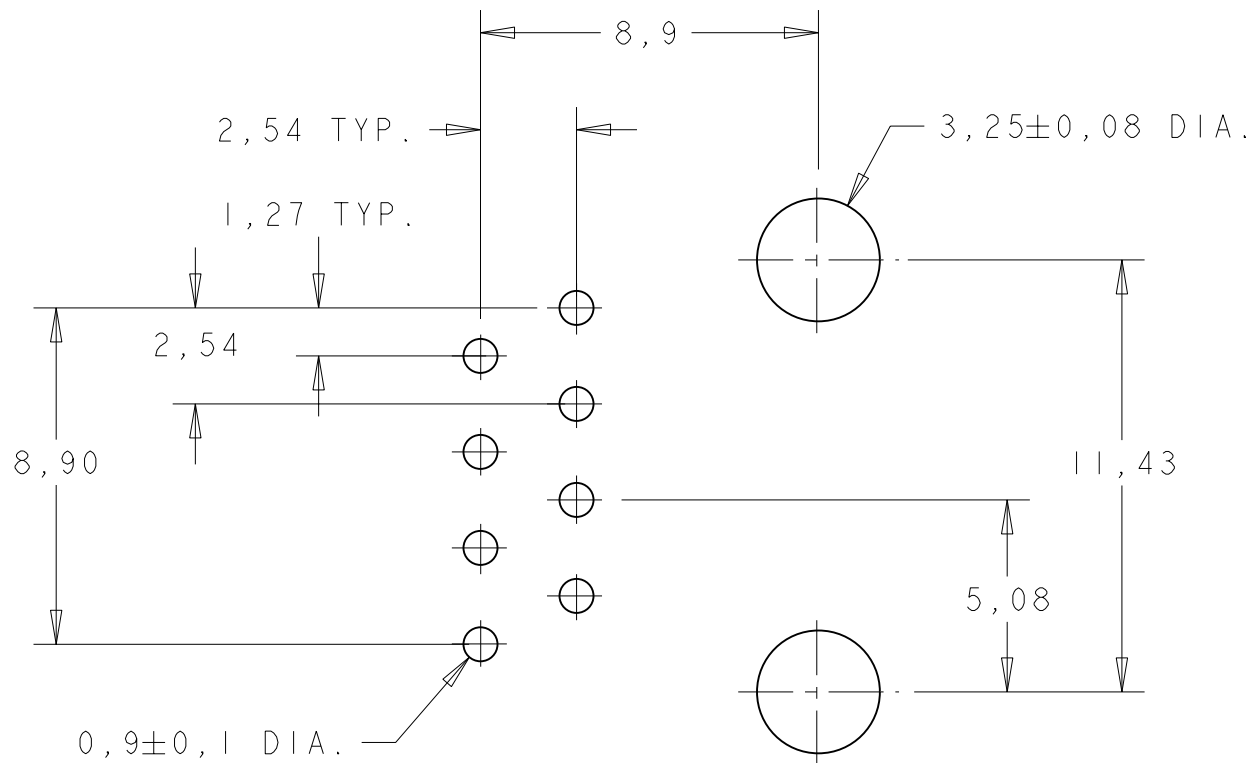
LOC	DIST	REVISIONS					
		P	LTR	DESCRIPTION	DATE	DWN	APVD
1R	-	B2	-	DURABILITY CYCLE UPDATED AFTER TESTING	26AUG2011	PS	RRP
-	-	-	-	-	-	-	-
-	-	-	-	-	-	-	-
-	-	-	-	-	-	-	-



**NOTE:**  
 1. TOLERANCE UNLESS OTHERWISE SPECIFIED:  $\pm 0,15$ .  
 2. DURABILITY IS 200 CYCLES MAX ACCORDING TO TEST REPORT 502-19807 THIS WILL TAKE PRECEDENCE OVER THE PRODUCT SPECIFICATION.



2,54  
 1,27 TYP.  
 8,9



200 PIECES IN A TRAY	8 POS./8 CONTACTS	IN CONTACT AREA: 0,15µm MIN. SEL. GOLD OVER 1,2µm MIN. NICKEL. SOLDER TINES: 2,5µm MIN. TIN OVER 1,2µm MIN. NICKEL.	HSG COLOR: GREY PBT. UL 94V-0	PBT. UL 94V-0	PH BRONZE	1705951-4
1000 PIECES IN A BOX			HSG COLOR: GREY PBT. UL 94V-0	PBT. UL 94V-0	PH BRONZE	1705951-3
1000 PIECES IN A BOX			HSG COLOR: BLACK PBT. UL 94V-0	PBT. UL 94V-0	PH BRONZE	1705951-2
200 PIECES IN A TRAY			HSG COLOR: BLACK PBT. UL 94V-0	PBT. UL 94V-0	PH BRONZE	1-1705951-1
TAPE MOUNTED 700 PCS./REEL			HSG COLOR: BLACK PBT. UL 94V-0	PBT. UL 94V-0	PH BRONZE	1705951-1
PACKAGING	FINISH	MATERIAL	HOUSING	CONTACT INSERT	CONTACTS	PART NUMBER

THIS DRAWING IS A CONTROLLED DOCUMENT.

DWN	J.V.D.HEIJDEN	TE Connectivity NAME MODULAR JACK SIDE ENTRY, 8 POS FOR PRINTED CIRCUIT BOARD	SIZE A260779	CAGE CODE C-1705951	DRAWING NO 1705951	RESTRICTED TO -					
CHK	P.WILLEMS										
APVD	J.BROEKSTEEG										
PRODUCT SPEC	108-19064										
APPLICATION SPEC	114-19019	WEIGHT	-	SCALE	5:1	SHEET	1	OF	1	REV	B2
MATERIAL	-	FINISH	-	CUSTOMER DRAWING							

**PRINTED CIRCUIT BOARD LAYOUT**  
 [VIEW SHOWN IS CIRCUIT (NONCOMPONENT) SIDE OF BOARD.]  
 PRINTED CIRCUIT BOARD THICKNESS: 1,6 mm NOMINAL.  
 TOLERANCE UNLESS OTHERWISE SPECIFIED:  $\pm 0,05$

## X-ON Electronics

Largest Supplier of Electrical and Electronic Components

*Click to view similar products for [Modular Connectors / Ethernet Connectors](#) category:*

*Click to view products by [TE Connectivity](#) manufacturer:*

Other Similar products are found below :

[8949-H88/06BLKA/SN](#) [74441-0010/BKN](#) [MP1010RX-1000](#) [MP44RX-1000](#) [PHJ-4P4C-1-V-4](#) [PHP-6P6C-5](#) [GAX-3-66](#) [GAX-8-62](#) [GDCX-PA-66-50](#) [GDCX-PN-64](#) [GDCX-PN-66](#) [GDCX-PN-66-50](#) [GDLX-A-66](#) [GDLX-N-66](#) [GDLX-S-66](#) [GDLX-S-88K](#) [GDTX-S-88-50](#) [GDX-PA-1010](#) [GLX-N-1010M-BLK](#) [GLX-S-88M-BLK](#) [GMX-N-1010](#) [GMX-S-1010](#) [GMX-S-66](#) [GMX-SMT4-N-88](#) [GPX-2-64](#) [GSGX-N-2-88](#) [GSGX-N-4-88](#) [GSX-NS2-88-3.05](#) [GSX-NS2-88-3.05-50](#) [GSX-NS-88-3.05-50](#) [PT-108A-8C-UL](#) [PT-J951-8C](#) [PTS-J531-8CS-50UL](#) [1-1775629-2](#) [A-2014-0-4](#) [GWLX-S-88-GR](#) [GWLX-S9-88-YG](#) [DC-1021-8-WH-6](#) [1300530003](#) [1324640-4](#) [RJ11FTVC2G](#) [RJ11FTVC2N](#) [RJFTVX2SA1G](#) [132764-001](#) [1413235](#) [MP88X-1000](#) [MPS88RX-5000](#) [E5288-S000K3-L](#) [E5908-15A242-L](#) [155302-001](#)