



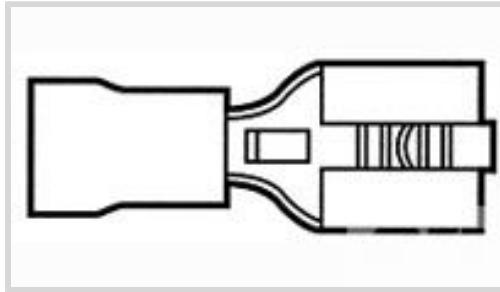
FASTON | FASTON 250

TE Part # 170603-2

TE Internal #: 170603-2

[View on TE.com >](#)

Terminals & Splices > Quick Disconnects



Terminal & Splice Type: **Receptacle**

Wire Size: .26 – .96 mm<sup>2</sup>

Mating Tab Width: 6.35 mm [ .25 in ]

Mating Tab Thickness: .81 mm [ .032 in ]

## Features

### Product Type Features

Wire Stop	No
Terminates To	Wire & Cable
Insertion Force	Normal
Sealable	No
Insulated	Yes

### Configuration Features

Connection Capacity	Single
---------------------	--------

### Electrical Characteristics

Voltage (Max)	300 V
---------------	-------

### Body Features

Insulation Material	Nylon
Fully Insulated	No
Plating Material	Tin

### Contact Features

Terminal Type	Receptacle
Terminal & Splice Type	Receptacle
Terminal Orientation	Straight
Contact Base Material	Phosphor Bronze
Crimp Type	Compression
Barrel Type	Closed



### Mechanical Attachment

Mating Retention Type	Dimple
Wire Insulation Support	With

### Dimensions

Accepts Wire Insulation Diameter Range	3.3 mm[.13 in]
Overall Length	20.2 mm[.795 in]
Wire Size	.26 – .96 mm <sup>2</sup>
Mating Tab Width	6.35 mm[.25 in]
Mating Tab Thickness	.81 mm[.032 in]

### Usage Conditions

Operating Temperature Range	105 °C[221 °F]
-----------------------------	----------------

### Packaging Features

Packaging Quantity	500
Packaging Method	Loose Piece

### Other

Barrel Color	Red
--------------	-----

### Product Compliance

[For compliance documentation, visit the product page on TE.com>](#)

EU RoHS Directive 2011/65/EU	Compliant
EU ELV Directive 2000/53/EC	Compliant
China RoHS 2 Directive MIIT Order No 32, 2016	No Restricted Materials Above Threshold
EU REACH Regulation (EC) No. 1907/2006	Current ECHA Candidate List: JAN 2019 (197) Candidate List Declared Against: JAN 2019 (197)
Halogen Content	Low Halogen - Br, Cl, F, I < 900 ppm per homogenous material. Also BFR/CFR/PVC Free
Solder Process Capability	Not applicable for solder process capability

#### Product Compliance Disclaimer

This information is provided based on reasonable inquiry of our suppliers and represents our current actual knowledge based on the information they provided. This information is subject to change. The part numbers that TE has identified as EU RoHS compliant have a maximum concentration of 0.1% by weight in homogenous materials for lead, hexavalent chromium, mercury, PBB, PBDE, DBP, BBP, DEHP, DIBP, and 0.01% for cadmium, or qualify for an exemption to these limits as defined in the Annexes of Directive 2011/65/EU (RoHS2). Finished electrical and electronic equipment products



will be CE marked as required by Directive 2011/65/EU. Components may not be CE marked. Additionally, the part numbers that TE has identified as EU ELV compliant have a maximum concentration of 0.1% by weight in homogenous materials for lead, hexavalent chromium, and mercury, and 0.01% for cadmium, or qualify for an exemption to these limits as defined in the Annexes of Directive 2000/53/EC (ELV). Regarding the REACH Regulations, TE's information on SVHC in articles for this part number is still based on the European Chemical Agency (ECHA) 'Guidance on requirements for substances in articles' (Version: 2, April 2011), applying the 0.1% weight on weight concentration threshold at the finished product level. TE is aware of the European Court of Justice ruling of September 10th, 2015 also known as O5A (Once An Article Always An Article) stating that, in case of 'complex object', the threshold for a SVHC must be applied to both the product as a whole and simultaneously to each of the articles forming part of its composition. TE has evaluated this ruling based on the new ECHA "Guidance on requirements for substances in articles" (June 2017, version 4.0) and will be updating its statements accordingly.

## Compatible Parts



REPRESENTATION ONLY

TE Part # 90035-3  
 DOUBLE ACTION HAND  
 TOOL PREM.

## Also in the Series | FASTON 250



Crimp Terminal Housings  
 (126)




Insulation Boots & Sleeves  
 (16)



Magnet Wire Terminals(1)



PCB Terminals(140)

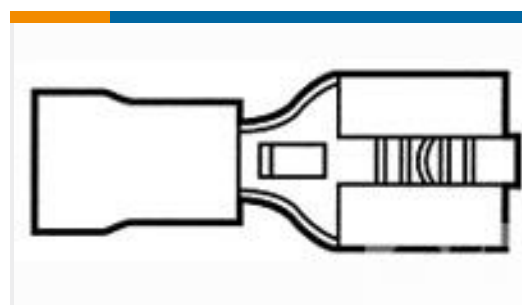


Quick Disconnects(468)



Splices(4)

## Customers Also Bought



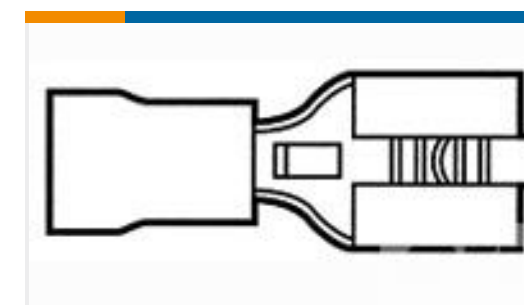
TE Part #170604-2  
PIDG 250 FASTON REC.  
(16-14)



TE Part #178325-3  
10-P POST HDR D-3100D  
VERT .76



TE Part #170924-1  
MNL 2 POS NATURAL PIN  
HSG



TE Part #170604-1  
.250 PIDG FASTON  
RECEPT



TE Part #178303-3  
6-P POST HDR HORZ D-  
3100D .76



TE Part #178326-3  
DYNAMIC DBL ROW HDR  
ASSY 12P V



TE Part #170121-4  
M-N-L SKT



TE Part #170923-1  
CMNL PLG 2P FREE HNG



TE Part #2-917659-5  
DYNAMIC 3200 D/ROW  
REC HSG 10P



TE Part #42806-2  
FASTON 250 14-18AWG  
TPBR

## Documents

### Product Drawings

[PIDG 250 FASTON REC.\(22-18\)](#)

Japanese

### CAD Files

Customer View Model

[ENG\\_CVM\\_CVM\\_170603-2\\_E.2d\\_dxf.zip](#)

English

3D PDF

3D

Customer View Model

[ENG\\_CVM\\_CVM\\_170603-2\\_E.3d\\_igs.zip](#)

English

Customer View Model

[ENG\\_CVM\\_CVM\\_170603-2\\_E.3d\\_stp.zip](#)

English

### Product Specifications

[Application Specification](#)



English

---

[Agency Approvals](#)

[UL Report](#)

English

## X-ON Electronics

Largest Supplier of Electrical and Electronic Components

*Click to view similar products for [Terminals](#) category:*

*Click to view products by [TE Connectivity](#) manufacturer:*

Other Similar products are found below :

[00-054007-01074-6](#) [00-054007-70206-1](#) [00-054007-70210-8](#) [00-054007-70217-7](#) [00-054007-70226-9](#) [00-054007-70228-3](#) [00-054007-70248-1](#) [00-054007-70256-6](#) [00-054007-70301-3](#) [00-054007-70316-7](#) [0-0320562-0](#) [00-054007-49560-4](#) [00-054007-70209-2](#) [00-054007-70225-2](#) [00-054007-70227-6](#) [00-054007-70231-3](#) [00-054007-70241-2](#) [00-054007-70242-9](#) [00-054007-70244-3](#) [00-054007-70246-7](#) [00-054007-70263-4](#) [00-054007-70288-7](#) [00-054007-70290-0](#) [00-054007-70300-6](#) [00-054007-70304-4](#) [01-2065-1-0216](#) [01-2900-1-04412](#) [00581P0075](#) [600TS-10](#) [60205-1](#) [604200-1](#) [605601-1](#) [60598-1-CUT-TAPE](#) [61314-6-C](#) [61810-3](#) [61-S](#) [61-SN](#) [626-0194](#) [62-NBM-A](#) [62-SN](#) [62-SP](#) [63-S](#) [640179-1](#) [M55155/059I03](#) [M55155/079C01](#) [M55155/099H02](#) [M55155/109H01](#) [M55155/109H02](#) [M55155/12XH05](#) [M55155/16XH02](#)