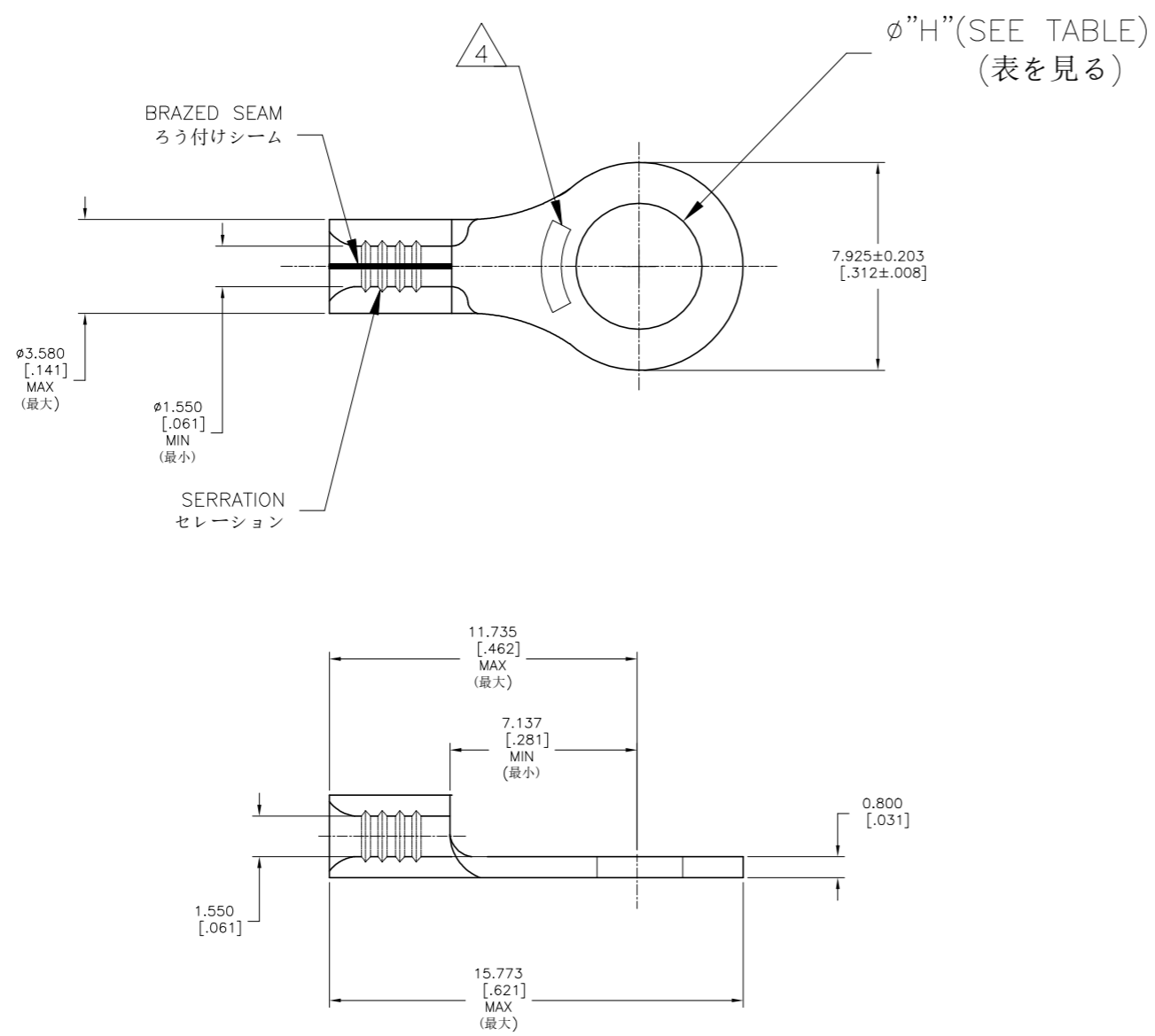


THIS DRAWING IS UNPUBLISHED. RELEASED FOR PUBLICATION
 © COPYRIGHT - TE Connectivity Ltd. ALL RIGHTS RESERVED.

REVISIONS				
P	LTR	DESCRIPTION	DATE	APVD
	P1	REDRAW PER ECO-19-001217	07MAY2019	RS DR



AMP WIRE RANGE	E13288 Listed
22-16 AWG SOLID OR STRANDED	22-16 AWG SOLID OR STRANDED

- 1. NOTE DELETED
1. メモが削除されました
- 2 MATERIAL: COPPER PER ASTM B152
2 材質: 銅パーASTM B152
- 3 PLATING 0.002540[.000100] MIN EXT THK PER ASTM B545
3 めっき0.002540[.000100] ASTM B545毎の最小EXT THK
- 4 STAMP AMP 22-18* APPROX AS SHOWN 22-16 TERMINALS ARE STAMPED 22-18 IN ACCORDANCE WITH MILITARY SPECIFICATION SAE AS7928, COMMERCIAL WIRE RANGE IS 22-16
4 スタンプアンプ22-18 *下図のように約22-16端子があります 軍事仕様に従って22-18の刻印 SAE AS7928、商用配線範囲は22-16です

	1000	LOOSE PIECE	5.207±0.076 [.205±.003]	5 MM	170721-2
OBSOLETE	-	-	4.394 ^{+0.100} _{-0.200} [.173 ^{+0.004} _{-.008}]	4 MM	170721-1
	QTY (数量)	PACKAGE TYPE (パッケージ型式)	ø"H"	STUD (スタッド)	PART NUMBER (部品番号)

AMP INCORPORATED
CUSTOMER SERVICE SYSTEMS

MAX RECOMMENDED OPERATING TEMPERATURE: 170°C [338°F] MAX

VOLTAGE RATING: NOT APPLICABLE

WIRE CROSS SECTIONAL AREA RANGE: 0.26-1.65mm² [509-3,260] CIR MILS STRANDED

FOR ADDITIONAL PRODUCT INFORMATION OR COPIES OF DRAWINGS AND TECHNICAL DOCUMENTS: PRODUCT INFORMATION CENTER 1-800-522-6752

FOR APPLICATION TOOLING INFORMATION: TOOLING ASSISTANCE CENTER 1-800-722-1111

FOR ORDER ENTRY: 1-800-526-5142

THIS DRAWING IS A CONTROLLED DOCUMENT FOR AMP INCORPORATED. IF IS SUBJECT TO CHANGE AND THE CONTROLLING ENGINEERING ORGANIZATION SHOULD BE CONTACTED FOR THE LATEST REVISION.

WIRE RANGE
 0.25-1.65 mm²
 (22-16 AWG)

THIS DRAWING IS A CONTROLLED DOCUMENT.		DWN 06MAY2019 RAVI.S
DIMENSIONS: mm [INCHES]		CHK 06MAY2019 ROHDE DANIEL F
TOLERANCES UNLESS OTHERWISE SPECIFIED:		APVD 06MAY2019 ROHDE DANIEL F
0 PLC ± -		PRODUCT SPEC
1 PLC ± -		UL 486 A-B
2 PLC ± -		APPLICATION SPEC
3 PLC ± 0.127[.005]		WEIGHT -
4 PLC ± -		CUSTOMER DRAWING
ANGLES ± -		SCALE 4:1
FINISH		SHEET 1 OF 1

TE TE Connectivity

NAME: WIRE TERMINAL SOLISTRAND, 22-16 AWG (ワイヤターミナルソリストランド)

SIZE: A3 CAGE CODE: 00779 DRAWING NO: 170721 RESTRICTED TO: -

REV P1

X-ON Electronics

Largest Supplier of Electrical and Electronic Components

Click to view similar products for [Terminals](#) category:

Click to view products by [TE Connectivity](#) manufacturer:

Other Similar products are found below :

[00-054007-01074-6](#) [00-054007-70206-1](#) [00-054007-70210-8](#) [00-054007-70217-7](#) [00-054007-70226-9](#) [00-054007-70228-3](#) [00-054007-70248-1](#) [00-054007-70256-6](#) [00-054007-70301-3](#) [00-054007-70316-7](#) [00-054007-49560-4](#) [00-054007-70209-2](#) [00-054007-70225-2](#) [00-054007-70227-6](#) [00-054007-70231-3](#) [00-054007-70241-2](#) [00-054007-70242-9](#) [00-054007-70244-3](#) [00-054007-70246-7](#) [00-054007-70263-4](#) [00-054007-70288-7](#) [00-054007-70290-0](#) [00-054007-70300-6](#) [00-054007-70304-4](#) [01-2065-1-0216](#) [01-2900-1-04412](#) [00581P0075](#) [600TS-10](#) [60205-1](#) [604200-1](#) [605601-1](#) [60598-1-CUT-TAPE](#) [61314-6-C](#) [61810-3](#) [61-S](#) [61-SN](#) [626-0194](#) [62-NBM-A](#) [62-SN](#) [62-SP](#) [63-S](#) [640179-1](#) [M55155/059I03](#) [M55155/079C01](#) [M55155/099H02](#) [M55155/109H01](#) [M55155/109H02](#) [M55155/12XH05](#) [M55155/16XH02](#) [M55155/29-5S](#)