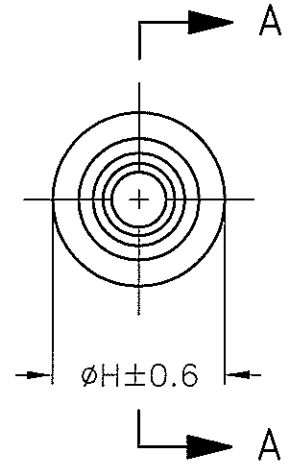
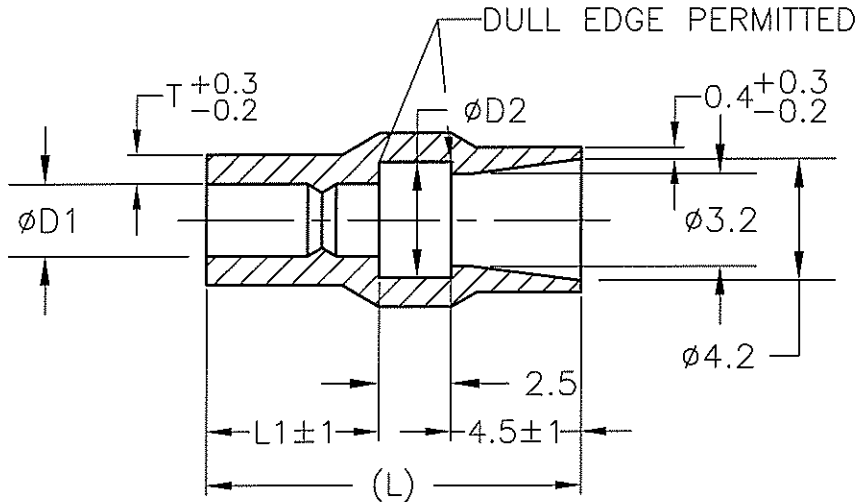


LOC	DIST	REVISIONS			DATE	DWN	APVD
J	—	P	LTR	DESCRIPTION	22MAR11	RK	HMR
		D2		REVISED PER ECO-11-005030			



1. 材質: SS-108 (一般)
2. 一般公差:  $\pm 0.5$
3. 適用製品規格は無し

A - A

△ 品川商工発行のカタログと本図で寸本図を優先する。

法が異なる場合は

1. MATERIAL: SS-108 (GENERAL)
  2. GENERAL TOLERANCE:  $\pm 0.5$
  3. APPLICABLE PRODUCT SPEC NOT AVAILABLE
- △ IN THE EVENT OF CONFLICT BETWEEN THE REQUIREMENTS OF THIS CUSTOMER DRAWING AND THE SHINAGAWA SHOKO CO LTD CATALOG THIS CUSTOMER DRAWING SHALL TAKE PRECEDENCE

△ OBSOLETE PARTS: OBSOLETE CIS STREAMLINING PER D.RENAUD/D.SINISI

X-170892-X	SEE 170892
X-170893-X	SEE 170893
X-170889-X	SEE 170889
X-170888-X	SEE 170888
X-170890-X	SEE 170890
X-170891-X	SEE 170891
X-170823-X	SEE 170823
PN	REMARK

△ OBSOLETE


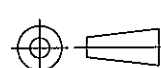
CLEAR	14	7	4.5	1.5	0.6	5.9	224215	<del>170887-5</del>
	13	6		3.5	0.7		224235	170887-4
	14	7		3.2			224232	170887-3
BLACK	13	6	4	2.5	5.4	224225B	170887-2	
CLEAR						224225	170887-1	
COLOR	L	L1	$\phi D2$	$\phi D1$	T	H	SHINAGAWA SHOKO PN	PN

RELEASED FOR PUBLICATION

ALL RIGHTS RESERVED.

THIS DRAWING IS UNPUBLISHED.

COPYRIGHT

DIMENSIONS: 単位: 耗 MM		DWN A.YAMAGUCHI 31 AUG 00	WIRE RANGE 抱合電線断面積		INSULATION DIA 被覆外径	
TOLERANCES UNLESS OTHERWISE SPECIFIED: 一般公差		CHK D.MATSUURA 31 AUG 00	MATERIAL 材料		FINISH 仕上	
0 PLC ± —		APVD K.BETSUI 31 AUG 00	 TE Connectivity			
1 PLC ± —		PRODUCT SPEC 製品規格				
2 PLC ± —		APPLICATION SPEC 取付適用規格	NAME 名称			
3 PLC ± —		WEIGHT	CONNECT SLEEVE FOR			
4 PLC ± —		CUSTOMER DRAWING	5DIA SERIES SHUR PLUG RECEPTACLE			
ANGLES ± —			SIZE	CAGE CODE	DRAWING NO 番号	RESTRICTED TO
			A4	00779	C-170887	—
			SCALE 尺度	4:1	SHEET 張	1 OF 1
					REV	D2

## X-ON Electronics

Largest Supplier of Electrical and Electronic Components

*Click to view similar products for [Terminals](#) category:*

*Click to view products by [TE Connectivity](#) manufacturer:*

Other Similar products are found below :

[00-054007-01074-6](#) [00-054007-70206-1](#) [00-054007-70210-8](#) [00-054007-70217-7](#) [00-054007-70226-9](#) [00-054007-70228-3](#) [00-054007-70248-1](#) [00-054007-70256-6](#) [00-054007-70301-3](#) [00-054007-70316-7](#) [00-054007-49560-4](#) [00-054007-70209-2](#) [00-054007-70225-2](#) [00-054007-70227-6](#) [00-054007-70231-3](#) [00-054007-70241-2](#) [00-054007-70242-9](#) [00-054007-70244-3](#) [00-054007-70246-7](#) [00-054007-70263-4](#) [00-054007-70288-7](#) [00-054007-70290-0](#) [00-054007-70300-6](#) [00-054007-70304-4](#) [01-2065-1-0216](#) [01-2900-1-04412](#) [00581P0075](#) [600TS-10](#) [60205-1](#) [604200-1](#) [605601-1](#) [60598-1-CUT-TAPE](#) [61314-6-C](#) [61810-3](#) [61-S](#) [61-SN](#) [626-0194](#) [62-NBM-A](#) [62-SN](#) [62-SP](#) [63-S](#) [640179-1](#) [M55155/059I03](#) [M55155/079C01](#) [M55155/099H02](#) [M55155/109H01](#) [M55155/109H02](#) [M55155/12XH05](#) [M55155/16XH02](#) [M55155/29-5S](#)