

THIS DRAWING IS UNPUBLISHED.

RELEASED FOR PUBLICATION

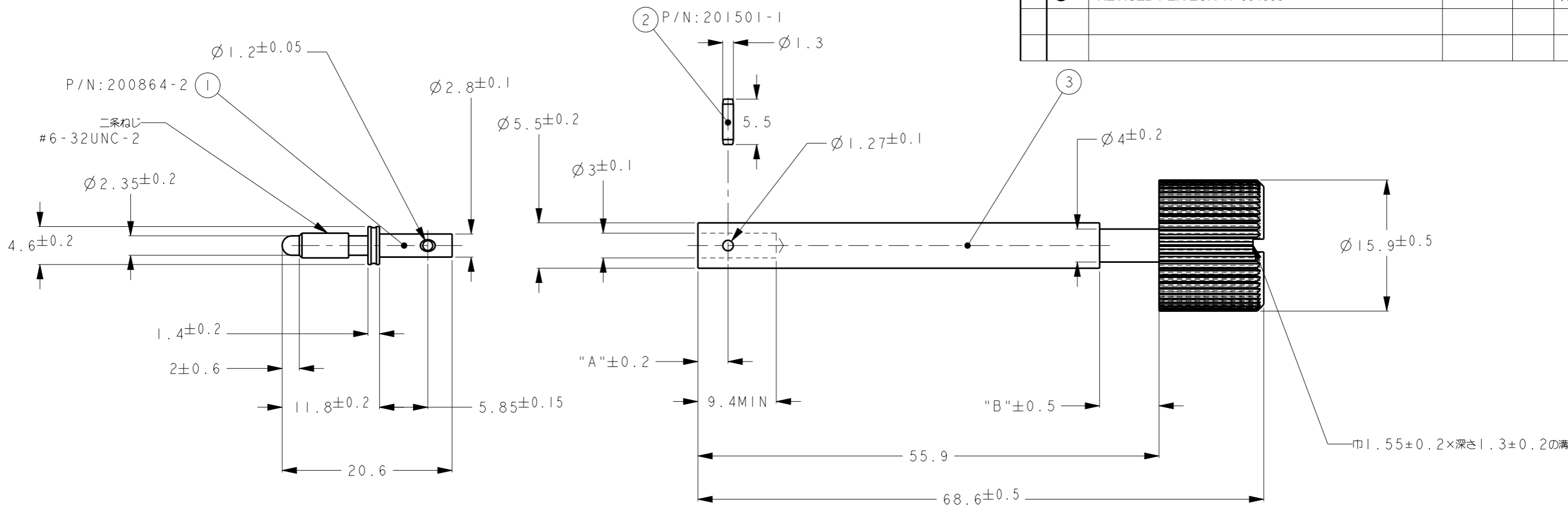
20

© COPYRIGHT 20 BY - ALL RIGHTS RESERVED.

LOC - DIST -

REVISIONS

P	LTR	DESCRIPTION	DATE	DWN	APVD
F		REVISED (REDRAW)	16APR2013	T.N	N.Y
G		REVISED PER ECR-17-004338	18APR17	C.L	N.Y



1. TO PREVENT THREAD STRIPPING, SCREW TORQUE SHOULD NOT EXCEED 12kg-cm Max
 2. SIMILAR P/N 202643-3

OBSOLETE										
7-3	7-2	7-1	-3	2	-1					TABLE 1
PART NO.										ITEM
1	-	-	-	-	-	1.8	7.2	BRASS, Ni PLATED	JACK-SCREW BODY	③
-	1	-	-	-	-	2.6	26.0	BRASS, Ni PLATED	JACK-SCREW BODY	③
-	-	1	-	-	-	3.65	7.2	BRASS, Ni PLATED	JACK-SCREW BODY	③
-	-	-	1	-	-	1.8	7.2	BRASS, TIN PLATED	JACK-SCREW BODY	③
-	-	-	-	1	-	2.6	26.0	BRASS, TIN PLATED	JACK-SCREW BODY	③
-	-	-	-	-	1	3.65	7.2	BRASS, TIN PLATED	JACK-SCREW BODY	③
1	1	1	1	1	1	-	-	STAINLESS STEEL ORGANIC COATING	JACK-SCREW PIN	②
1	1	1	1	1	1	-	-	STAINLESS STEEL ORGANIC COATING	JACK-SCREW TIP	①
QTY						"A"	"B"	MATERIAL&FINISH	NAME	ITEM

THIS DRAWING IS A CONTROLLED DOCUMENT.		DWN T. NAGASAKI 16APR2013	TE Connectivity		
DIMENSIONS: mm		CHK S. YAMADA 16APR2013			
TOLERANCES UNLESS OTHERWISE SPECIFIED:		APVD N. YAMASAKI 16APR2013	NAME JACK-SCREW MALE EXTRA-LONG M SERIES		
0 PLC ± 1 PLC ± 2 PLC ± ±0.4 3 PLC ± 4 PLC ± ANGLES ±1°		PRODUCT SPEC -	RESTRICTED TO -		
MATERIAL -		APPLICATION SPEC -	SIZE A3	CAGE CODE 00779	DRAWING NO C-170994
FINISH -		WEIGHT -	SCALE 2:1 SHEET 1 OF 1 REV G		
Customer Drawing					

X-ON Electronics

Largest Supplier of Electrical and Electronic Components

Click to view similar products for [Rack & Panel Connectors](#) category:

Click to view products by [TE Connectivity](#) manufacturer:

Other Similar products are found below :

[00170420102](#) [00171420202](#) [00171440002](#) [008026165000265](#) [00-8219-072-000-112P44](#) [008219072000112P5](#) [02-014-013-5200-000](#) [613467-000](#) [CTJ112E01E-513](#) [CTJ116E03A-513](#) [M81714/63-22S L/C](#) [M81714/65-12-1](#) [66020-2](#) [CW8958-000](#) [699886-000](#) [D250-50632](#)
[70.400.3240.0](#) [70.955.2453.3](#) [733753-000](#) [F22831-000](#) [780-522-DPX34RG8-02](#) [MMA25-0341D1](#) [8660-501](#) [87.060.0053.0](#) [900709N001](#)
[QRP4-12P-C\(01\)](#) [QR/P6-6S-C\(01\)](#) [AC-600003-004](#) [1218600-1](#) [D-659-0061](#) [DMC-MD 24 C-T](#) [1-445717-6](#) [1484398-2](#) [1484399-2](#) [1484469-2](#) [MR-34MG](#) [1484225-1](#) [1484398-1](#) [1604997-2](#) [1663130-1](#) [1663767-7](#) [1663767-8](#) [MTC100-BF1-P31CS015](#) [MTC100-KT2-0083](#) [MTC100-KT2-0123-003](#) [MTC100-YA1-005](#) [MTCB1X-105-XXX](#) [MTCPQKT1P2PGDC](#) [MTCPQKT1R2PGCA](#) [MTCR-103-04S](#)