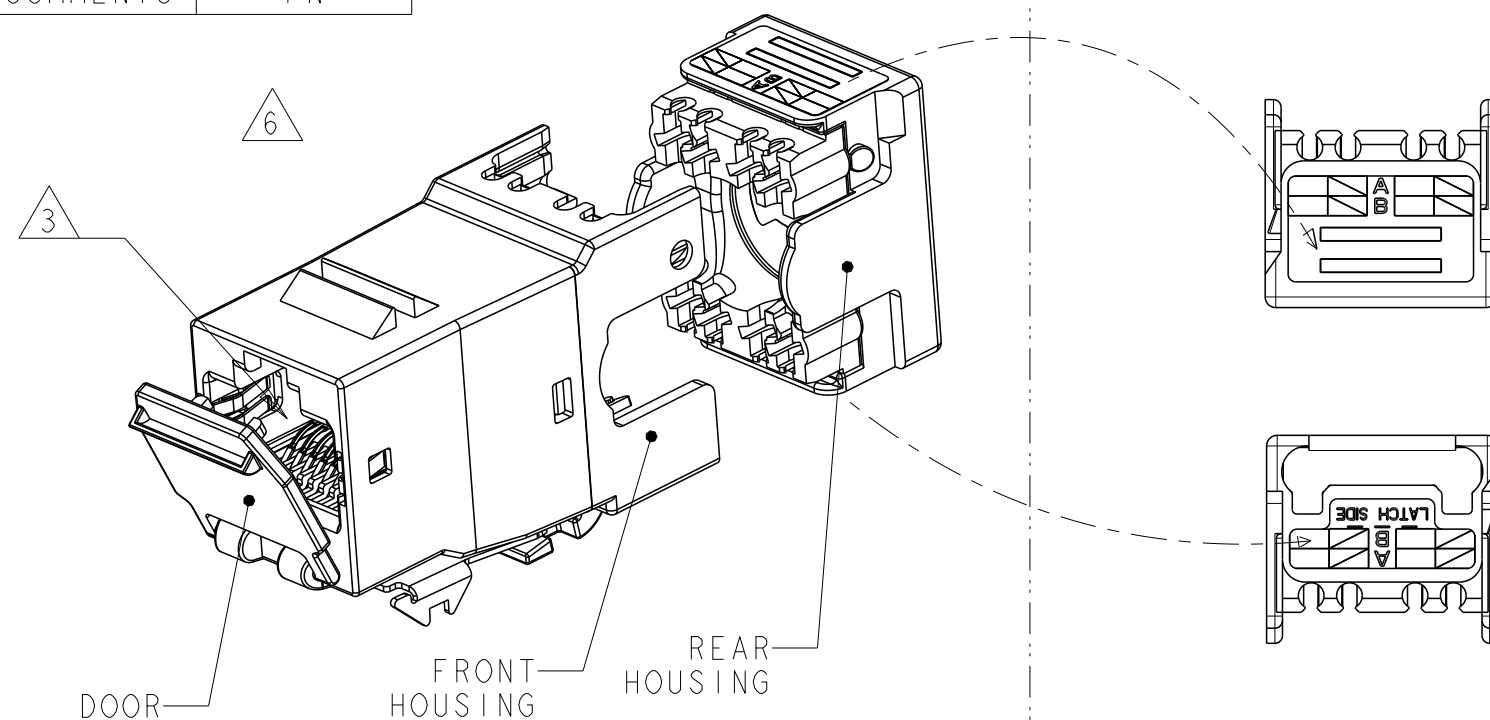


AS SHOWN	1711160-1
COMMENTS	PN

GENERAL VIEW

COLOUR CODING / LABELS

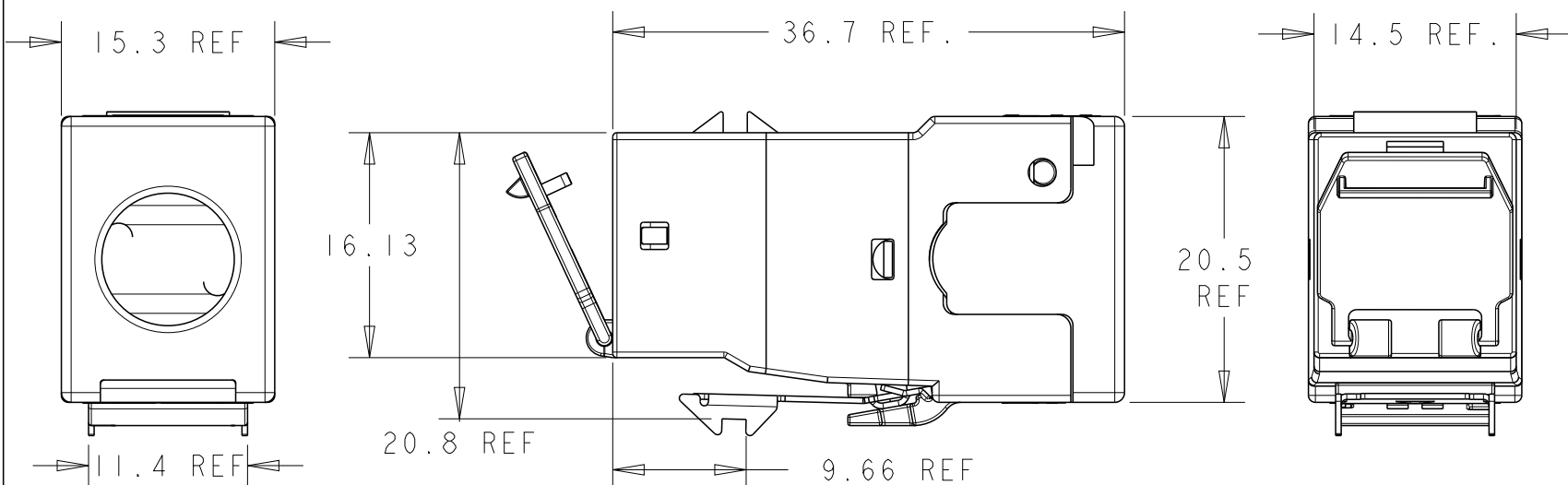
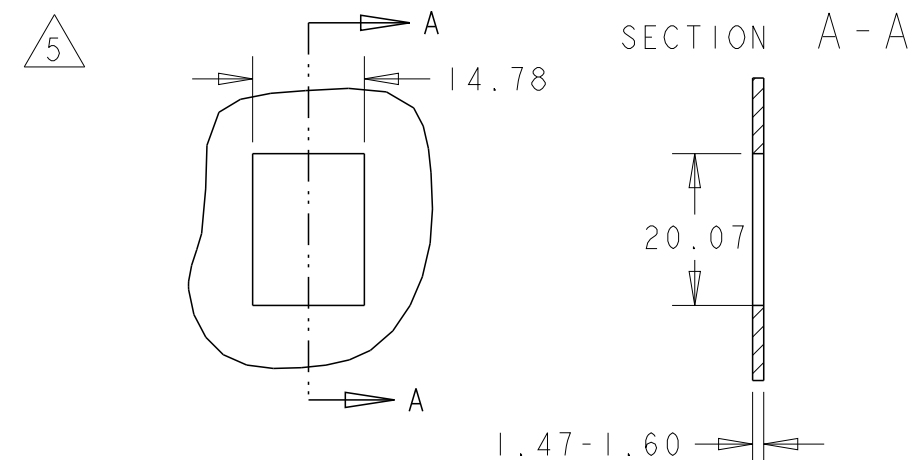


SCALE 2:1

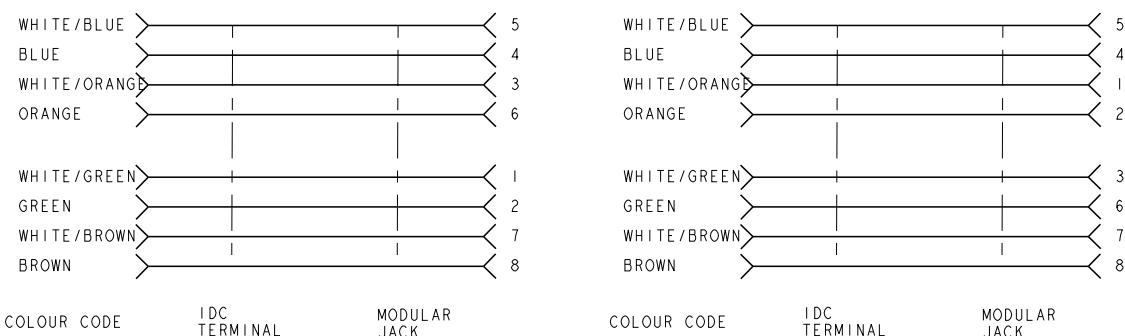
REVISIONS					
P	LTR	DESCRIPTION	DATE	DWN	APVD
	E2	Views/Note 2 (26/Solid)/Note 7>> updated.	02JUL2014	ACG	JS

- 1 MATERIAL:
- FRONT AND REAR HOUSING, CABLE CLAMP: ZAMAK 5. (Z410).
  - IDC CONNECT BLOCK, DUST COVER AND LACING FIXTURE: POLYCARBONATE NATURAL.
  - CUTTING BLADE, SPRINGS, LATCH AND SHIELD CONTACT POINT: STAINLESS STEEL.
  - JACK CONTACTS: BERYLLIUM COPPER, PLATED WITH 1.27  $\mu$ m MINIMUM THICK GOLD IN LOCALIZED AREA AND 3.81  $\mu$ m MINIMUM THICK MATTE TIN IN SOLDER AREA OVER 1.27  $\mu$ m MINIMUM THICK NICKEL UNDERPLATE.
  - IDC TERMINALS: PHOSPHOROUS BRONZE, PLATED WITH 3.81  $\mu$ m MINIMUM THICK BRIGHT MATTE TIN OVER 1.27 MINIMUM THICK NICKEL UNDERPLATE.
2. AMP-TWIST-6S SL JACK WILL TERMINATE:
- SOLID CONDUCTORS: 22-24-26 AWG.
  - STRANDED CONDUCTORS: 24-26 AWG.
  - MAX. INSULATION DIAMETER:  $\phi$ 1.60 mm.
  - MAX. CABLE JACKET:  $\phi$ 9.00 mm.
- 3 CAVITY ACCORDING TO IEC 60603-7-5 Ed. 1.0
4. MOUNTING PANEL THICKNESS 1.47-1.60 mm. (SEE SUGGESTED CUTOUT).
- 5 SUGGESTED CUTOUT OPENING.
- 6 PACKAGING: ACCORDING TO SPEC. 107-93003.
7. REFER TO 411-93007 FOR TERMINATION INSTRUCTIONS USING SL SERIES TOOL TERMINATION: SL SERIES JACK TOOL PN 1725150-3.
8. DIMENSIONS SHOWN ARE FOR REFERENCE ONLY.

SUGGESTED CUTOUT: SINGLE APPLICATION



ELECTRICAL SCHEMATIC: WIRING T568 A/B



THIS DRAWING IS A CONTROLLED DOCUMENT.

DIMENSIONS:	TOLERANCES UNLESS OTHERWISE SPECIFIED:
mm	0 PLC ±-
	1 PLC ±-
	2 PLC ±-
	3 PLC ±-
	4 PLC ±-
	ANGLES ±-
MATERIAL	FINISH
-	-
-	-

DWN	04NOV2004
A. CARRERAS	
CHK	04NOV2004
L. de DIOS	
APVD	02NOV2006
J. SANABRA	
PRODUCT SPEC	SEE TABLE
APPLICATION SPEC	411-93007
WEIGHT	-
Customer Drawing	

TE Connectivity		NAME	
		AMP-TWIST 6S SL JACK REAR EXIT	
SIZE	CAGE CODE	DRAWING NO	RESTRICTED TO
A3	-	©-1711160	-
SCALE 2:1		SHEET 1 OF 1	REV E2

108-93044	1711160-2
108-93003	1711160-1
PRODUCT SPEC.	PN-DASH

## X-ON Electronics

Largest Supplier of Electrical and Electronic Components

*Click to view similar products for [Modular Connectors / Ethernet Connectors](#) category:*

*Click to view products by [TE Connectivity](#) manufacturer:*

Other Similar products are found below :

[8949-H88/06BLKA/SN](#) [74441-0010/BKN](#) [MP1010RX-1000](#) [MP44RX-1000](#) [PHJ-4P4C-1-V-4](#) [PHP-6P6C-5](#) [GAX-3-66](#) [GAX-8-62](#) [GDCX-PA-66-50](#) [GDCX-PN-64](#) [GDCX-PN-66](#) [GDCX-PN-66-50](#) [GDLX-A-66](#) [GDLX-N-66](#) [GDLX-S-66](#) [GDLX-S-88K](#) [GDTX-S-88-50](#) [GDX-PA-1010](#) [GLX-N-1010M-BLK](#) [GLX-S-88M-BLK](#) [GMX-N-1010](#) [GMX-S-1010](#) [GMX-S-66](#) [GMX-SMT4-N-88](#) [GPX-2-64](#) [GSGX-N-2-88](#) [GSGX-N-4-88](#) [GSX-NS2-88-3.05](#) [GSX-NS2-88-3.05-50](#) [GSX-NS-88-3.05-50](#) [PT-108A-8C-UL](#) [PT-J951-8C](#) [PTS-J531-8CS-50UL](#) [1-1775629-2](#) [A-2014-0-4](#) [GWLX-S-88-GR](#) [GWLX-S9-88-YG](#) [DC-1021-8-WH-6](#) [1300530003](#) [1324640-4](#) [RJ11FTVC2G](#) [RJ11FTVC2N](#) [RJFTVX2SA1G](#) [132764-001](#) [1413235](#) [MP88X-1000](#) [MPS88RX-5000](#) [E5288-S000K3-L](#) [E5908-15A242-L](#) [155302-001](#)