

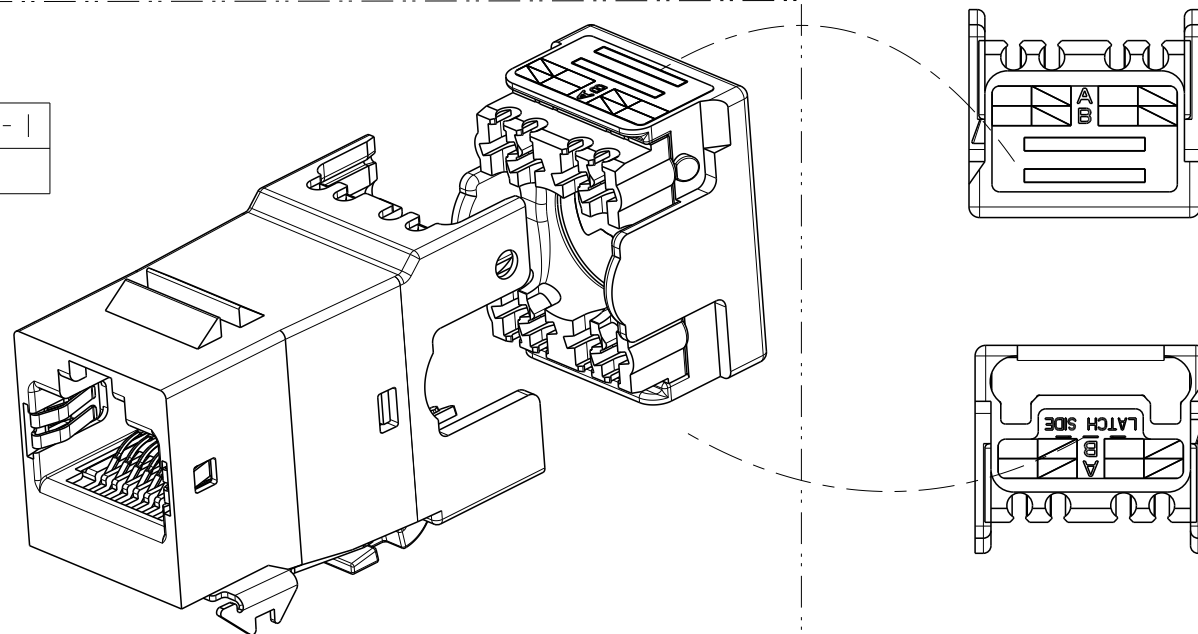
108-93044	1711342-2
108-93003	1711342-1
PRODUCT SPEC.	PN-DASH

COLOUR CODING / LABELS:

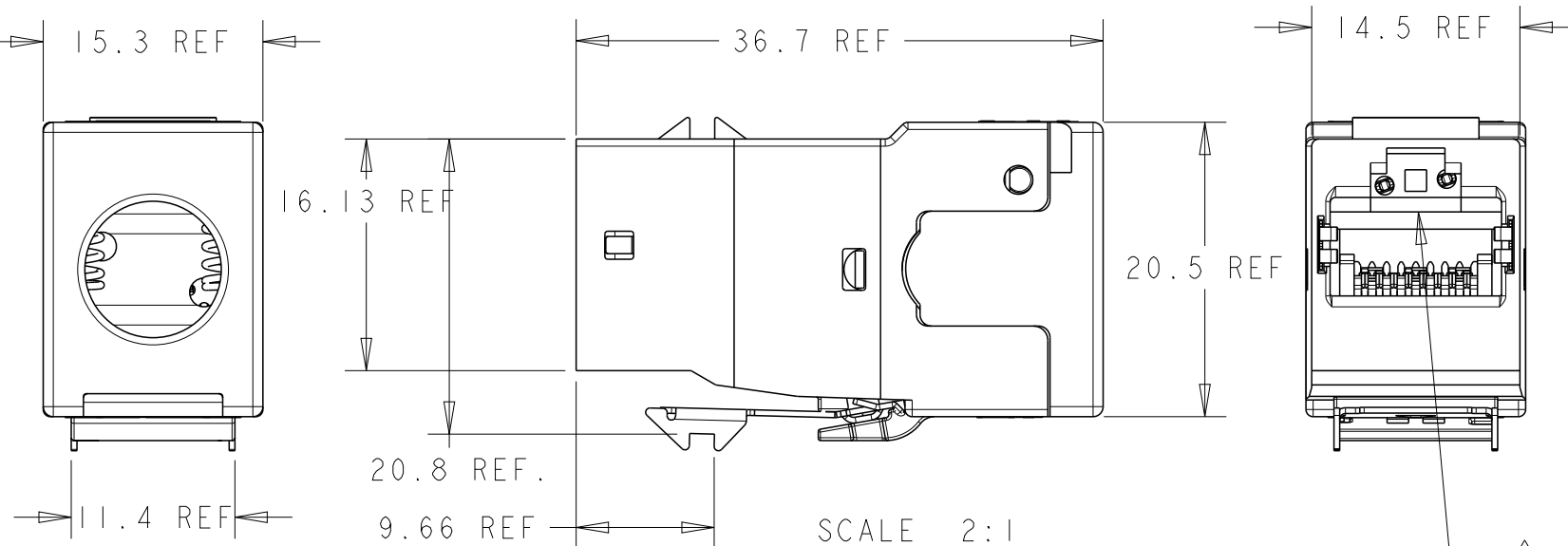
AS SHOWN	1711342-1
COMMENTS	PN



GENERAL VIEW



SCALE 2:1



SCALE 2:1



MATERIAL:

- FRONT AND REAR HOUSING, CABLE CLAMP: ZAMAK 5. (Z410).
- IDC CONNECT BLOCK, DUST COVER AND LACING FIXTURE: POLYCARBONATE NATURAL.
- CUTTING BLADE, SPRINGS, SHIELD CONTACT POINT AND LATCH: STAINLESS STEEL.
- JACK CONTACTS: BERYLLIUM COPPER, PLATED WITH 1.27  $\mu$ m MINIMUM THICK GOLD IN LOCALIZED AREA AND 3.81  $\mu$ m MINIMUM THICK MATTE TIN IN SOLDER AREA OVER 1.27  $\mu$ m MINIMUM THICK NICKEL UNDERPLATE.
- IDC TERMINALS: PHOSPHOROUS BRONZE, PLATED WITH 3.81  $\mu$ m MINIMUM THICK BRIGHT MATTE TIN OVER 1.27 MINIMUM THICK NICKEL UNDERPLATE.



AMP-TWIST-6S SL JACK WILL TERMINATE:

- SOLID CONDUCTORS: 22-26 AWG.
- STRANDED CONDUCTORS: 24-26 AWG.
- MAX. INSULATION DIAMETER:  $\phi$ 1.60 mm.
- MAX. CABLE JACKET:  $\phi$ 9.00 mm.



CAVITY ACCORDING TO IEC 60603-7-5 Ed. 1.0



MOUNTING PANEL THICKNESS 1.47-1.60 mm. (SEE SUGGESTED CUTOUT).



THESE TWO SUGGESTED CUTOUT OPENINGS ARE USED IN TANDEM WITH DUAL FRONT AND BACK CUTOUTS.



PACKAGING: ACCORDING TO SPEC. 107-93003.

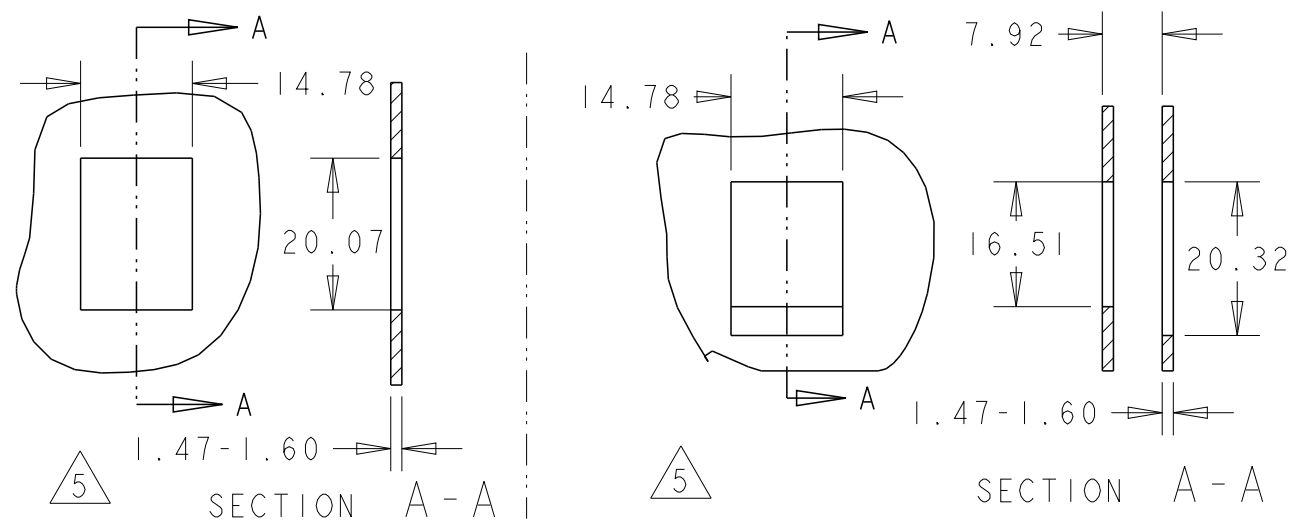


REFER TO 411-93007 FOR TERMINATION INSTRUCTIONS USING SL SERIES TOOL TERMINATION: SL SERIES JACK TOOL PN 1725150-3.

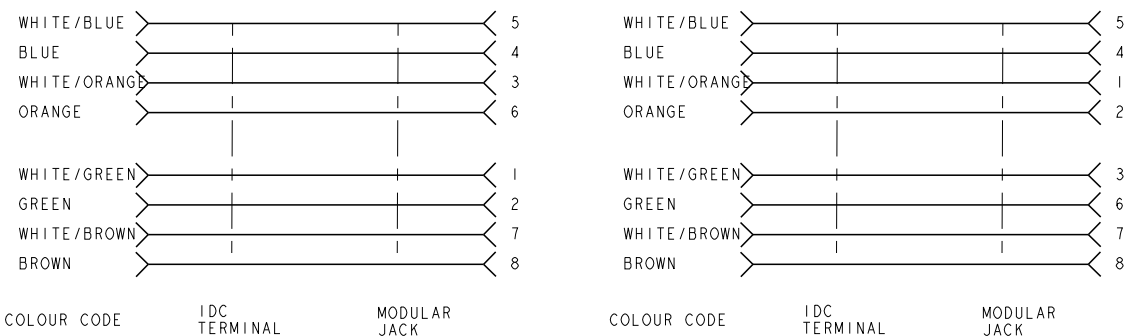


DIMENSIONS SHOWN ARE FOR REFERENCE ONLY.

SUGGESTED CUTOUT: SINGLE AND FLUSH-MOUNT APPLICATION



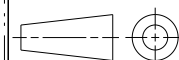
ELECTRICAL SCHEMATIC: WIRING T568 A/B



THIS DRAWING IS A CONTROLLED DOCUMENT.

DIMENSIONS:

mm



MATERIAL

TOLERANCES UNLESS OTHERWISE SPECIFIED:

- 0 PLC  $\pm$
- 1 PLC  $\pm$
- 2 PLC  $\pm$
- 3 PLC  $\pm$
- 4 PLC  $\pm$
- ANGLES  $\pm$
- FINISH -

DWN 25JUL2005

CHK A. CARRERAS

L. de DIOS 26JUL2005

APVD J. SANABRA 16JUN2006

PRODUCT SPEC

108-93003

APPLICATION SPEC

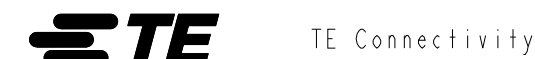
411-93007

WEIGHT -

Customer Drawing

REVISIONS

P	LTR	DESCRIPTION	DATE	DWN	APVD
	D1	ADDED DASH 2	14NOV2008	ACG	JS
	D3	Views/ Note 2 / Note 7 (26Solid)> Updated	06MAR2015	ACG	JS



NAME: AMP-TWIST 6S SL JACK REAR CABLE EXIT W/O DUST COVER

SIZE: A3 CAGE CODE: - DRAWING NO: C-1711342 RESTRICTED TO: -

SCALE: 1:1 SHEET: 1 OF: 1 REV: D3

## X-ON Electronics

Largest Supplier of Electrical and Electronic Components

*Click to view similar products for [Modular Connectors / Ethernet Connectors](#) category:*

*Click to view products by [TE Connectivity](#) manufacturer:*

Other Similar products are found below :

[8949-H88/06BLKA/SN](#) [74441-0010/BKN](#) [MP1010RX-1000](#) [MP44RX-1000](#) [PHJ-4P4C-1-V-4](#) [PHP-6P6C-5](#) [GAX-3-66](#) [GAX-8-62](#) [GDCX-PA-66-50](#) [GDCX-PN-64](#) [GDCX-PN-66](#) [GDCX-PN-66-50](#) [GDLX-A-66](#) [GDLX-N-66](#) [GDLX-S-66](#) [GDLX-S-88K](#) [GDLX-SMT-S-88](#) [GDTX-S-88-50](#) [GDX-PA-1010](#) [GLX-N-1010M-BLK](#) [GLX-S-88M-BLK](#) [GMX-N-1010](#) [GMX-S-1010](#) [GMX-S-66](#) [GMX-SMT4-N-88](#) [GPX-2-64](#) [GSGX-N-2-88](#) [GSGX-N-4-88](#) [GSX-NS2-88-3.05](#) [GSX-NS2-88-3.05-50](#) [GSX-NS-88-3.05-50](#) [PT-108A-8C-UL](#) [PT-J951-8C](#) [PTS-J531-8CS-50UL](#) [1-1775629-2](#) [A-2014-0-4](#) [GWLX-S-88-GR](#) [GWLX-S9-88-YG](#) [DC-1021-8-WH-6](#) [1300530003](#) [1324640-4](#) [RJ11FTVC2G](#) [RJ11FTVC2N](#) [RJFTVX2SA1G](#) [132764-001](#) [1413235](#) [MP88X-1000](#) [MPS88RX-5000](#) [E5288-S000K3-L](#) [E5908-15A242-L](#)