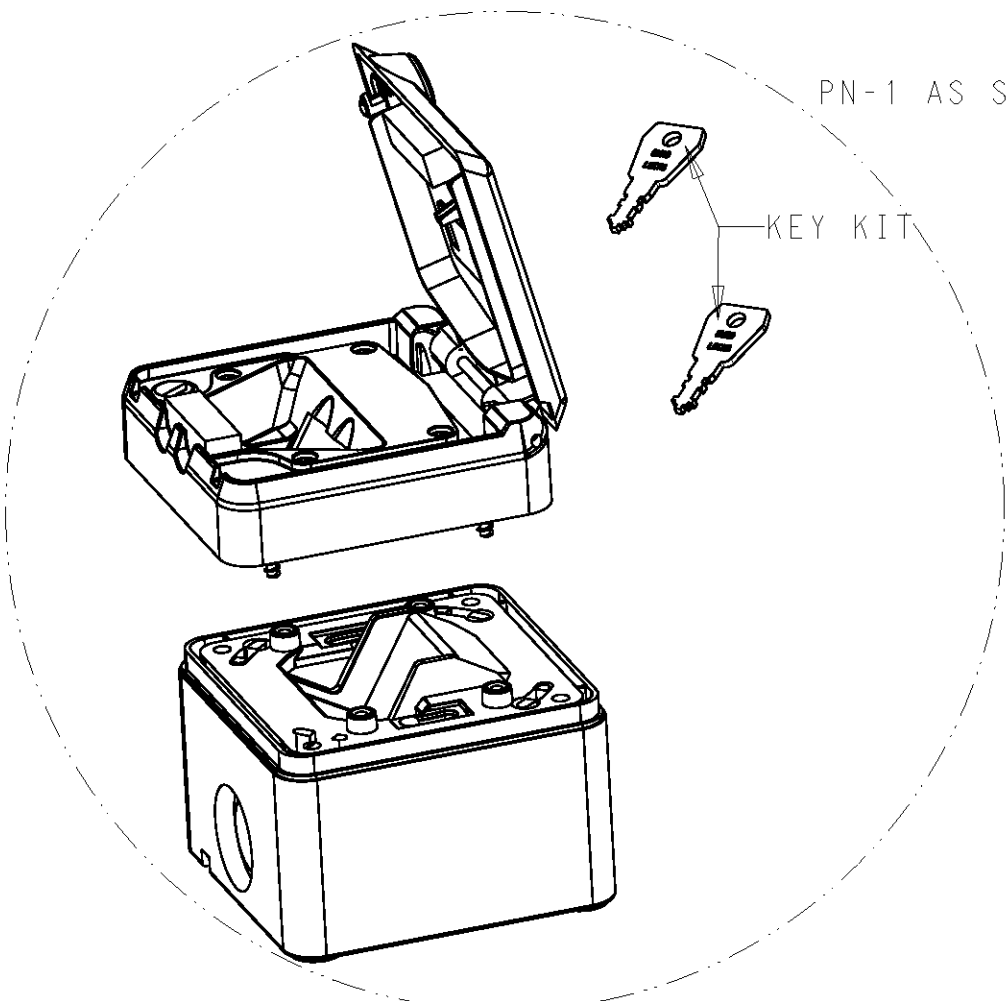


LOC	DIST	REVISIONS			
P	LTR	DESCRIPTION	DATE	DWN	APVD
IK	2	A	FIRST ISSUE	04MAY2010	ACG JS
		A1	CREATED NEW DASH 2 (ADDING CABLE GLAND)	01SEP2010	ACG JS

PN-1 AS SHOWN



⚠ PACKAGING:

PN-1: 6 UNITS PER BOX, ACCORDING TO TE PACKAGING SPEC.  
PN-2: 5 UNITS PER BOX, ACCORDING TO TE PACKAGING SPEC.

KEY KIT AND INSTRUCTIONS SHEETS ARE INCLUDED.

2. INSTRUCTION SHEETS:

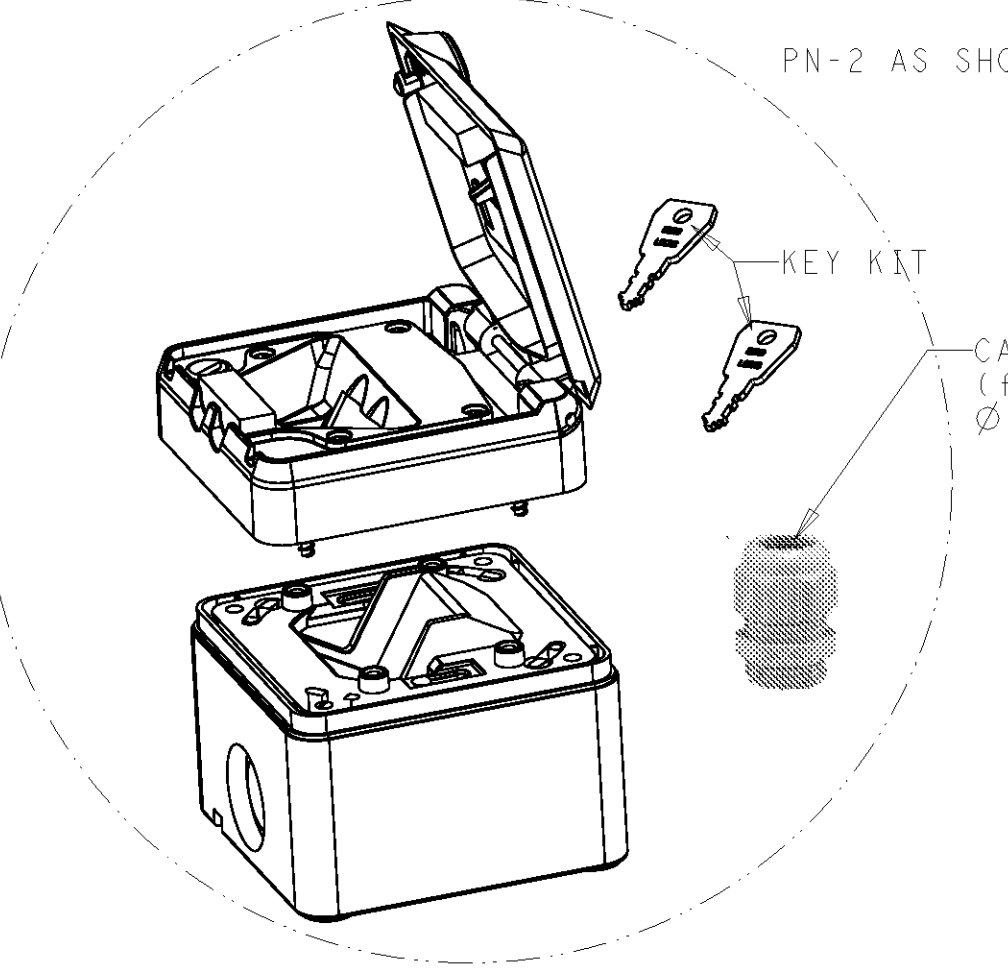
- 408-8417: Instruction sheet for SL Series Jacks.
- 411-93007: Instruction sheet for AMP-TWIST 6S SL JACK.
- 411-93016: Instruction sheet for AMP-TWIST 6AS SL JACK.
- 411-93009: INSTAL. INSTRUC. FOR AMP-TWIST and SL JACK INTO IP 44 INDUSTRIAL OUTLET.

ALL INSTRUCTION SHEETS CAN BE DOWNLOADED FROM Tycoelectronics.com website.

3. CONNECTORS:

AMP-TWIST & SL SERIES JACKS ARE NOT INCLUDED IN THE KIT.  
CONNECTORS HAVE TO BE ORDERED SEPARATELY.

PN-2 AS SHOWN



PART REV.	COLOUR	PN	DESCRIPTION
A	RAL 7035	1711411-2	IP INDUSTRIAL OUTLET WITH CABLE GLAND for 2 CABLES Ø3-8 mm.
A	RAL 7035	1711411-1	IP 44 INDUSTRIAL OUTLET

<small>THIS DRAWING IS A CONTROLLED DOCUMENT FOR TYCO ELECTRONICS CORPORATION. IT IS SUBJECT TO CHANGE AND THE CONTROLLING ENGINEERING ORGANIZATION SHOULD BE CONTACTED FOR THE LATEST REVISION.</small>		DWN 04MAY2010 A. CARRERAS CHK 04MAY2010 A. PUELL APVD 04MAY2010 J. SANABRA	Tyco Electronics AMP España, S.A Barcelona, Spain.
DIMENSIONS: mm 	TOLERANCES UNLESS OTHERWISE SPECIFIED: 0 PLC ±- 1 PLC ±- 2 PLC ±- 3 PLC ±- 4 PLC ±- ANGLES ±-	PRODUCT SPEC APPLICATION SPEC NOTE 2 WEIGHT -	NAME IP44 INDUSTRIAL OUTLET for AMP-TWIST AND SL Series JACK
MATERIAL -	FINISH -	CUSTOMER DRAWING	SIZE A3 CAGE CODE 00779 DRAWING NO ©=1711411 RESTRICTED TO -
		SCALE N.A	SHEET 1 OF 1 REV A1

## X-ON Electronics

Largest Supplier of Electrical and Electronic Components

*Click to view similar products for [Wire Ducting & Raceways](#) category:*

*Click to view products by [TE Connectivity](#) manufacturer:*

Other Similar products are found below :

[800A-LB](#) [801I-LSP](#) [802A-ECSP](#) [802I-ICSP](#) [923223-000](#) [PRAF6WH-X](#) [A0405538](#) [1301150342](#) [1301160034](#) [1301170070](#) [1301180011](#)  
[1301230083](#) [1301230153](#) [1301240273](#) [1301250006](#) [1302261238](#) [1302261321](#) [1302262552](#) [1302263103](#) [1302263178](#) [1302263259](#)  
[1302263816](#) [1302263860](#) [1302264375](#) [1302264390](#) [1301150343](#) [1301160030](#) [1301170050](#) [1301170051](#) [1301170061](#) [1301180013](#)  
[1301230086](#) [1301230130](#) [1301240054](#) [1302260055](#) [1302260376](#) [1302261343](#) [1302261344](#) [1302262674](#) [1302263095](#) [1302263166](#)  
[1302263209](#) [1302263513](#) [1302263851](#) [1302263870](#) [1302264137](#) [1302264218](#) [DD1/J](#) [AX102007](#) [AX102411](#)