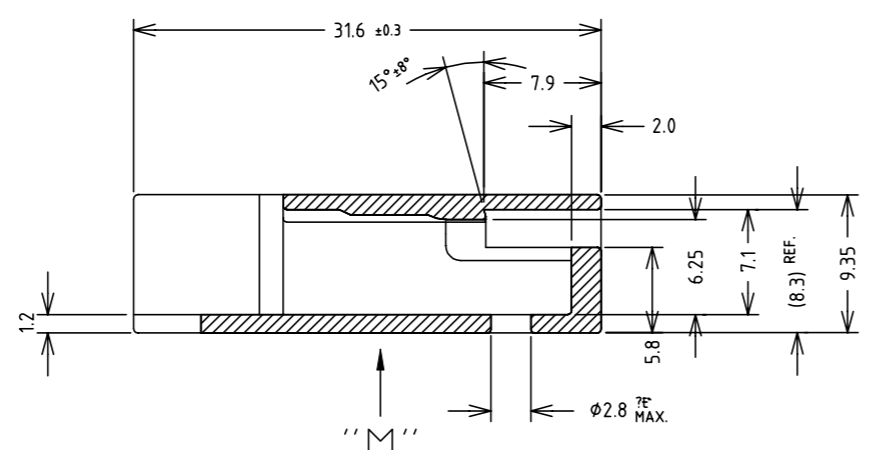
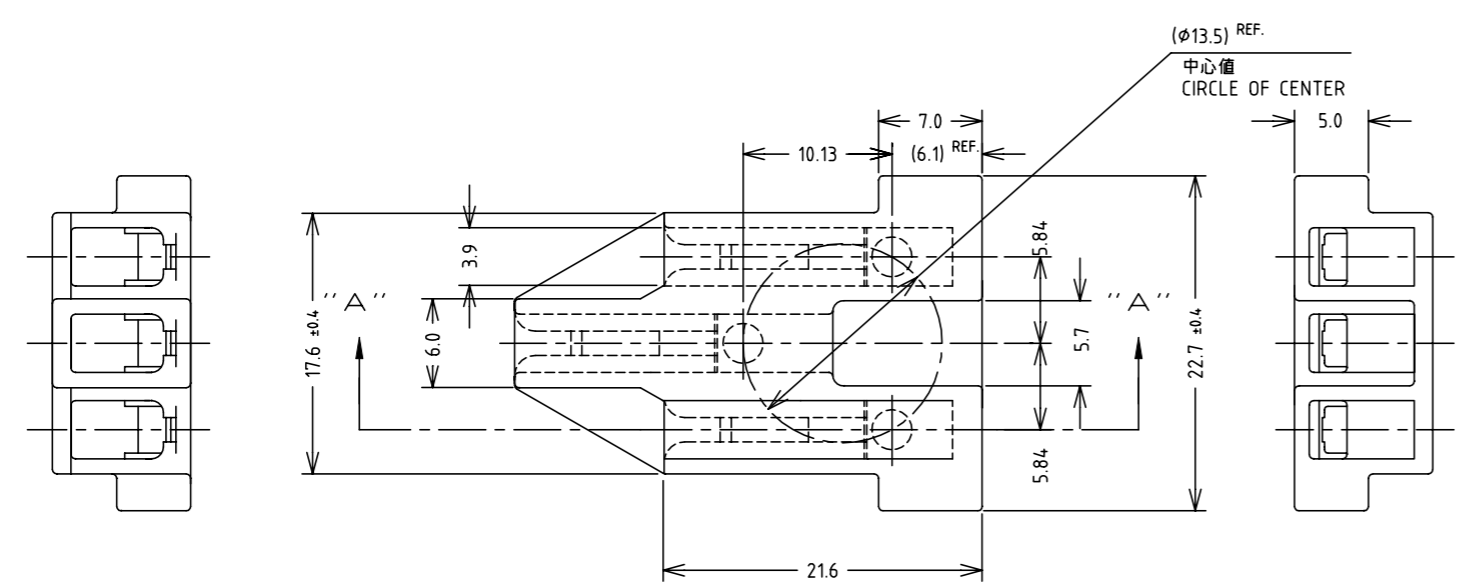
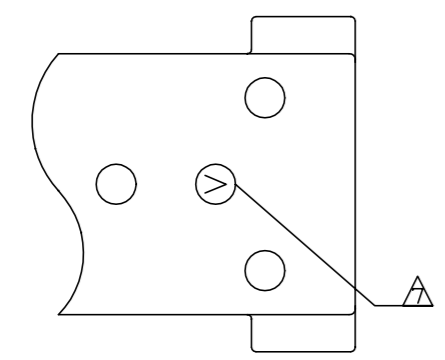


THIS DRAWING IS UNPUBLISHED. RELEASED FOR PUBLICATION MAY, 21 .
 © COPYRIGHT 02 By - ALL RIGHTS RESERVED.

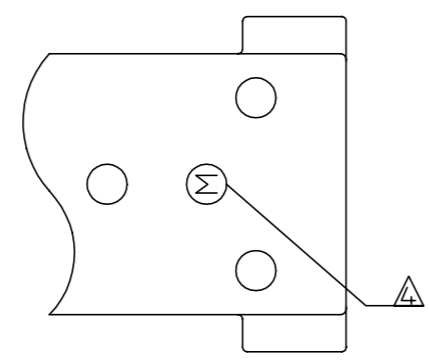
| LOC | DIST | REVISIONS | | | | | |
|-----|------|-----------|-----|---------------------------------------|-----------|-----|------|
| | | P | LTR | DESCRIPTION | DATE | DWN | APVD |
| J | - | R1 | | ALTERNATE RESIN UPDATE FOR 1-171370-2 | 12MAR2020 | SE | PKS |



断面 "A" - "A"
SECT



矢視 "M" 1-171370-2
VIEW



矢視 "M" 1-171370-1
VIEW

- 注記:
- 一般公差 : ±0.2
 - 適用ピン リセプタクル型番 : □ -170063-□ , □ -353937-□ , □ -1123655-□
 - 適用規格番号 : 108-5143 (型番1-171370-1)
- △ 裏面上I.Dマーク : 型番1-171370-1のみ M 表示 文字の向きは任意とする。
 - △ ミューラスRタイプ : UL94V-0 , CTI 600V
 - △ フェノール ノンアンモニア : UL94V-0 , CTI 175 ~ 249V以上
 - △ 裏面上I.Dマーク : 型番1-171370-2のみ L 表示 文字の向きは任意とする。

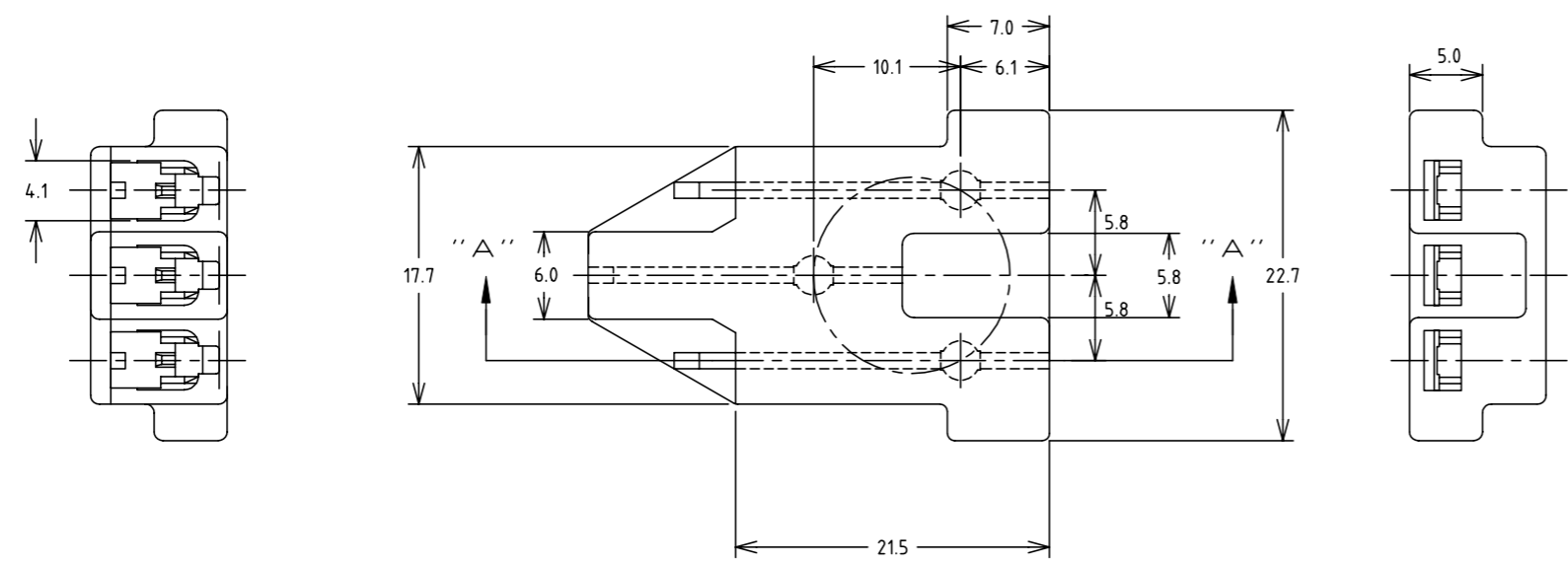
- NOTES:
- GENERAL TOLERANCE ±0.2
 - APPLICABLE CONTACT PART No.: □ -170063-□ , □ -353937-□ , □ -1123655-□
 - PRODUCT SPEC No.: 108-5143(1-171370-1)
- △ I.D MARK ON REAR SIDE : INDICATION M AT PART No.1-171370-1 ONLY. DIRECTION OF CHARACTERS IS FREE.
 - △ MEWLUS "R" TYPE : UL94V-0 , CTI 600V MIN
 - △ PHENOLIC NONAMMONIA UL94V-0 , CTI 175 ~ 249V
 - △ I.D MARK ON REAR SIDE : INDICATION L AT PART No.1-171370-2 ONLY. DIRECTION OF CHARACTERS IS FREE.

| | | |
|---------------|--------------------------------|-----------|
| △ 1-171370-2 | △ フェノール (PHENOLIC) | 黒 (BLACK) |
| △ 1-171370-1 | △ ミューラス Rタイプ (MEWLUS "R" TYPE) | 黒 (BLACK) |
| 型番 (PART No.) | 材料 (MATERIAL) | 色 (COLOR) |

| | | | | |
|---|--|--------------------------------|--|--|
| THIS DRAWING IS A CONTROLLED DOCUMENT. | | DWN M.SUZUKI 21MAY2002 | STE TE Connectivity | |
| DIMENSIONS: 単位: 耗 mm | | CHK M.SHINDO 21MAY2002 | | |
| TOLERANCES UNLESS OTHERWISE SPECIFIED: 一般公差 | | APVD M.SHINDO 21MAY2002 | NAME 名称 2.3 DIA CLUSTER BLOCK Φ2.3 クラスタブロック | |
| 0 PLC ±- | | PRODUCT SPEC 製品規格 SEE NOTES 3. | | |
| 1 PLC ±- | | APPLICATION SPEC 取付適用規格 | SIZE A3 CAGE CODE 00779 DRAWING NO 番号 C=171370 RESTRICTED TO - | |
| 2 PLC ±- | | WEIGHT | | |
| 3 PLC ±- | | CUSTOMER DRAWING | SCALE 4:1 SHEET 1 of 3 REV R1 | |
| 4 PLC ±- | | | | |
| ANGLES ±- | | | | |
| FINISH 仕上 | | | | |
| MATERIAL 材料 SEE TABLE | | | | |

THIS DRAWING IS UNPUBLISHED. RELEASED FOR PUBLICATION MAY, 21 .
 © COPYRIGHT 02 By - ALL RIGHTS RESERVED.

| LOC | DIST | REVISIONS | | | | | |
|-----|------|-----------|-----|-------------|------|-----|------|
| J | | P | LTR | DESCRIPTION | DATE | DWN | APVD |
| | | - | | SEE SHEET 1 | - | - | - |



注記:

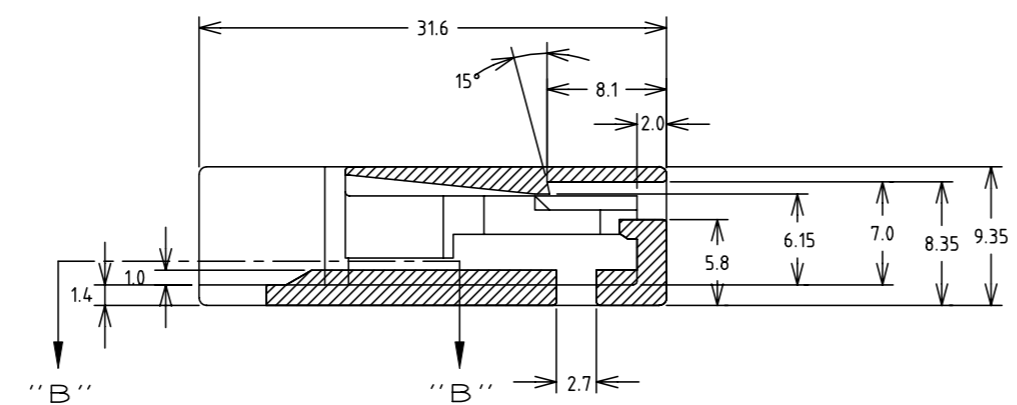
- 一般公差 : ±0.2
- 適用ピン リセプタクル型番 : □ -170063-□ , □ -353937-□ , □ -1123655-□
- 適用規格番号: 108-5205(型番171370-3)
108-61239(型番171370-4)
108-5541(型番171370-5)

- △4 PARTS COMPLY WITH GLOW WIRE 750 PER IEC 60335-1.
- △5 MUST BE APPLIED ON THE OUTSIDE OF COMPRESSOR.

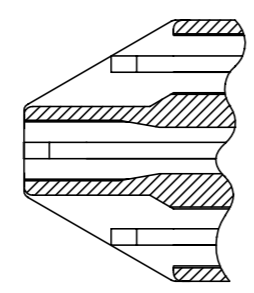
NOTES:

- GENERAL TOLERANCE ±0.2
- APPLICABLE CONTACT PART No.:
□ -170063-□ , □ -353937-□ , □ -1123655-□
- PRODUCT SPEC No.: 108-5205(FOR PART No.171370-3)
108-61239(FOR PART No.171370-4)
108-5541(FOR PART No.171370-5)

- △4 GLOW WIRE 750(IEC 60335-1), CTI 600V(HALOGEN FREE)
- △5 MUST BE APPLIED ON THE OUTSIDE OF COMPRESSOR.

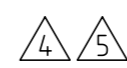


断面 "A" - "A" SECT



断面 "B" - "B" SECT

| | | |
|------------------|--|------------------|
| 171370-5 | PBT ガラス強化 PBT GLASS FILLED(UL94V-0) | 灰色 (GRAY) |
| 171370-4 | PBT ガラス強化 PBT GLASS FILLED(UL94V-0) | 黒 (BLACK) |
| 171370-3 | PBT ガラス強化 PBT GLASS FILLED(UL94HB) | 自然色 (NATURAL) |
| 型番 (PART No.) | 材料 (MATERIAL) | 色 (COLOR) |



| | | | | |
|---|--|------------------------------------|--|--------------------|
| THIS DRAWING IS A CONTROLLED DOCUMENT. | | DWN | STE TE Connectivity | |
| DIMENSIONS: 単位: 耗 mm | | CHK | | |
| TOLERANCES UNLESS OTHERWISE SPECIFIED: 一般公差 | | APVD | NAME 名称 2.3 DIA CLUSTER BLOCK Φ2.3 クラスタブロック | |
| 0 PLC ± 1 PLC ± 2 PLC ± 3 PLC ± 4 PLC ± ANGLES ± | | PRODUCT SPEC 製品規格 SEE NOTE 3 | SIZE | CAGE CODE |
| MATERIAL 材料 SEE TABLE | | APPLICATION SPEC 取付適用規格 | A3 | 00779 |
| FINISH 仕上 | | WEIGHT | DRAWING NO 番号 C=171370 | RESTRICTED TO — |
| CUSTOMER DRAWING | | | SCALE 尺度 4:1 | SHEET 2 of 3 |
| | | | REV R1 | |

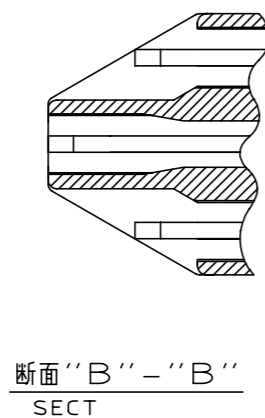
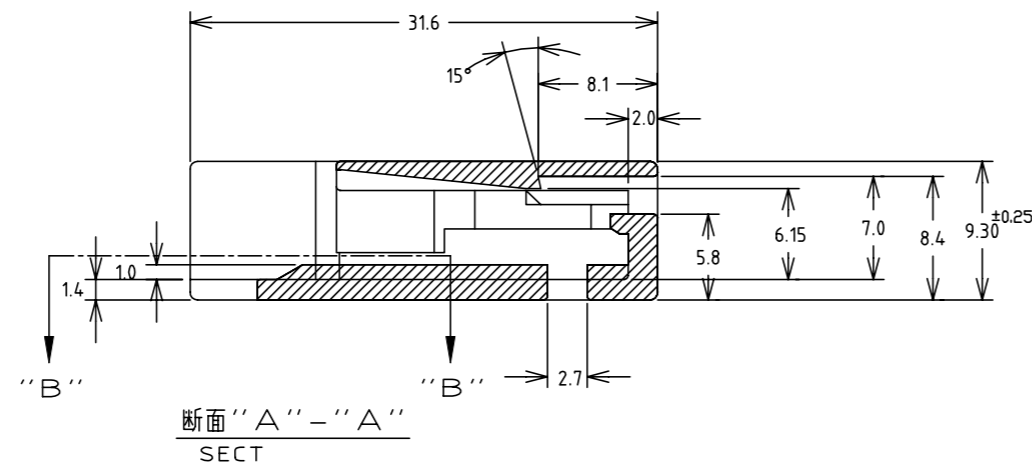
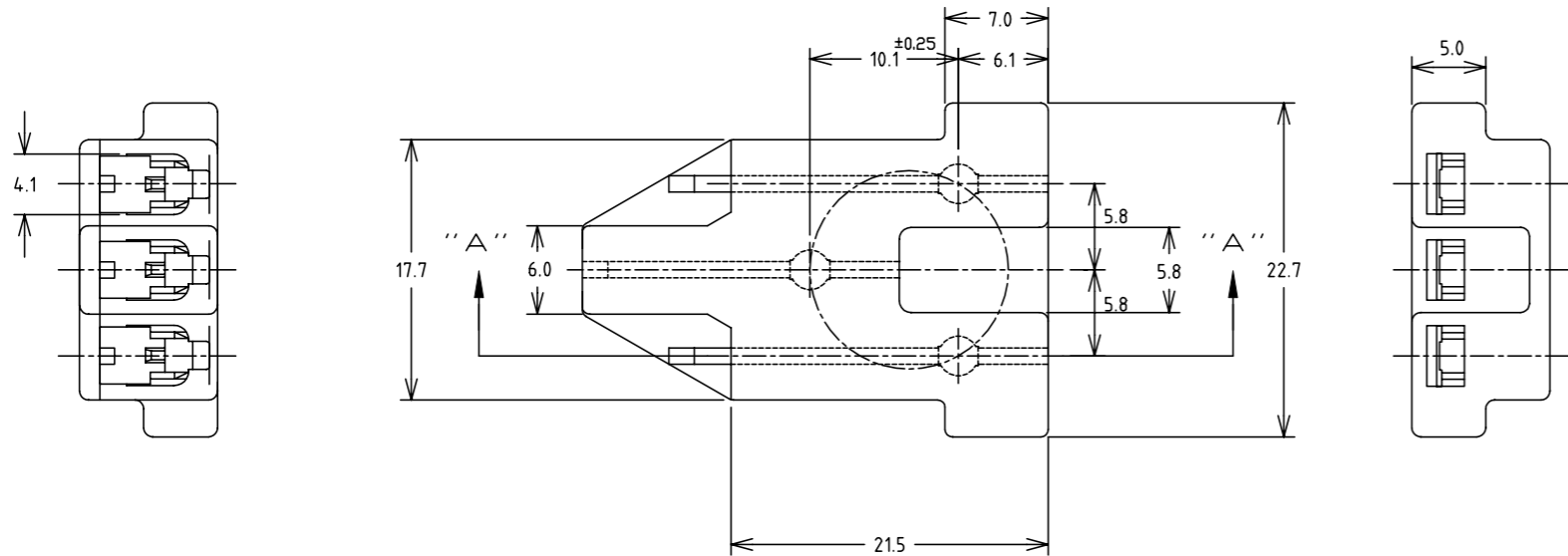
THIS DRAWING IS UNPUBLISHED.

RELEASED FOR PUBLICATION MAY, 21

© COPYRIGHT 02 By -

ALL RIGHTS RESERVED.

| LOC | DIST | REVISIONS | | | | | |
|-----|------|-----------|-----|-------------|------|-----|------|
| | | P | LTR | DESCRIPTION | DATE | DWN | APVD |
| J | | - | - | SEE SHEET 1 | - | - | - |



注記:

1. 一般公差 : ±0.2
2. 適用ピン リセプタクル型番 : □-170063-□, □-353937-□, □-1123655-□
3. 適用規格番号: 108-140004 (型番171370-7)
4. PRELIMINARY-NOT FOR PRODUCTION
5. PARTS COMPLY WITH GLOW WIRE REQUIREMENTS DETAILED IN IEC 60335-1

NOTES:

1. GENERAL TOLERANCE ±0.2
2. APPLICABLE CONTACT PART No. : □-170063-□, □-353937-□, □-1123655-□
3. PRODUCT SPEC No.: 108-140004 (FOR PART No.171370-7)
4. PRELIMINARY-NOT FOR PRODUCTION
5. PARTS COMPLY WITH GLOW WIRE REQUIREMENTS DETAILED IN IEC 60335-1
6. PRELIMINARY PART

| | | | |
|----|---------------|-----------------------------------|---------------|
| △6 | 171370-8 | PPS (UL94V-0) | (NATURAL) |
| △5 | 171370-6 | PA 6 GLASS FILLED | 自然色 (NATURAL) |
| | 171370-7 | 液晶ポリマー (UL94V-0) LCP (UL94V-0) | 自然色 (NATURAL) |
| | 型番 (PART No.) | 材料 (MATERIAL) | 色 (COLOR) |

| | | | | | |
|---|--|-------------------------|----------------------------|-----------|---------------|
| THIS DRAWING IS A CONTROLLED DOCUMENT. | | DWN | STE TE Connectivity | | |
| DIMENSIONS: 単位: 耗 mm | | CHK | | | |
| TOLERANCES UNLESS OTHERWISE SPECIFIED: 一般公差 | | APVD | NAME 名称 | | |
| 0 PLC ± | | PRODUCT SPEC 製品規格 | 2.3 DIA CLUSTER BLOCK | | |
| 1 PLC ± | | APPLICATION SPEC 取付適用規格 | Φ2.3 クラスタブロック | | |
| 2 PLC ± | | WEIGHT | SIZE | CAGE CODE | DRAWING NO 番号 |
| 3 PLC ± | | CUSTOMER DRAWING | A3 | 00779 | 171370 |
| 4 PLC ± | | | SCALE 尺度 | 4:1 | SHEET |
| ANGLES ± | | RESTRICTED TO | REV R1 | | |
| FINISH 仕上 | | | | | |
| MATERIAL 材料 | | | | | |
| SEE TABLE | | | | | |

X-ON Electronics

Largest Supplier of Electrical and Electronic Components

Click to view similar products for [Terminal Block Tools & Accessories](#) category:

Click to view products by [TE Connectivity](#) manufacturer:

Other Similar products are found below :

[00171430102](#) [00171420102](#) [600HL](#) [600RJ-07](#) [600RJ-11](#) [600RJ-14](#) [600RJS-10](#) [600RJS-12](#) [600RJS-15](#) [600RJS-21](#) [601RJ-09](#) [602SP](#) [602Z](#)
[604J](#) [CSTSPC1-2](#) [7B941-7](#) [88943-2100](#) [QC102](#) [1437403-6](#) [1437403-9](#) [1437403-8](#) [1453128-1](#) [147832-1](#) [EC0037-000](#) [MT2/H--](#) [MT6/H-N](#)
[MT6/V-GRND](#) [MT8/H-51-60](#) [BC2-12](#) [BCC-1-8/10](#) [EP2.5/4UN/BG](#) [1707755](#) [1735590](#) [1755480](#) [1789281](#) [1840227](#) [1840230](#) [2-1437402-1](#)
[JA2-03](#) [JB1-03/J](#) [JB2-04](#) [JB2-05](#) [JB2-07](#) [JB2-09/J](#) [PARALLELJUMPERLINK](#) [JS601](#) [2204082](#) [2302463](#) [2305949](#) [8PCV-BUSHING](#)