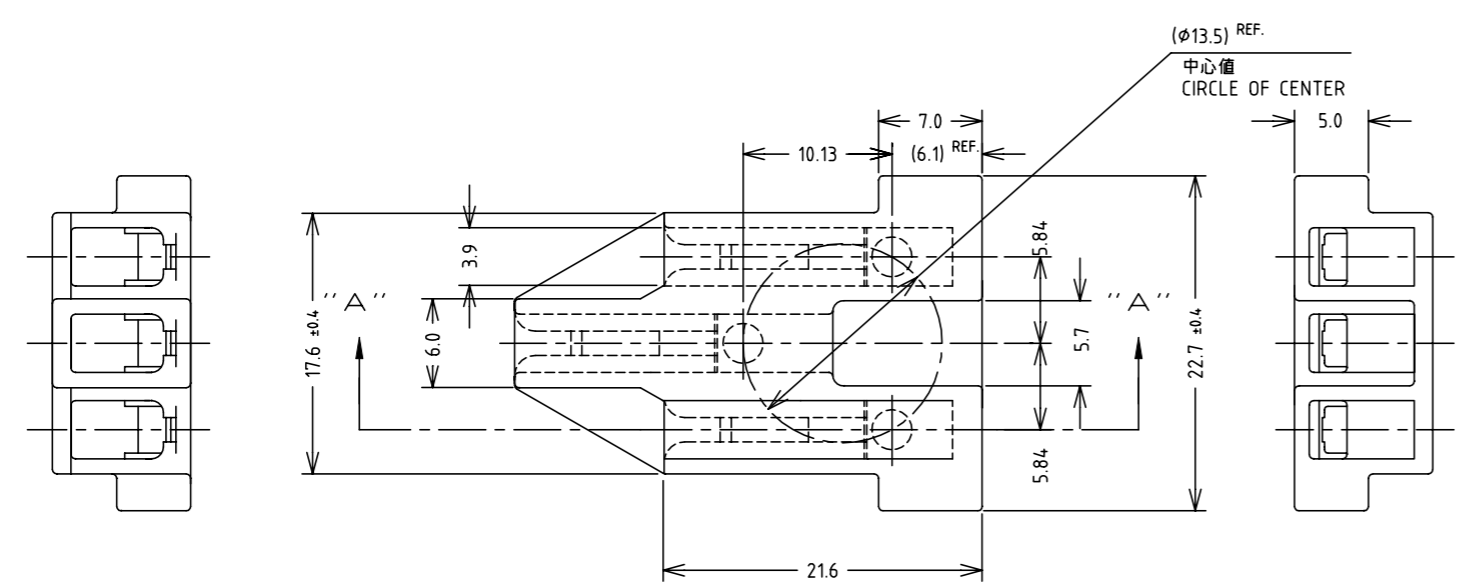


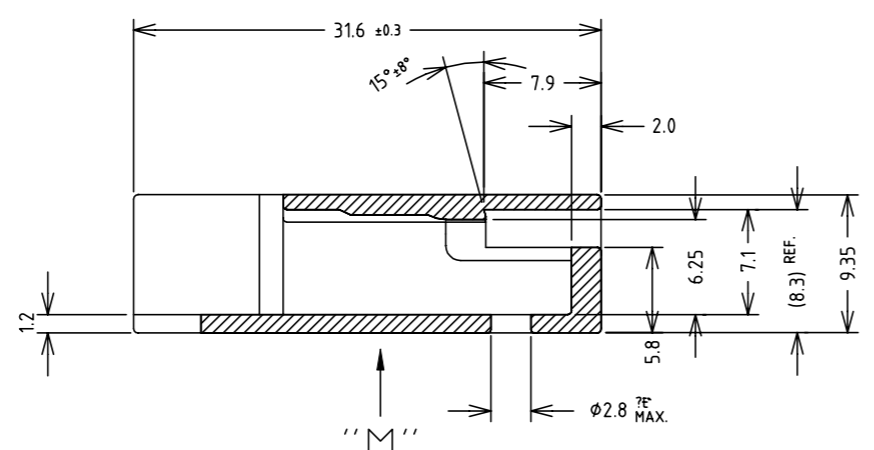
THIS DRAWING IS UNPUBLISHED. RELEASED FOR PUBLICATION MAY, 21 .  
 © COPYRIGHT 02 By - ALL RIGHTS RESERVED.

| LOC | DIST | REVISIONS |     |                                       |           |     |      |
|-----|------|-----------|-----|---------------------------------------|-----------|-----|------|
|     |      | P         | LTR | DESCRIPTION                           | DATE      | DWN | APVD |
| J   | -    | R1        |     | ALTERNATE RESIN UPDATE FOR 1-171370-2 | 12MAR2020 | SE  | PKS  |

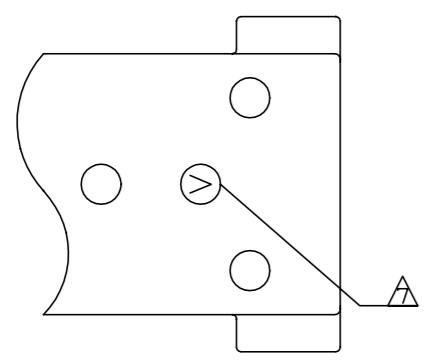


- 注記:
- 一般公差 : ±0.2
  - 適用ピン リセプタクル型番 : □ -170063-□ , □ -353937-□ , □ -1123655-□
  - 適用規格番号 : 108-5143 (型番1-171370-1)
- 裏面上I.Dマーク : 型番1-171370-1のみ M 表示 文字の向きは任意とする。
  - ミュールスRタイプ : UL94V-0 , CTI 600V
  - フェノール ノンアンモニア : UL94V-0 , CTI 175 ~ 249V以上
  - 裏面上I.Dマーク : 型番1-171370-2のみ L 表示 文字の向きは任意とする。

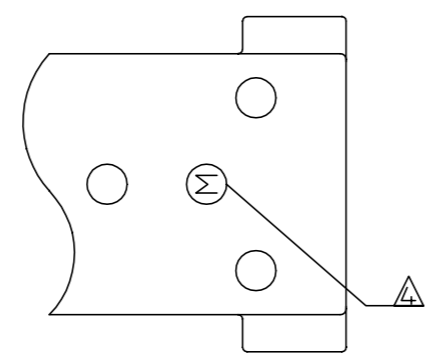
- NOTES:
- GENERAL TOLERANCE ±0.2
  - APPLICABLE CONTACT PART No.: □ -170063-□ , □ -353937-□ , □ -1123655-□
  - PRODUCT SPEC No.: 108-5143(1-171370-1)
- I.D MARK ON REAR SIDE : INDICATION M AT PART No.1-171370-1 ONLY. DIRECTION OF CHARACTERS IS FREE.
  - MEWLUS "R" TYPE : UL94V-0 , CTI 600V MIN
  - PHENOLIC NONAMMONIA UL94V-0 , CTI 175 ~ 249V
  - I.D MARK ON REAR SIDE : INDICATION L AT PART No.1-171370-2 ONLY. DIRECTION OF CHARACTERS IS FREE.



断面 "A" - "A" SECT



矢視 "M" 1-171370-2 VIEW



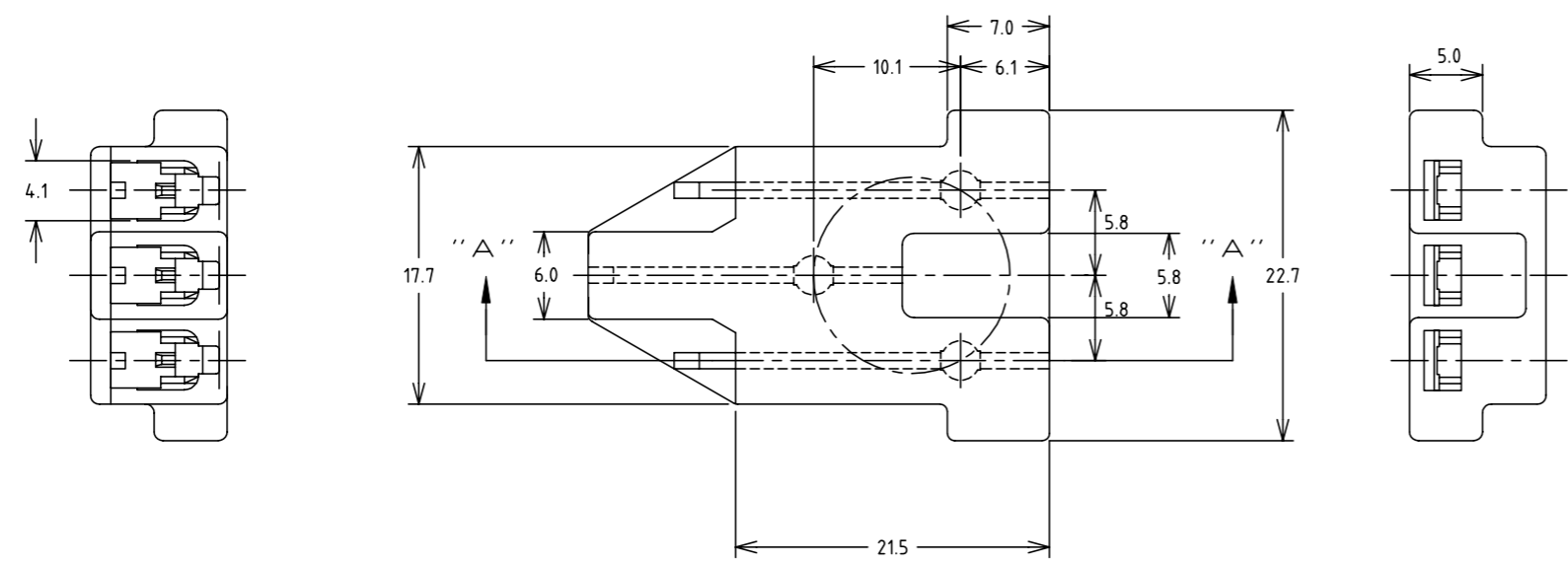
矢視 "M" 1-171370-1 VIEW

|               |                                |           |
|---------------|--------------------------------|-----------|
| △ 1-171370-2  | △ フェノール (PHENOLIC)             | 黒 (BLACK) |
| △ 1-171370-1  | △ ミュールス Rタイプ (MEWLUS "R" TYPE) | 黒 (BLACK) |
| 型番 (PART No.) | 材料 (MATERIAL)                  | 色 (COLOR) |

|   |  |                                |  |                 |
|---|--|--------------------------------|--|-----------------|
| THIS DRAWING IS A CONTROLLED DOCUMENT.                                      |  | DWN M.SUZUKI 21MAY2002         | <b>STE</b> TE Connectivity                     |                 |
| DIMENSIONS: 単位: 耗 mm  |  | CHK M.SHINDO 21MAY2002         |  |                 |
| TOLERANCES UNLESS OTHERWISE SPECIFIED: 一般公差                                 |  | APVD M.SHINDO 21MAY2002        | NAME 名称 2.3 DIA CLUSTER BLOCK<br>Φ2.3 クラスタブロック |                 |
| 0 PLC ± -<br>1 PLC ± -<br>2 PLC ± -<br>3 PLC ± -<br>4 PLC ± -<br>ANGLES ± - |  | PRODUCT SPEC 製品規格 SEE NOTES 3. |  |                 |
| MATERIAL 材料 SEE TABLE   |  | FINISH 仕上                      | DRAWING NO 番号 C=171370                         |                 |
|   |  | WEIGHT                         | SIZE A3  | CAGE CODE 00779 |
|   |  | CUSTOMER DRAWING               | RESTRICTED TO -                                | SCALE 尺度 4:1    |
|   |  |                                | SHEET 1 of 3                                   | REV R1          |

THIS DRAWING IS UNPUBLISHED. RELEASED FOR PUBLICATION MAY, 21 .  
 © COPYRIGHT 02 By - ALL RIGHTS RESERVED.

| LOC | DIST | REVISIONS |     |             |      |     |      |
|-----|------|-----------|-----|-------------|------|-----|------|
| J   |      | P         | LTR | DESCRIPTION | DATE | DWN | APVD |
|     |      | -         |     | SEE SHEET 1 | -    | -   | -    |



注記:

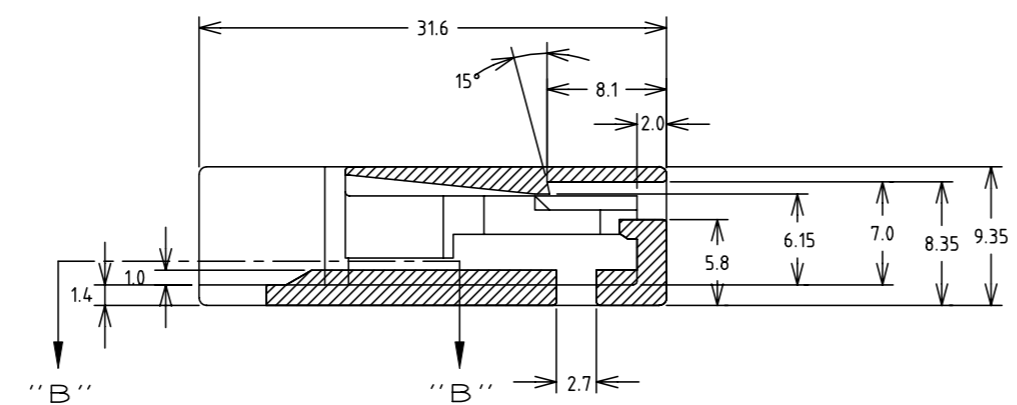
- 一般公差 : ±0.2
- 適用ピン リセプタクル型番 : □-170063-□, □-353937-□, □-1123655-□
- 適用規格番号: 108-5205(型番171370-3)  
108-61239(型番171370-4)  
108-5541(型番171370-5)

- △4 PARTS COMPLY WITH GLOW WIRE 750 PER IEC 60335-1.
- △5 MUST BE APPLIED ON THE OUTSIDE OF COMPRESSOR.

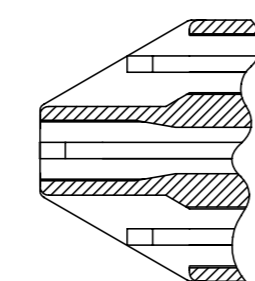
NOTES:

- GENERAL TOLERANCE ±0.2
- APPLICABLE CONTACT PART No.:  
□-170063-□, □-353937-□, □-1123655-□
- PRODUCT SPEC No.: 108-5205(FOR PART No.171370-3)  
108-61239(FOR PART No.171370-4)  
108-5541(FOR PART No.171370-5)

- △4 GLOW WIRE 750(IEC 60335-1), CTI 600V(HALOGEN FREE)
- △5 MUST BE APPLIED ON THE OUTSIDE OF COMPRESSOR.



断面 "A" - "A" SECT



断面 "B" - "B" SECT

|                  |  |                  |
|------------------|--|------------------|
| 171370-5         | PBT ガラス強化<br>PBT GLASS FILLED(UL94V-0) | 灰色<br>(GRAY)     |
| 171370-4         | PBT ガラス強化<br>PBT GLASS FILLED(UL94V-0) | 黒<br>(BLACK)     |
| 171370-3         | PBT ガラス強化<br>PBT GLASS FILLED(UL94HB)  | 自然色<br>(NATURAL) |
| 型番<br>(PART No.) | 材料<br>(MATERIAL)                       | 色<br>(COLOR)     |

△4 △5

|   |  |                                    |  |                              |
|---|--|------------------------------------|--|------------------------------|
| THIS DRAWING IS A CONTROLLED DOCUMENT.                          |  | DWN                                | <b>STE</b> TE Connectivity                           |                              |
| DIMENSIONS:<br>単位: 耗<br>mm                                      |  | CHK                                |  |                              |
| TOLERANCES UNLESS OTHERWISE SPECIFIED:<br>一般公差                  |  | APVD                               | NAME<br>名称<br>2.3 DIA CLUSTER BLOCK<br>Φ2.3 クラスタブロック |                              |
| 0 PLC ±<br>1 PLC ±<br>2 PLC ±<br>3 PLC ±<br>4 PLC ±<br>ANGLES ± |  | PRODUCT SPEC<br>製品規格<br>SEE NOTE 3 | SIZE   | CAGE CODE                    |
| MATERIAL<br>材料<br>SEE TABLE                                     |  | FINISH<br>仕上                       | DRAWING NO<br>番号<br>A300779                          | DRAWING NO<br>番号<br>C-171370 |
|   |  | WEIGHT                             | RESTRICTED TO<br>-                                   |                              |
|   |  | CUSTOMER DRAWING                   | SCALE<br>尺度 4:1                                      | SHEET<br>2 of 3              |
|   |  |                                    | REV<br>R1  |                              |

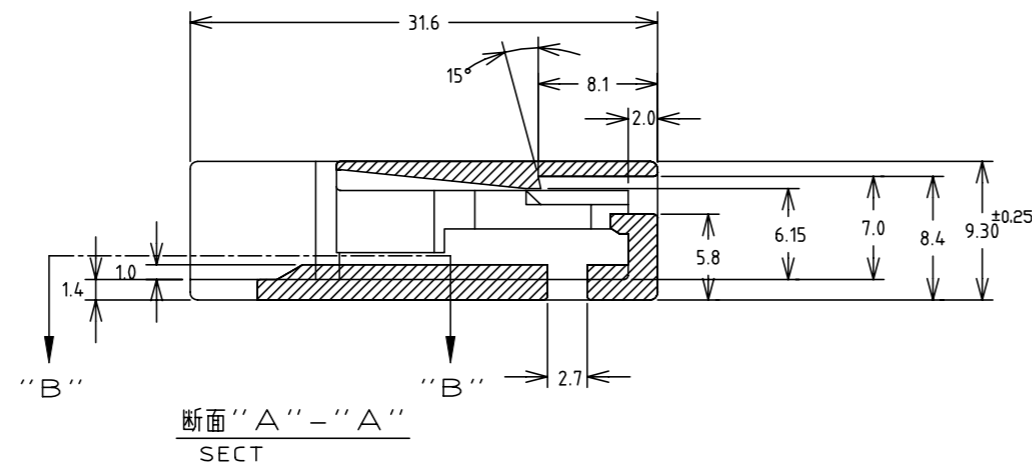
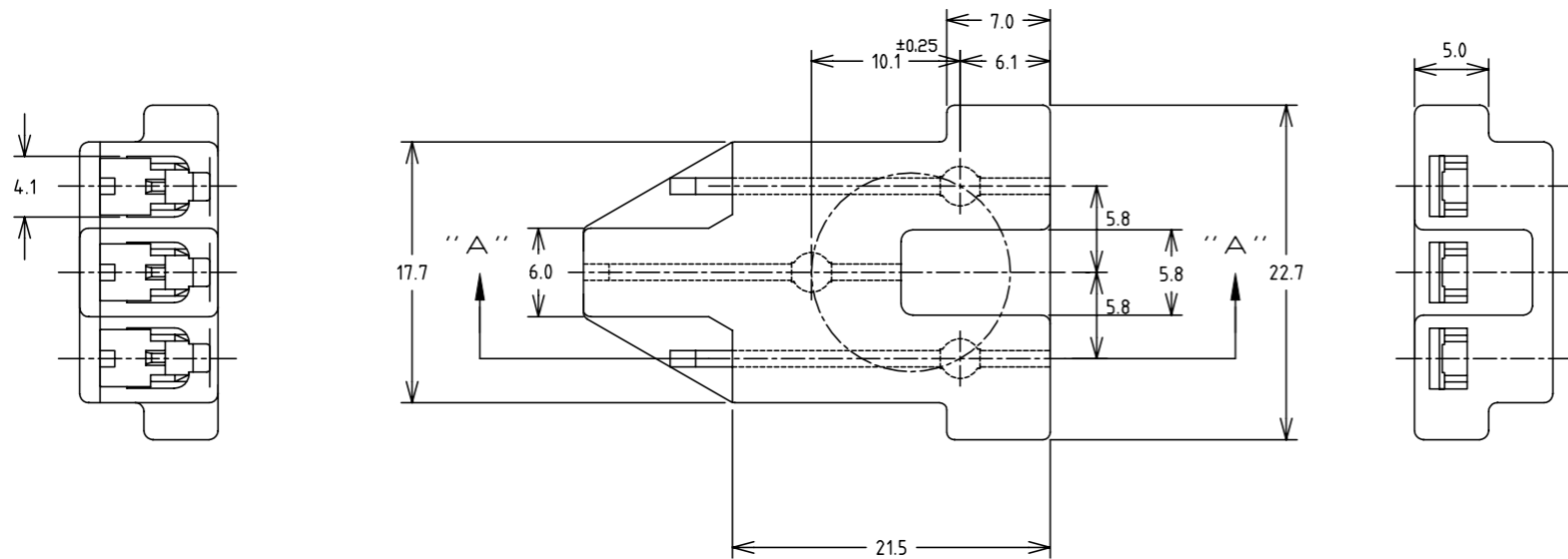
THIS DRAWING IS UNPUBLISHED.

RELEASED FOR PUBLICATION MAY, 21

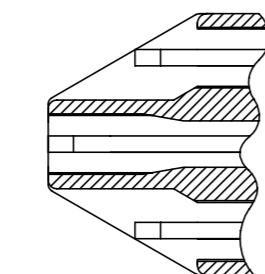
ALL RIGHTS RESERVED.

© COPYRIGHT 02 By -

| LOC | DIST | REVISIONS |     |             |      |     |      |
|-----|------|-----------|-----|-------------|------|-----|------|
|     |      | P         | LTR | DESCRIPTION | DATE | DWN | APVD |
| J   |      | -         | -   | SEE SHEET 1 | -    | -   | -    |



断面 "A" - "A" SECT



断面 "B" - "B" SECT

注記:

1. 一般公差 : ±0.2
2. 適用ピン リセプタクル型番 : □-170063-□, □-353937-□, □-1123655-□
3. 適用規格番号: 108-140004 (型番 171370-7)
4. PRELIMINARY-NOT FOR PRODUCTION
5. PARTS COMPLY WITH GLOW WIRE REQUIREMENTS DETAILED IN IEC 60335-1

NOTES:

1. GENERAL TOLERANCE ±0.2
2. APPLICABLE CONTACT PART No. : □-170063-□, □-353937-□, □-1123655-□
3. PRODUCT SPEC No.: 108-140004 (FOR PART No. 171370-7)
4. PRELIMINARY-NOT FOR PRODUCTION
5. PARTS COMPLY WITH GLOW WIRE REQUIREMENTS DETAILED IN IEC 60335-1
6. PRELIMINARY PART

|    |               |                                   |               |
|----|---------------|-----------------------------------|---------------|
| △6 | 171370-8      | PPS (UL94V-0)                     | (NATURAL)     |
| △5 | 171370-6      | PA 6 GLASS FILLED                 | 自然色 (NATURAL) |
|    | 171370-7      | 液晶ポリマー (UL94V-0)<br>LCP (UL94V-0) | 自然色 (NATURAL) |
|    | 型番 (PART No.) | 材料 (MATERIAL)                     | 色 (COLOR)     |

|   |  |                         |                            |           |               |
|---|--|-------------------------|----------------------------|-----------|---------------|
| THIS DRAWING IS A CONTROLLED DOCUMENT.      |  | DWN                     | <b>STE</b> TE Connectivity |           |               |
| DIMENSIONS: 単位: 耗 mm                        |  | CHK                     |                            |           |               |
| TOLERANCES UNLESS OTHERWISE SPECIFIED: 一般公差 |  | APVD                    | NAME 名称                    |           |               |
| 0 PLC ±                                     |  | PRODUCT SPEC 製品規格       | 2.3 DIA CLUSTER BLOCK      |           |               |
| 1 PLC ±                                     |  | APPLICATION SPEC 取付適用規格 | Φ2.3 クラスタブロック              |           |               |
| 2 PLC ±                                     |  | WEIGHT                  | SIZE                       | CAGE CODE | DRAWING NO 番号 |
| 3 PLC ±                                     |  | CUSTOMER DRAWING        | A3                         | 00779     | C=171370      |
| 4 PLC ±                                     |  |                         | SCALE 尺度                   | 4:1       | SHEET         |
| ANGLES ±                                    |  | RESTRICTED TO           | REV R1                     |           |               |
| FINISH 仕上                                   |  |                         |                            |           |               |
| MATERIAL 材料                                 |  |                         |                            |           |               |
| SEE TABLE                                   |  |                         |                            |           |               |

## X-ON Electronics

Largest Supplier of Electrical and Electronic Components

*Click to view similar products for [Terminal Block Tools & Accessories](#) category:*

*Click to view products by [TE Connectivity](#) manufacturer:*

Other Similar products are found below :

[00171430102](#) [00171420102](#) [600HL](#) [600RJ-07](#) [600RJ-11](#) [600RJ-14](#) [600RJS-10](#) [600RJS-12](#) [600RJS-15](#) [600RJS-21](#) [601RJ-09](#) [602SP](#) [602Z](#)  
[604J](#) [CSTSPC1-2](#) [7B941-7](#) [88943-2100](#) [QC102](#) [1437403-6](#) [1437403-9](#) [1437403-8](#) [1453128-1](#) [147832-1](#) [EC0037-000](#) [MT2/H--](#) [MT6/H-N](#)  
[MT6/V-GRND](#) [MT8/H-51-60](#) [BC2-12](#) [BCC-1-8/10](#) [EP2.5/4UN/BG](#) [1707755](#) [1735590](#) [1755480](#) [1789281](#) [1840227](#) [1840230](#) [2-1437402-1](#)  
[JA2-03](#) [JB1-03/J](#) [JB2-04](#) [JB2-05](#) [JB2-07](#) [JB2-09/J](#) [PARALLELJUMPERLINK](#) [JS601](#) [2204082](#) [2302463](#) [2305949](#) [8PCV-BUSHING](#)