

171433-1 ✓ ACTIVE

FASTIN-FASTON | FASTIN-FASTON 250

TE Internal #: 171433-1

FASTIN-FASTON 250, Crimp Terminal Housings, Tab, Tab Housing, 6 Position, Straight, Natural Crimp Terminal Housing Housing Color, Nylon

[View on TE.com >](#)



Terminals & Splices > Terminal Housings, Insulation Sleeves & Blocks > Crimp Terminal Housings



Terminal & Splice Type: **Tab**

Housing Type: **Tab Housing**

Number of Crimp Terminal Housing Positions: **6**

Crimp Terminal Housing Terminal Orientation: **Straight**

Crimp Terminal Housing Housing Color: **Natural**

Features

Product Type Features

Product Type	Terminal Housing
Terminates To	Wire & Cable
Housing Type	Tab Housing
Sealable	No
Insulated	No

Configuration Features

Number of Crimp Terminal Housing Positions	6
--	---

Body Features

Crimp Terminal Housing Housing Color	Natural
Crimp Terminal Housing Mating Retention	Without
Crimp Terminal Housing Mating Alignment	With

Contact Features

Terminal & Splice Type	Tab
Crimp Terminal Housing Terminal Orientation	Straight



Mechanical Attachment

Crimp Terminal Housing Mounting Style	Cable Mount (Free-Hanging)
---------------------------------------	----------------------------

Housing Features

Crimp Terminal Housing Housing Material	Nylon
---	-------

Dimensions

Length	32.2 mm[1.26 in]
Crimp Terminal Housing Centerline	9.2 mm[.362 in]

Usage Conditions

Operating Temperature Range	-40 – 105 °C[-40 – 221 °F]
-----------------------------	----------------------------

Packaging Features

Packaging Quantity	100
Crimp Terminal Housing Packaging Method	Carton

Product Compliance

[For compliance documentation, visit the product page on TE.com>](#)

EU RoHS Directive 2011/65/EU	Compliant
EU ELV Directive 2000/53/EC	Compliant
China RoHS 2 Directive MIIT Order No 32, 2016	No Restricted Materials Above Threshold
EU REACH Regulation (EC) No. 1907/2006	Current ECHA Candidate List: JAN 2021 (211) Candidate List Declared Against: JAN 2021 (211) Does not contain REACH SVHC
Halogen Content	Not Low Halogen - contains Br or Cl > 900 ppm.
Solder Process Capability	Not applicable for solder process capability

Product Compliance Disclaimer

This information is provided based on reasonable inquiry of our suppliers and represents our current actual knowledge based on the information they provided. This information is subject to change. The part numbers that TE has identified as EU RoHS compliant have a maximum concentration of 0.1% by weight in homogenous materials for lead, hexavalent chromium, mercury, PBB, PBDE, DBP, BBP, DEHP, DIBP, and 0.01% for cadmium, or qualify for an exemption to these limits as defined in the Annexes of Directive 2011/65/EU (RoHS2). Finished electrical and electronic equipment products will be CE marked as required by Directive 2011/65/EU. Components may not be CE marked. Additionally, the part numbers that TE has identified as EU ELV compliant have a maximum concentration of 0.1% by weight in homogenous materials for lead, hexavalent chromium, and mercury, and 0.01% for cadmium, or qualify for an exemption to these limits as defined in the Annexes of Directive 2000/53/EC (ELV). Regarding the REACH Regulation, the information TE provides on SVHC in articles for this part number is based on the latest European Chemicals Agency (ECHA) 'Guidance on requirements for substances in articles' posted at this URL: <https://echa.europa.eu/guidance-documents/guidance-on-reach>

Compatible Parts



TE Part # 170340-1
FF 250 TAB 20-14AWG BR WITHOUT LATCH



TE Part # 170341-3
FF 250 TAB 14-12AWG PTBR WITHOUT LATCH



TE Part # 170349-2
FF 250 TAB 22-20AWG TPBR WITHOUT LATCH



TE Part # 170340-3
FF 250 TAB 20-14AWG PTBR WITHOUT LATCH



TE Part # 170341-1
FF 250 TAB 14-12AWG BR WITHOUT LATCH



TE Part # 170349-1
FF 250 TAB 22-20AWG BR WITHOUT LATCH



TE Part # 2348943-1
FF 187&250 TAB HSG 9P NYLON NAT

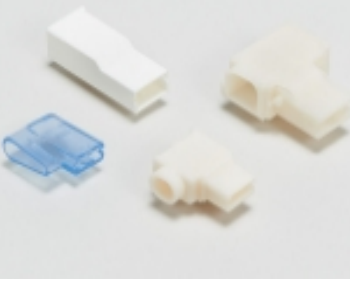


TE Part # 880309-2
1 WAY FF 250 HOUSING TAB NYLON 6.6 BLACK




TE Part # 927357-1
FF 110 2P HOUSING PA66 NATURAL


Also in the Series | FASTIN-FASTON 250




Crimp Terminal Housings(216)



Insertion & Extraction Tools(2)



PCB Terminals(2)



Quick Disconnects(258)

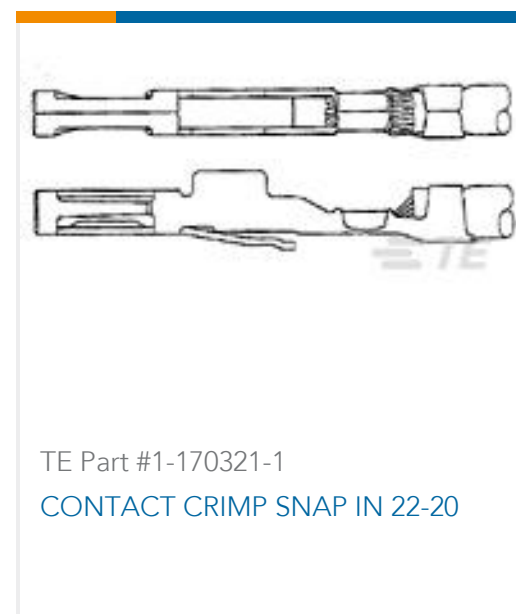
Customers Also Bought



TE Part #1-178317-3
DYNAMIC S/ROW HDR 8P V ASSY



TE Part #1-179555-6
DYNAMIC 3200 REC AND TAB HSG



TE Part #1-170321-1
CONTACT CRIMP SNAP IN 22-20



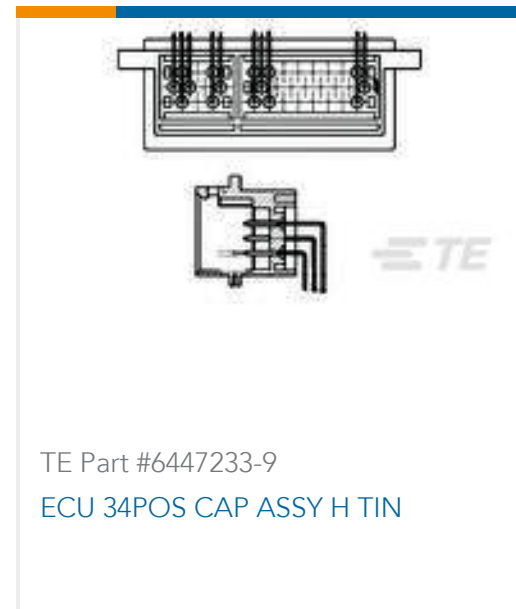
TE Part #1-171432-2
FF 312 REC HSG 6P NYLON RED



TE Part #1-171433-6
FF TAB HSG 6P NYLON BLUE



TE Part #1-174258-1
E-J MK-2 PLUG HSG 4P NATURAL



TE Part #6447233-9
ECU 34POS CAP ASSY H TIN



TE Part #1-174878-1
E-J MK-2 PLUG HSG 1P NATURAL

Documents

Product Drawings

[FF 250 TAB HSG 6P NYLON NAT](#)

Japanese

CAD Files

[3D PDF](#)

3D

Customer View Model

[ENG_CVM_CVM_171433-1_D.2d_dxf.zip](#)

English

Customer View Model

[ENG_CVM_CVM_171433-1_D.3d_igs.zip](#)

English

Customer View Model

[ENG_CVM_CVM_171433-1_D.3d_stp.zip](#)

English

By downloading the CAD file I accept and agree to the [Terms and Conditions](#) of use.

Datasheets & Catalog Pages

[White Paper: Nylon Discoloration](#)

English

Product Specifications

[Application Specification](#)

English

Product Environmental Compliance

[Product Compliance](#)



English

[Product Compliance](#)

English

[Agency Approvals](#)

[UL Report](#)

English

X-ON Electronics

Largest Supplier of Electrical and Electronic Components

Click to view similar products for [Headers & Wire Housings](#) category:

Click to view products by [TE Connectivity](#) manufacturer:

Other Similar products are found below :

[892-18-020-10-001101](#) [58102-G61-06LF](#) [582553-1](#) [0009485154](#) [009176003701906](#) [0050291907](#) [LY20-4P-DT1-P1E-BR](#) [02.125.8002.8](#)
[609-3404](#) [61062-3](#) [61082-181009](#) [622-3653LF](#) [63453-116](#) [636-1030](#) [636-1427](#) [636-3427](#) [636-4007](#) [641938-9](#) [641991-4](#) [644827-2](#) [65817-010LF](#) [65817-015LF](#) [65863-015LF](#) [66207-023LF](#) [67095-007LF](#) [67601157](#) [68645-018](#) [68648-049](#) [70.362.1628.0](#) [70-4210](#) [70-4226B](#) [70-4853B](#) [707-5020](#) [707-5028](#) [71.350.2428.0](#) [71918-208LF](#) [71961-016LF](#) [733-134](#) [733-162](#) [754199-000](#) [760-3052](#) [787-8014-00](#) [79531-3000](#)
[FCN-360C032-B](#) [FCN-367T-T012/H](#) [FCN-723D010/2](#) [80.063.4001.1](#) [800-90-001-10-001000](#) [800-90-010-10-002000](#) [801-43-002-10-013000](#)