

4

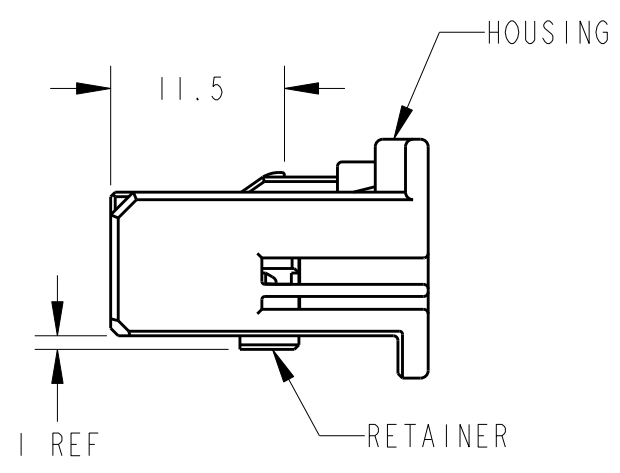
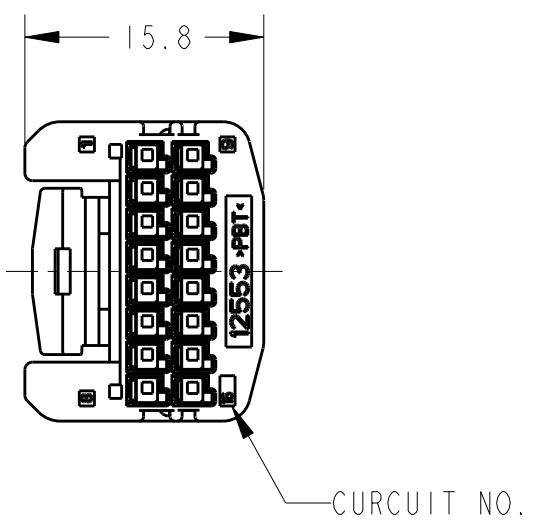
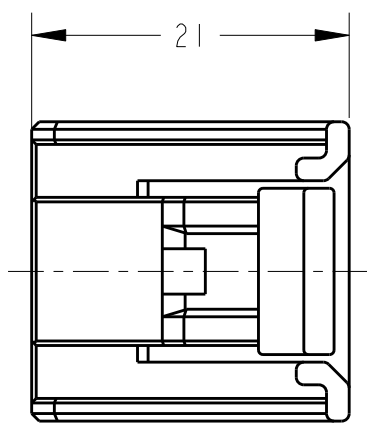
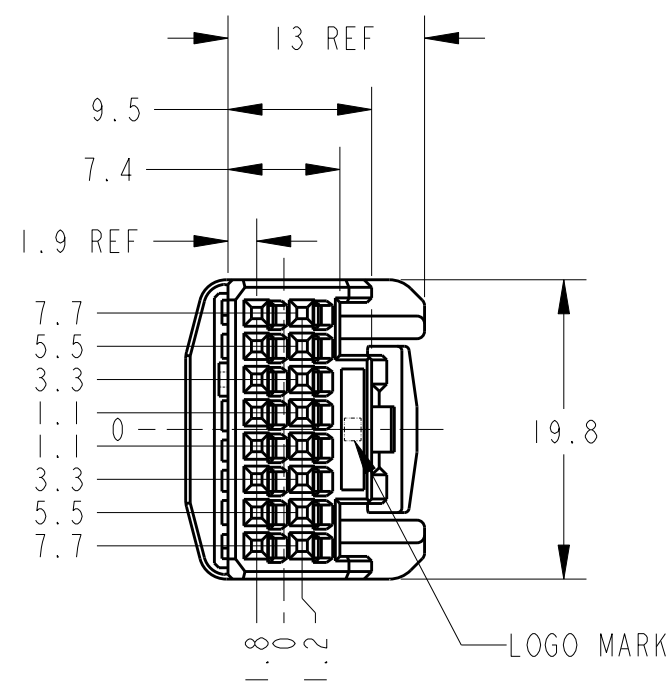
3

2

1

THIS DRAWING IS UNPUBLISHED. RELEASED FOR PUBLICATION 2004  
 © COPYRIGHT 2004 ALL RIGHTS RESERVED.

LOC	DIST	REVISIONS							
		P	LTR	DESCRIPTION	ECN	DATE	DWN	APVD	
J	-		0	作成	RELEASED	FJA0-0067-04	26JAN04	SA	KA
			01	ADD	-2	ECR-05-011611	22SEP05	AY	HY
			A	REVISED		ECR-10-007503	21APR10	TS	KB
			A1	REVISED		ECR-15-004383	23MAR2015	TS	KB



1. RETAINER SHOULD BE SENT TO THE PRE-ASSEMBLY.
2. INSTRUCTION SHEET NO. 411-78080.
3. PART NUMBER OF CAP HOUSING TO BE MATED : SEE TABLE-1
4. APPLIED TERMINALS : SEE TABLE-2

1. プラグハウジングにリテーナを仮係止して出荷される
2. 取扱説明書NO. 411-78080
3. 嵌合相手型番 : TABLE-1参照
4. 適用端子 : TABLE-2参照

TABLE - 1

POS 極数	CAP ASSEMBLY PART NO. キャップ 型番	
16	W-W	1376106
	W-B	1473796
	W-B	1318382

PACKING STYLE 梱包形態	COLOR	PART NUMBER
PAPER BOX ダンボール	BLACK	1717109-2 <sup>(01)</sup>
PLASTIC BAG ビニール袋	NATURAL	1717109-1
OUTER 外装	INNER 内装	

TABLE - 2

	TERMINAL NO. 端子型番	APPLICABLE WIRE RANGE 適用電線
SIGNAL 0.64111	TIN 1674311-1	AVSS/CAVS/CAVUS/AVSSH-f
	SELECTIVE GOLD 1674311-2	0.3~0.5mm <sup>2</sup>

THIS DRAWING IS A CONTROLLED DOCUMENT.		DWN S. AMEMIYA 26JAN04	TE Connectivity	
DIMENSIONS: 単位: 耗 mm		CHK H. YAMAGAMI 26JAN04		
TOLERANCES UNLESS OTHERWISE SPECIFIED:		APVD K. ASAI 26JAN04	NAME 名称 0.64111 16P PLUG HSG ASSEMBLY	
一般公差 ±0.3 0-PLC ± 1-PLC ±0.1 2-PLC ±0.01 3-PLC ±0.001 4-PLC ±0.0001 ANGLES ±3'00"		PRODUCT SPEC 製品規格 108-5931	SIZE A3	
MATERIAL 材料 PBT		APPLICATION SPEC 取付適用規格 114-5329	CAGE CODE	RESTRICTED TO
FINISH 仕上 SEE TABLE		WEIGHT 2.76 g	DRAWING NO 番号 C-1717109	
		CUSTOMER DRAWING	SCALE 尺度 2:1	SHEET OF 1
			REV A1	

## X-ON Electronics

Largest Supplier of Electrical and Electronic Components

*Click to view similar products for [Automotive Connectors](#) category:*

*Click to view products by [TE Connectivity](#) manufacturer:*

Other Similar products are found below :

[003-018-000](#) [60403001](#) [60993906-B](#) [M902-2131](#) [M902-2161](#) [M902-2344](#) [72.330.1035.1](#) [73.353.4028.0](#) [F119300-B](#) [F166900](#) [F258300-B](#)  
[F358300-B](#) [F407400](#) [F444110](#) [F487000](#) [F509500B-B](#) [827153-1](#) [8N1515-32-24P](#) [9-1326729-8](#) [925474-1](#) [928905-1](#) [964562-4](#) [968782-1](#)  
[GT17SA-8DS-HU](#) [98891-1012](#) [98947-1016](#) [12004147](#) [12004475-L](#) [12010290](#) [12010309-B](#) [12015454](#) [12020219-B](#) [12041318-B](#) [12052225-](#)  
[L](#) [12052466](#) [12064869](#) [12004327-B](#) [12015308](#) [12015384](#) [12015909](#) [1-21030-1](#) [12041254](#) [12041318](#) [12047946-B](#) [12047957](#) [12047957-L](#)  
[12059473](#) [12066261](#) [12110546](#) [12110546-B](#)