

1717138-4 ✓ ACTIVE

AMP | TH/.025 Connector System

TE Internal #: 1717138-4

TH/.025 Connector System, Housing for Female Terminals, Wire-to-Device / Wire-to-Board, 44 Position

[View on TE.com >](#)



Connectors > Automotive Connectors > Connector Housings > TH/.025 CONNECTOR SYSTEM, HOUSING



Connector & Housing Type: **Housing for Female Terminals**

Mating Tab Width: **.64 mm, 1 mm [.025 in, .04 in]**

Connector System: **Wire-to-Board, Wire-to-Device**

Number of Positions: **44**

Centerline (Pitch): **2.5 mm, 3 mm, 12.5 mm [.098 in, .118 in, .492 in]**

[All TH/.025 CONNECTOR SYSTEM, HOUSING \(205\)](#)

Features

Product Type Features

| | |
|--------------------------|-------------------------------|
| Connector & Housing Type | Housing for Female Terminals |
| Connector System | Wire-to-Board, Wire-to-Device |
| Sealable | Yes |
| Hybrid Connector | Yes |
| Primary Locking Feature | Integrated in Housing |

Configuration Features

| | |
|---------------------|------|
| Number of Positions | 44 |
| Number of Rows | 4, 5 |

Electrical Characteristics

| | |
|------------------------------|--------|
| Operating Voltage | 12 VDC |
| Nominal Voltage Architecture | 12 V |

Body Features

| | |
|-----------------------|--------|
| Cable Exit Angle | 180° |
| Body Material | PBT GF |
| Primary Product Color | Green |

Contact Features

| | |
|------------------|-------------------------------|
| Mating Tab Width | .64 mm, 1 mm[.025 in][.04 in] |
|------------------|-------------------------------|



Mechanical Attachment

| | |
|-----------------------------|-----------|
| Mounting Feature | Without |
| Terminal Position Assurance | Yes |
| Strain Relief | No |
| Mating Alignment Type | Polarized |

Housing Features

| | |
|--------------------|---|
| Centerline (Pitch) | 2.5 mm, 3 mm, 12.5 mm [.098 in][.118 in][.492 in] |
|--------------------|---|

Dimensions

| | |
|--------------------|----------------------------------|
| Product Width | 46.7 mm [1.839 in] |
| Product Length | 27.2 mm [1.071 in] |
| Product Height | 51.6 mm [2.031 in] |
| Row-to-Row Spacing | 2 mm, 3.75 mm [.079 in][.148 in] |

Usage Conditions

| | |
|-----------------------------|--|
| Operating Temperature (Max) | 70 °C, 75 °C, 80 °C, 85 °C, 90 °C, 100 °C, 105 °C, 110 °C, 120 °C [158 °F][167 °F][176 °F][185 °F][194 °F][212 °F][221 °F][230 °F][248 °F] |
| Operating Temperature Range | -40 – 120 °C [-40 – 248 °F] |

Operation/Application

| | |
|---------------------|--------|
| Circuit Application | Signal |
|---------------------|--------|

Industry Standards

| | |
|------------------------|---------|
| UL Flammability Rating | UL 94HB |
|------------------------|---------|

Packaging Features

| | |
|--------------------|----|
| Packaging Quantity | 35 |
|--------------------|----|

Other

| | |
|--------------------------------------|-----|
| Serviceable | Yes |
| Connector Position Assurance Capable | No |

Product Compliance

For compliance documentation, visit the product page on [TE.com](#)>

| | |
|------------------------------|--------------|
| EU RoHS Directive 2011/65/EU | Compliant |
| EU ELV Directive 2000/53/EC | Out of Scope |



| | |
|---|---|
| China RoHS 2 Directive MIIT Order No 32, 2016 | No Restricted Materials Above Threshold |
| EU REACH Regulation (EC) No. 1907/2006 | Current ECHA Candidate List: JUL 2021 (219) Candidate List Declared Against: JUL 2021 (219) Does not contain REACH SVHC |
| Halogen Content | Low Halogen - Br, Cl, F, I < 900 ppm per homogenous material. Also BFR/CFR/PVC Free |
| Solder Process Capability | Not applicable for solder process capability |

Product Compliance Disclaimer

This information is provided based on reasonable inquiry of our suppliers and represents our current actual knowledge based on the information they provided. This information is subject to change. The part numbers that TE has identified as EU RoHS compliant have a maximum concentration of 0.1% by weight in homogenous materials for lead, hexavalent chromium, mercury, PBB, PBDE, DBP, BBP, DEHP, DIBP, and 0.01% for cadmium, or qualify for an exemption to these limits as defined in the Annexes of Directive 2011/65/EU (RoHS2). Finished electrical and electronic equipment products will be CE marked as required by Directive 2011/65/EU. Components may not be CE marked. Additionally, the part numbers that TE has identified as EU ELV compliant have a maximum concentration of 0.1% by weight in homogenous materials for lead, hexavalent chromium, and mercury, and 0.01% for cadmium, or qualify for an exemption to these limits as defined in the Annexes of Directive 2000/53/EC (ELV). Regarding the REACH Regulation, the information TE provides on SVHC in articles for this part number is based on the latest European Chemicals Agency (ECHA) 'Guidance on requirements for substances in articles' posted at this URL: <https://echa.europa.eu/guidance-documents/guidance-on-reach>

Compatible Parts



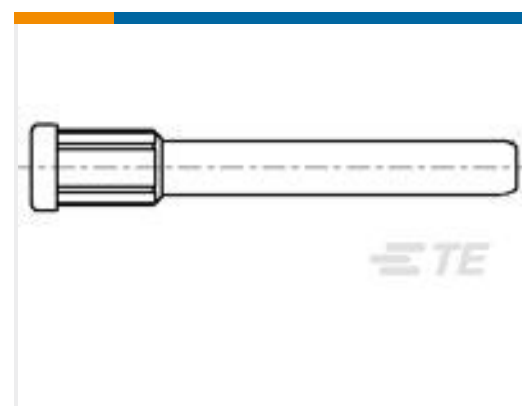
TE Part # 1717139-1
025/040 SEALED 132POS CAP ASSY



TE Part # CAT-T319-T273
TH/.025 CONNECTOR SYSTEM, RECPT AND TAB



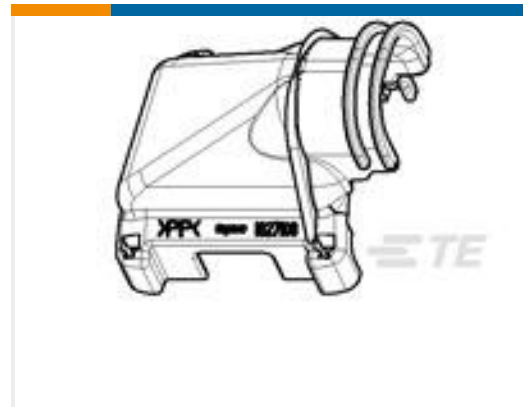
TE Part # 1612776-1
REC CONTACT ASSY S RANGE CLEAN



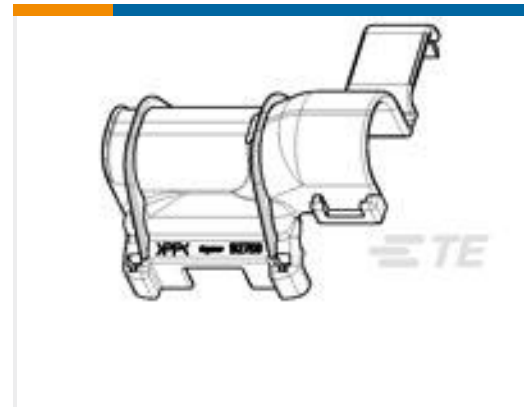
TE Part # 1612108-4
025/040 CAVITY PLUG



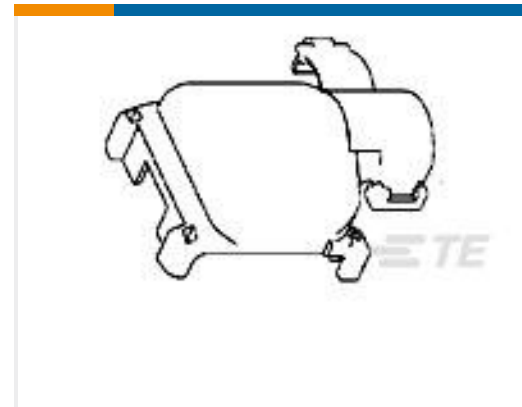
TE Part # 1746089-1
025/040 44POS COVER V



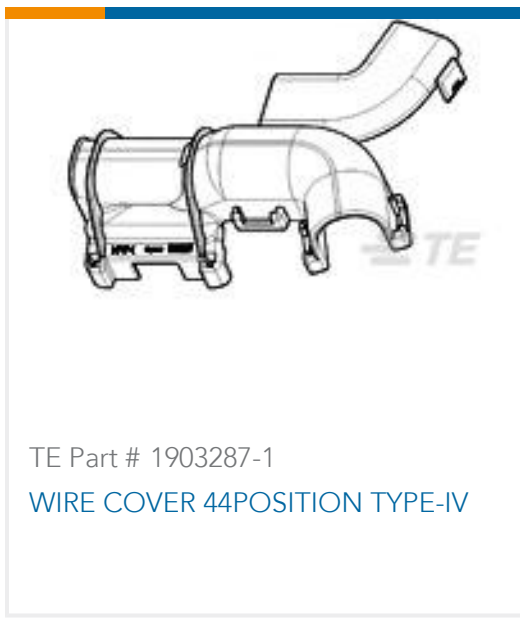
TE Part # 1827108-1
025/040 44POS COVER A-TYPE



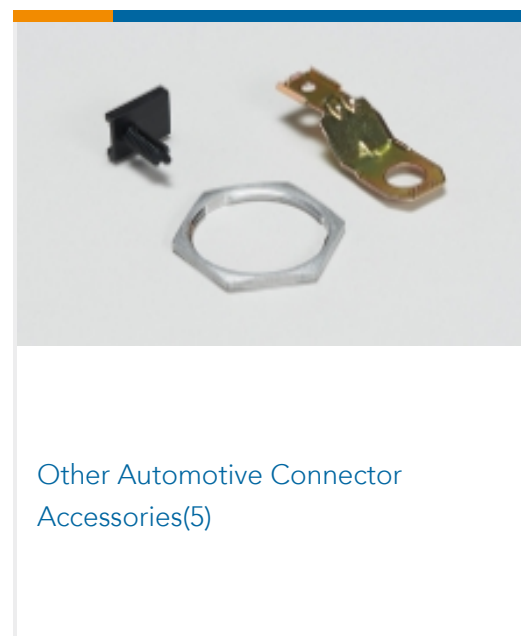
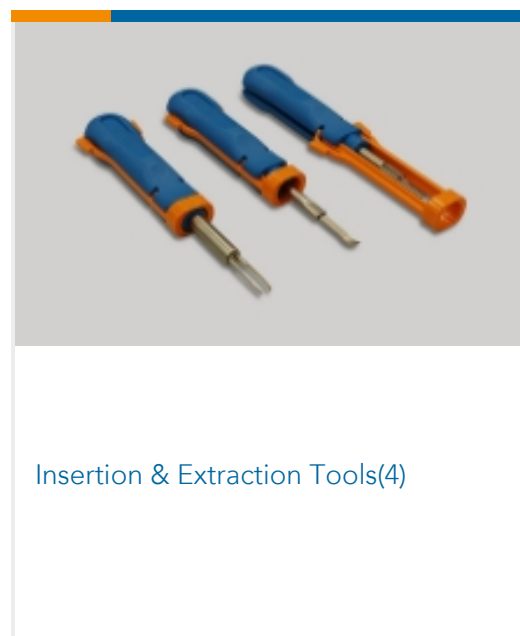
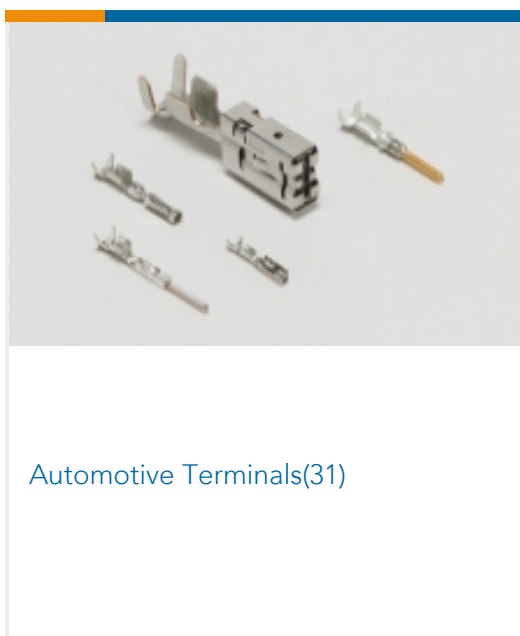
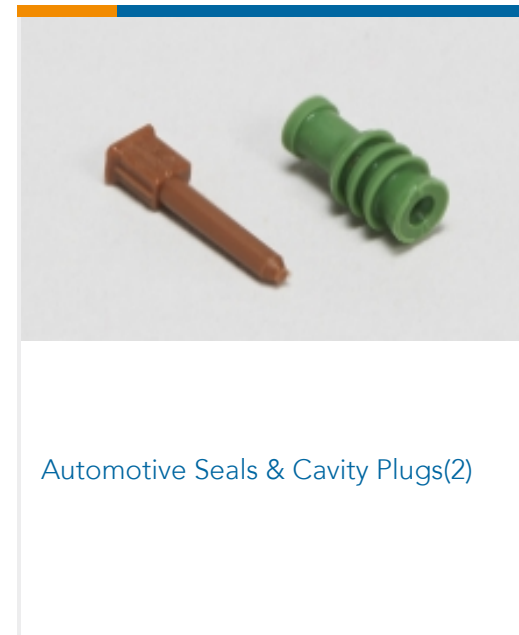
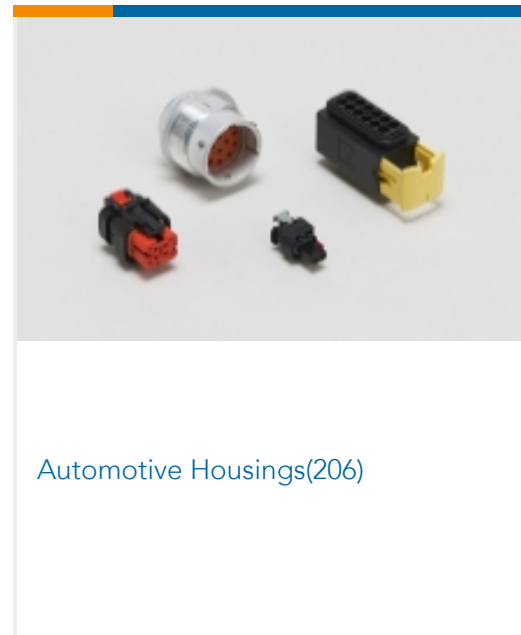
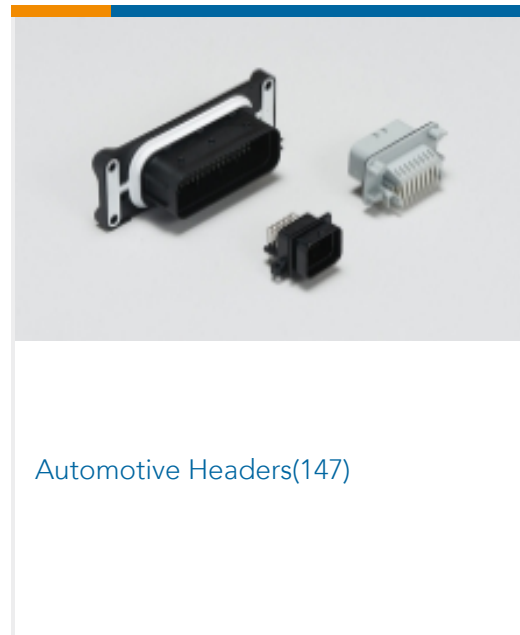
TE Part # 1827109-1
025/040 44POS COVER B-TYPE



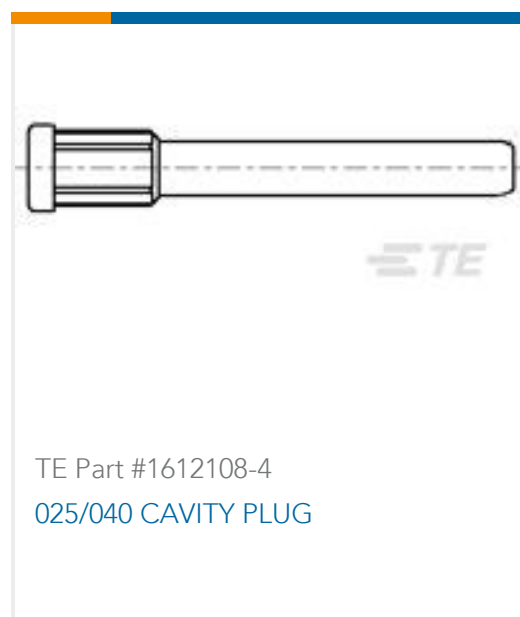
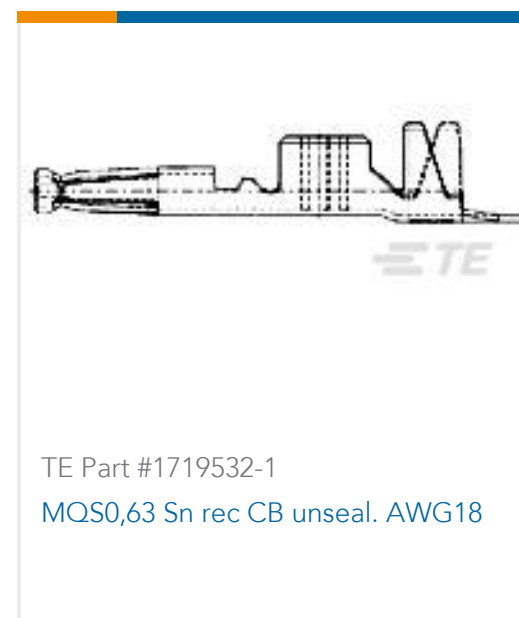
TE Part # 1674419-2
WIRE COVER 44POSITION C-TYPE

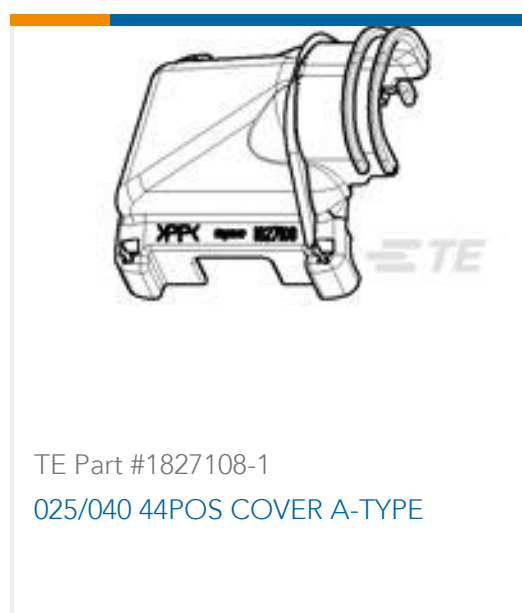


Also in the Series | TH/.025 Connector System



Customers Also Bought





Documents

Product Drawings

[025/040 SEALED 44POS PLUG ASSY](#)

Japanese

CAD Files

[3D PDF](#)

3D

Customer View Model

[ENG_CVM_CVM_1717138-4_A.2d_dxf.zip](#)

English

Customer View Model

[ENG_CVM_CVM_1717138-4_A.3d_igs.zip](#)

English

Customer View Model

[ENG_CVM_CVM_1717138-4_A.3d_stp.zip](#)

English

By downloading the CAD file I accept and agree to the [Terms and Conditions](#) of use.

Datasheets & Catalog Pages

[TH/.025 Connector Series](#)

English

Product Specifications

[Crimping CLEAN BODY 025/040 Receptacle Contact](#)

English

[Application Specification](#)

English

Product Environmental Compliance

[Product Compliance](#)

English

[Product Compliance](#)

English

Instruction Sheets

[Instruction Sheet \(non U.S.\)](#)



Japanese

X-ON Electronics

Largest Supplier of Electrical and Electronic Components

Click to view similar products for [Automotive Connectors](#) category:

Click to view products by [TE Connectivity](#) manufacturer:

Other Similar products are found below :

[003-018-000](#) [60403001](#) [60993906-B](#) [M902-2131](#) [M902-2161](#) [72.330.1035.1](#) [73.353.4028.0](#) [F119300-B](#) [F166900](#) [F258300-B](#) [F358300-B](#)
[F407400](#) [F444110](#) [F487000](#) [F509500B-B](#) [827153-1](#) [8N1515-32-24P](#) [9-1326729-8](#) [925474-1](#) [928905-1](#) [964562-4](#) [968782-1](#) [GT17SA-8DS-](#)
[HU](#) [98891-1012](#) [98947-1016](#) [12004147](#) [12004475-L](#) [12010290](#) [12010309-B](#) [12015454](#) [12020219-B](#) [12020308](#) [12041318-B](#) [12052225-L](#)
[12052466](#) [12059125](#) [12064869](#) [12004327-B](#) [12010503-B](#) [12015308](#) [12015384](#) [12015909](#) [1-21030-1](#) [12041254](#) [12041318](#) [12047946-B](#)
[12047957](#) [12047957-L](#) [12059473](#) [12066261](#)