

1717139-1 ✓ ACTIVE



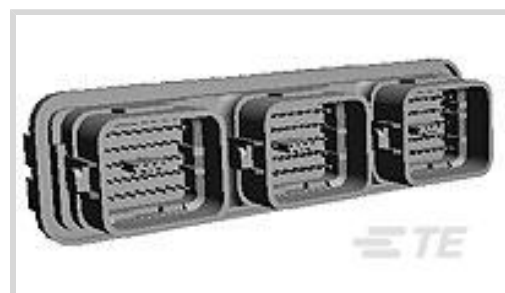
TH/.025 Connector System

TE Internal #: 1717139-1

TH/.025 Connector System, Automotive Headers, Wire-to-Board, 132 Position, 3mm / 2.5mm [.098in / .118in] Centerline, Sealable, Vertical, 2 / 3 Row

[View on TE.com >](#)

Connectors > Automotive Connectors > Automotive Headers > HIGH PIN COUNT HEADER



Connector System: **Wire-to-Board**

Number of Positions: **132**

Centerline (Pitch): **2.5 mm, 3 mm [.098 in, .118 in]**

Sealable: **Yes**

PCB Mount Orientation: **Vertical**

[All HIGH PIN COUNT HEADER \(148\)](#)

Features

Product Type Features

Hybrid Header	Yes
PCB Connector Assembly Type	PCB Mount Header
Header Type	Fully Shrouded
Connector System	Wire-to-Board
Sealable	Yes
Connector & Contact Terminates To	Printed Circuit Board

Configuration Features

Number of Sections	3
Number of Signal Positions	132
Number of Positions	132
PCB Mount Orientation	Vertical
Number of Rows	2, 3

Electrical Characteristics

Voltage Rating (Max)	12 VDC
Nominal Voltage Architecture	12 V
Operating Voltage	12 VDC

Body Features



Primary Product Color	Black
-----------------------	-------

Contact Features

Contact Type	Tab
Mating Tab Width	.64 mm, 1 mm [.025 in][.039 in]
Mating Tab Thickness	.64 mm [.025 in]
Contact Mating Area Plating Material	Tin (Sn)

Termination Features

Termination Method to Printed Circuit Board	Through Hole - Solder
---	-----------------------

Mechanical Attachment

Locking Interface	With
Mounting Holes	With
PCB Mount Alignment	Without
Panel Mount Feature	Without
PCB Mount Retention	Without

Housing Features

Centerline (Pitch)	2.5 mm, 3 mm [.098 in][.118 in]
--------------------	---------------------------------

Dimensions

PCB Thickness (Recommended)	1.6 mm [.063 in]
Profile Height from PCB	33.8 mm [1.33 in]
Product Width	147.4 mm [5.803 in]
Product Length	41.4 mm [1.63 in]

Usage Conditions

Operating Temperature (Max)	65 °C, 70 °C, 75 °C, 80 °C, 85 °C, 90 °C, 100 °C, 105 °C, 110 °C, 120 °C [149 °F][158 °F][167 °F][176 °F][185 °F][194 °F][212 °F][221 °F][230 °F][248 °F]
Operating Temperature Range	-40 – 120 °C [-40 – 248 °F]

Operation/Application

Shielded	Yes
Circuit Application	Signal

Industry Standards

UL Flammability Rating	UL 94HB
------------------------	---------



Packaging Features

Packaging Type	Tray
Packaging Quantity	10

Product Compliance

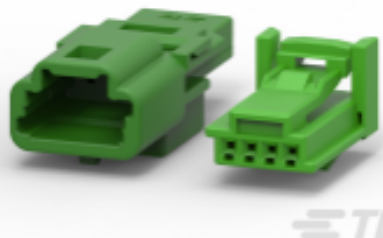
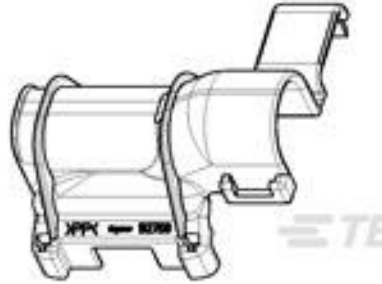
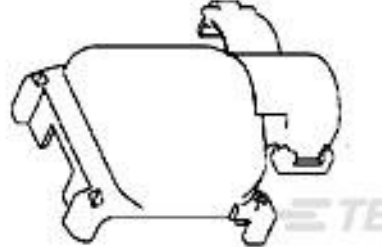
[For compliance documentation, visit the product page on TE.com>](#)

EU RoHS Directive 2011/65/EU	Compliant
EU ELV Directive 2000/53/EC	Out of Scope
China RoHS 2 Directive MIIT Order No 32, 2016	No Restricted Materials Above Threshold
EU REACH Regulation (EC) No. 1907/2006	Current ECHA Candidate List: JUL 2021 (219) Candidate List Declared Against: JAN 2021 (211) SVHC > Threshold: Not Yet Reviewed
Halogen Content	Low Halogen - Br, Cl, F, I < 900 ppm per homogenous material. Also BFR/CFR/PVC Free
Solder Process Capability	Wave solder capable to 240°C

Product Compliance Disclaimer

This information is provided based on reasonable inquiry of our suppliers and represents our current actual knowledge based on the information they provided. This information is subject to change. The part numbers that TE has identified as EU RoHS compliant have a maximum concentration of 0.1% by weight in homogenous materials for lead, hexavalent chromium, mercury, PBB, PBDE, DBP, BBP, DEHP, DIBP, and 0.01% for cadmium, or qualify for an exemption to these limits as defined in the Annexes of Directive 2011/65/EU (RoHS2). Finished electrical and electronic equipment products will be CE marked as required by Directive 2011/65/EU. Components may not be CE marked. Additionally, the part numbers that TE has identified as EU ELV compliant have a maximum concentration of 0.1% by weight in homogenous materials for lead, hexavalent chromium, and mercury, and 0.01% for cadmium, or qualify for an exemption to these limits as defined in the Annexes of Directive 2000/53/EC (ELV). Regarding the REACH Regulation, the information TE provides on SVHC in articles for this part number is based on the latest European Chemicals Agency (ECHA) 'Guidance on requirements for substances in articles' posted at this URL: <https://echa.europa.eu/guidance-documents/guidance-on-reach>

Compatible Parts

 <p>TE Part # CAT-T319-CH8172 TH/.025 CONNECTOR SYSTEM, HOUSING</p>	 <p>TE Part # 1827109-1 025/040 44POS COVER B-TYPE</p>	 <p>TE Part # 1674419-2 WIRE COVER 44POSITION C-TYPE</p>
--	---	---

Also in the Series | TH/.025 Connector System



Automotive Connector Caps & Covers (6)



Automotive Headers(147)



Automotive Housings(206)



Automotive Seals & Cavity Plugs(2)



Automotive Terminals(31)



Insertion & Extraction Tools(4)



Other Automotive Connector Accessories(5)

Customers Also Bought



TE Part #1717138-4
025/040 SEALED 44POS PLUG ASSY



TE Part #2098978-1
52 POSITION HYBRID VERTICAL HE



TE Part #6-2287906-1
FAKRA, 1 POS, EDGE MOUNT, 12 OCLOCK ASSY



TE Part #1-1803412-0
ANVIL, WIRE



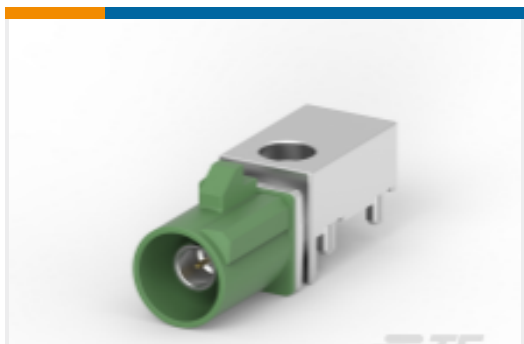
TE Part #1490019-4
CRIMPER, WIRE



TE Part #3-456404-4
CRIMPER, WIRE F .070



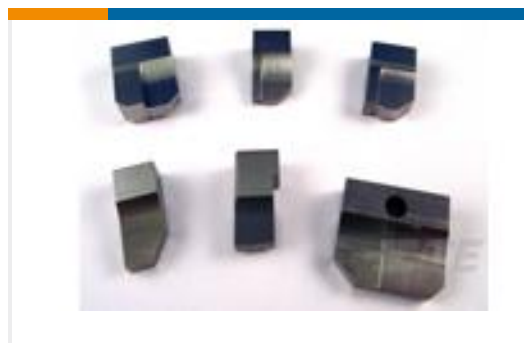
TE Part #4-2119785-2
CRIMPER, INSULATION OVERLAP PREMIUM



TE Part #5-2287906-5
FAKRA, 1 POS, EDGE MOUNT, 12 OCLOCK ASSY



TE Part #5-2287906-8
FAKRA, 1 POS, EDGE MOUNT, 12 OCLOCK ASSY



TE Part #318711-1
ANVIL, COMBINATION



Documents

Product Drawings

[025/040 SEALED 132POS CAP ASSY](#)

Japanese

CAD Files

[3D PDF](#)

3D

Customer View Model

[ENG_CVM_CVM_1717139-1_B.2d_dxf.zip](#)

English

Customer View Model

[ENG_CVM_CVM_1717139-1_B.3d_igs.zip](#)

English

Customer View Model

[ENG_CVM_CVM_1717139-1_B.3d_stp.zip](#)

English

By downloading the CAD file I accept and agree to the [Terms and Conditions](#) of use.

Product Specifications

[CLEAN BODY 025/040 SEALED 132POS CONNECTOR](#)

Japanese

[Product Specification](#)

Japanese

[CLEAN BODY 025/040 SEALED 132POS CONNECTOR](#)

Japanese

[Product Specification](#)

Japanese

Instruction Sheets

[Instruction Sheet \(non U.S.\)](#)

Japanese

X-ON Electronics

Largest Supplier of Electrical and Electronic Components

Click to view similar products for [Automotive Connectors](#) category:

Click to view products by [TE Connectivity](#) manufacturer:

Other Similar products are found below :

[003-018-000](#) [60403001](#) [60993906-B](#) [M902-2131](#) [M902-2161](#) [72.330.1035.1](#) [73.353.4028.0](#) [F119300-B](#) [F166900](#) [F258300-B](#) [F358300-B](#)
[F407400](#) [F444110](#) [F487000](#) [F509500B-B](#) [827153-1](#) [8N1515-32-24P](#) [9-1326729-8](#) [925474-1](#) [928905-1](#) [964562-4](#) [968782-1](#) [GT17SA-8DS-](#)
[HU](#) [98891-1012](#) [98947-1016](#) [12004147](#) [12004475-L](#) [12010290](#) [12010309-B](#) [12015454](#) [12020219-B](#) [12020308](#) [12041318-B](#) [12052225-L](#)
[12052466](#) [12059125](#) [12064869](#) [12004327-B](#) [12010503-B](#) [12015308](#) [12015384](#) [12015909](#) [1-21030-1](#) [12041254](#) [12041318](#) [12047946-B](#)
[12047957](#) [12047957-L](#) [12059473](#) [12066261](#)