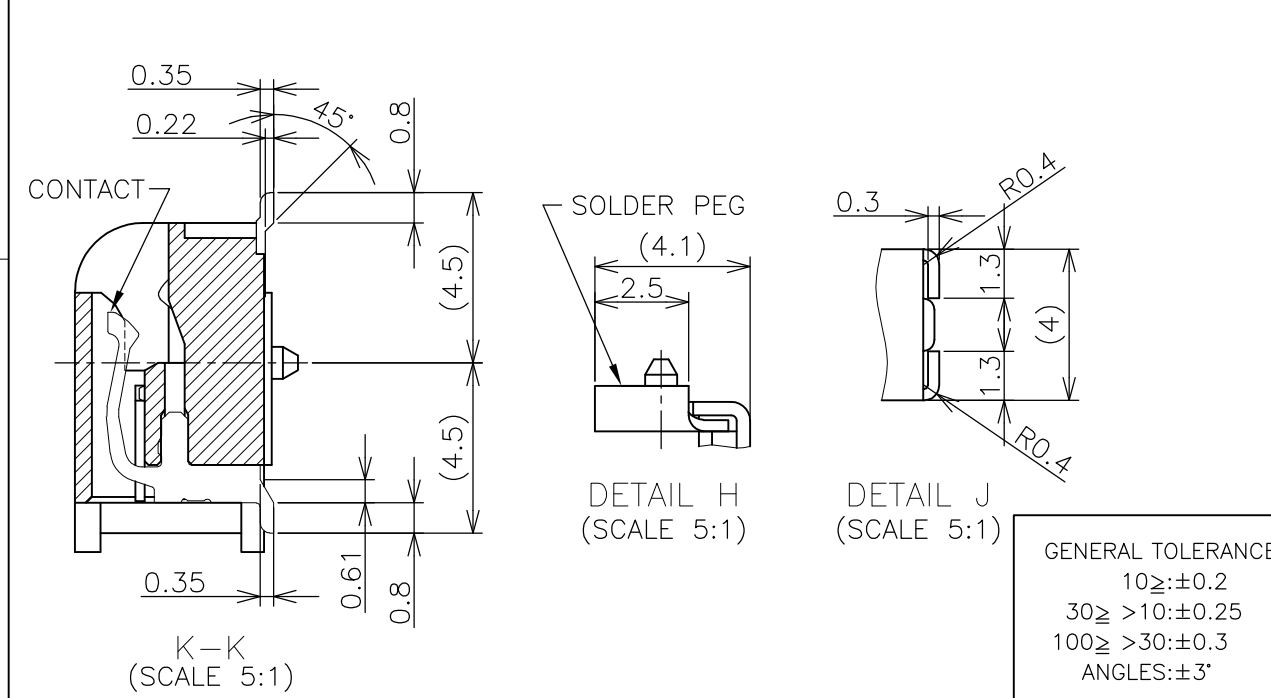


- (APPLIED TO SHEET 1-2)
- MATERIAL ; HOUSING: HIGH TEMPERATURE THERMO PLASTIC UL94V-0
CONTACT: COPPER ARROY
LOCK LEVER: STAINLESS STEEL
SOLDER PEG: COPPER ARROY
 - FINISH ; CONTACT AREA: GOLD FLASH ON 0.0013MIN ALL OVER NICKEL.
SOLDERING AREA: GOLD FLASH PLT.
SOLDER PEG: TIN PLATING.
- ⚠ MECHANICAL KEY POSITION OF CONNECTOR SEE TABLE.
 - ⚠ TOLERANCES NON-CUMULATIVE.
 - ⚠ NOT TO SCALE.
 - ⚠ [Dashed Box] INSIDE MUST BE RESIST COAT EXCEPT SOLDER PATTERN.
 - ⚠ COPLANARITY : 0.1 MAX.
 - ⚠ THE FLOATING VALUE BY SOLDERING IS NOT INCLUDED.
 - ⚠ NOT MATING CONDITION.
- 10 IF THE MODULE DOESN'T INSERT AND LOCK IN THE LATCH SMOOTHLY, OPEN WIDE BOTH LATCHES BY MANUAL. AND THE MODULE MUST BE INSERTED AND LOCKED IN THE LATCH.



TYPE 2	AVAILABLE	—H—	1.8V (DDR2)	17.55	2.4	2.7	200	1717254-4	
TYPE 1	AVAILABLE	—H—	2.5V (DDR1)	18.45	1.5	1.8	200	1717254-1	
TAB TYPE	TOOLING STATUS	REMARK	POWER SUPPLY (TYPE)	D5	D4	D3	POS	PART NO.	
THIS DRAWING IS A CONTROLLED DOCUMENT.			DWN	16JUL10		TE Connectivity DDR1 & DDR2 SODIMM SOCKET 0.6mm PITCH 200POS STANDARD PROFILE STANDARD TYPE			
DIMENSIONS: MM			CHK	16JUL10					
TOLERANCES UNLESS OTHERWISE SPECIFIED:			APVD	16JUL10					NAME
0 PLC ±			108-5701		PRODUCT SPEC				
1 PLC ±			APPLICATION SPEC		SIZE	CAGE CODE	DRAWING NO	RESTRICTED TO	
2 PLC ±			WEIGHT		A300779		C=1717254		
3 PLC ±			CUSTOMER DRAWING		SCALE	SHEET		REV	
4 PLC ±					2:1	1 OF 4		D2	
ANGLES ±									
FINISH ±									

4

3

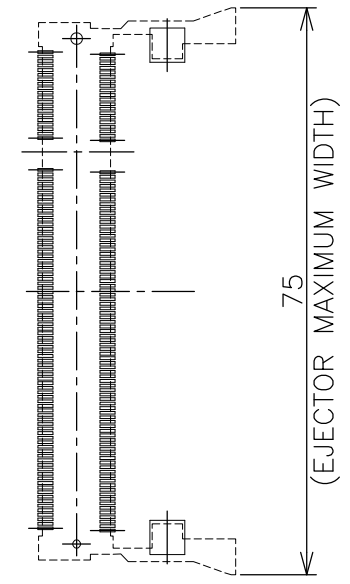
2

1

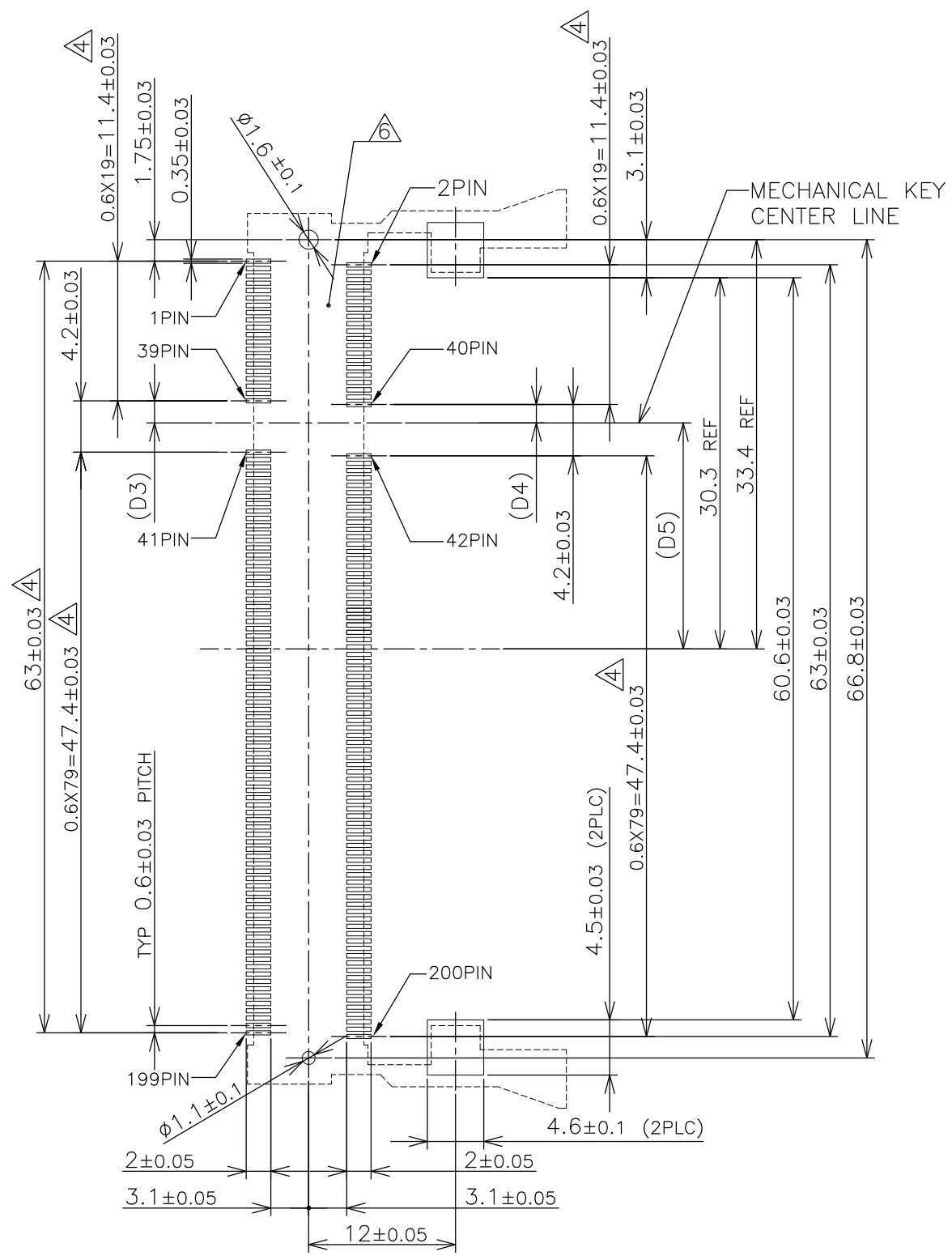
THIS DRAWING IS UNPUBLISHED. RELEASED FOR PUBLICATION NOV. 2001.
 © COPYRIGHT 2001 By - ALL RIGHTS RESERVED.

LOC	DIST	REVISIONS					
J		P	LTR	DESCRIPTION	DATE	DWN	APVD
		-	-	SEE SHEET 1	-	-	-

REFERENCE P.C. BOARD PATTERN LAYOUT
 (CONNECTOR MOUNTING SIDE)



REAL SIZE (SCALE 1:1)

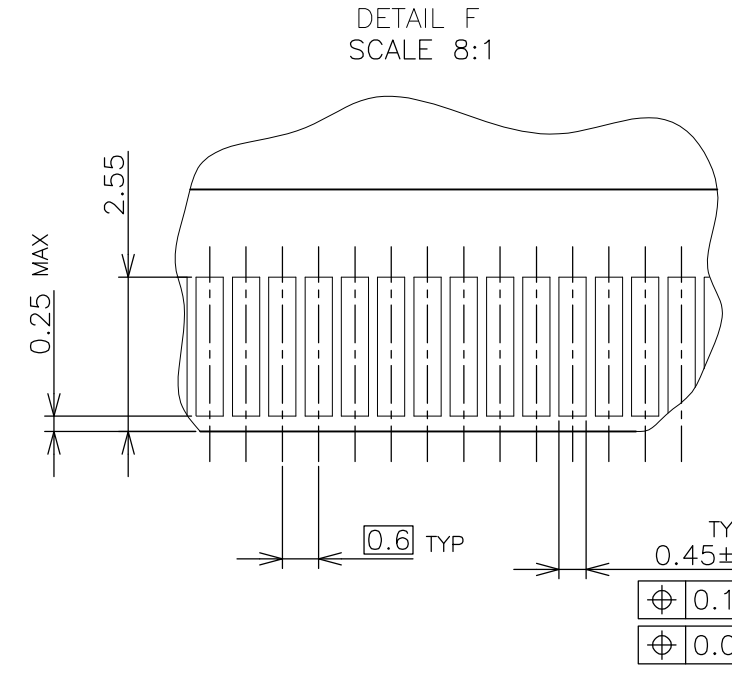
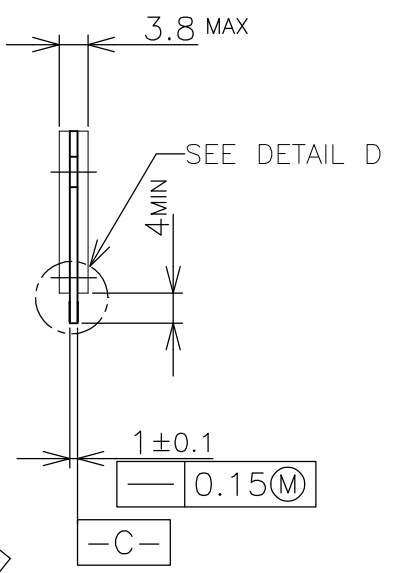
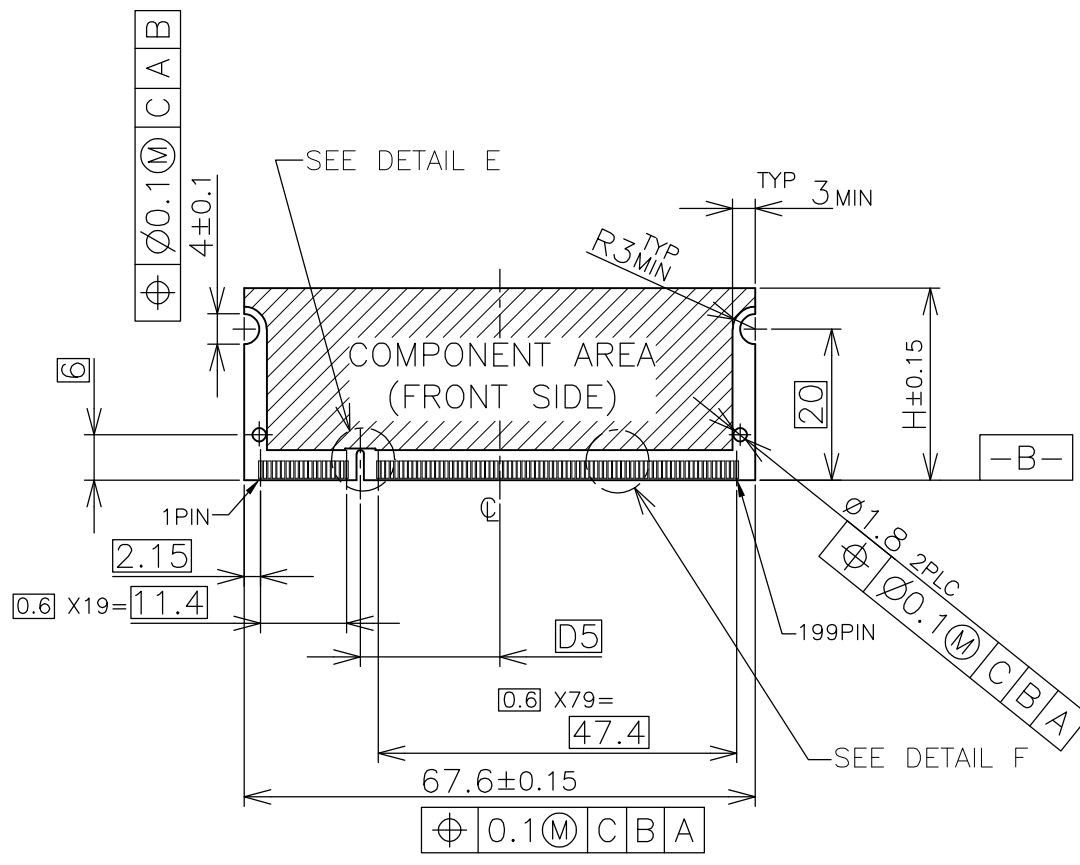


1.8V	17.55	2.4	2.7
2.5V	18.45	1.5	1.8
POWER SUPPLY	D5	D4	D3

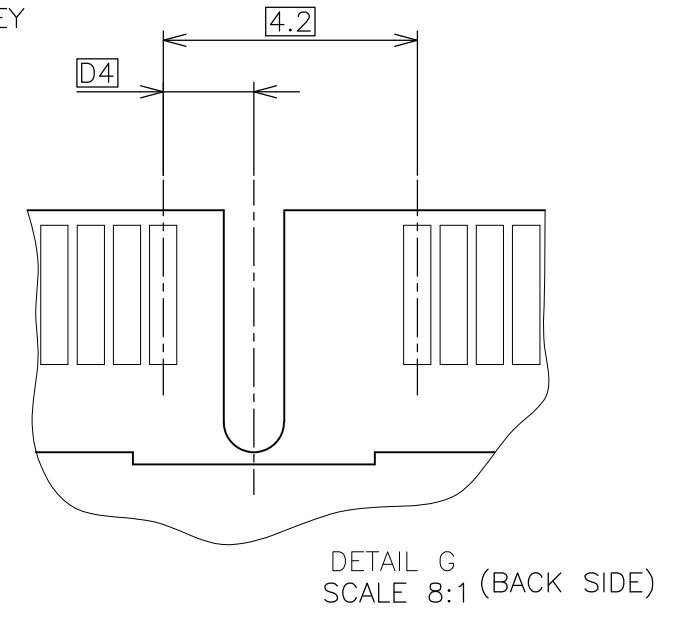
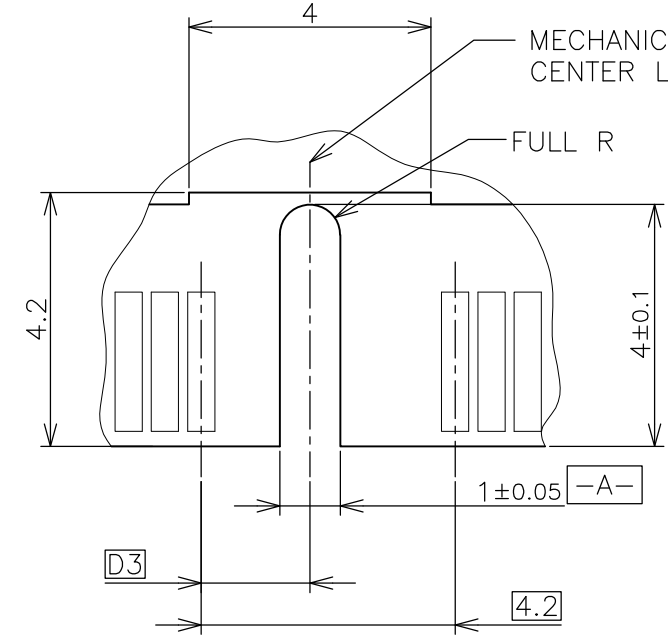
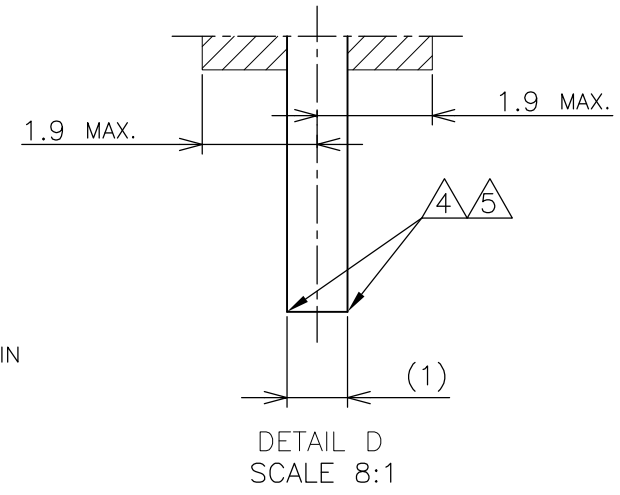
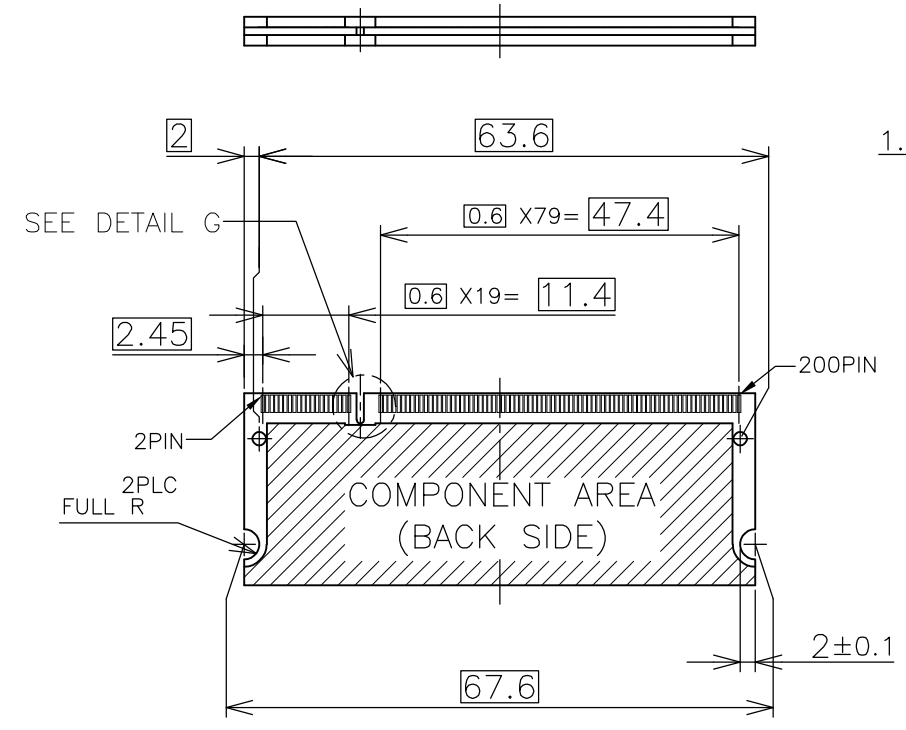
THIS DRAWING IS A CONTROLLED DOCUMENT.		DWN	TE Connectivity			
DIMENSIONS: MM		CHK			NAME	
		APVD				
TOLERANCES UNLESS OTHERWISE SPECIFIED: 0 PLC ± 1 PLC ± 2 PLC ± 3 PLC ± 4 PLC ± ANGLES ± MATERIAL FINISH		PRODUCT SPEC	DDR1 & DDR2 SODIMM SOCKET 0.6mm PITCH 200POS STANDARD PROFILE STANDARD TYPE			
MATERIAL		APPLICATION SPEC	SIZE	CAGE CODE	DRAWING NO	RESTRICTED TO
		WEIGHT	A3	00779	C-1717254	-
CUSTOMER DRAWING			SCALE	SHEET	REV	
			2:1	2 OF 4	D2	

THIS DRAWING IS UNPUBLISHED. RELEASED FOR PUBLICATION NOV ,2001.
 © COPYRIGHT 2001 By - ALL RIGHTS RESERVED.

LOC	DIST	REVISIONS			
P	LTR	DESCRIPTION	DATE	DWN	APVD
J		SEE SHEET 1	-	-	-



- (APPLIED TO SHEET 3)
1. TOLERANCES ON ALL DIMENSIONS ±0.15 UNLESS OTHERWISE SPECIFIED.
 2. P.C. BOARD THICKNESS APPLIES ACROSS TABS AND INCLUDES PLATING AND/OR METALIZATION.
 3. FINISH OF PAD : GOLD PLATING 0.00076 MIN. OVER Ni PLATING 0.002MIN.
- ▲ NO BURR
 ▲ CHAMFER 0.25 MAX x 45° IF EXIST.

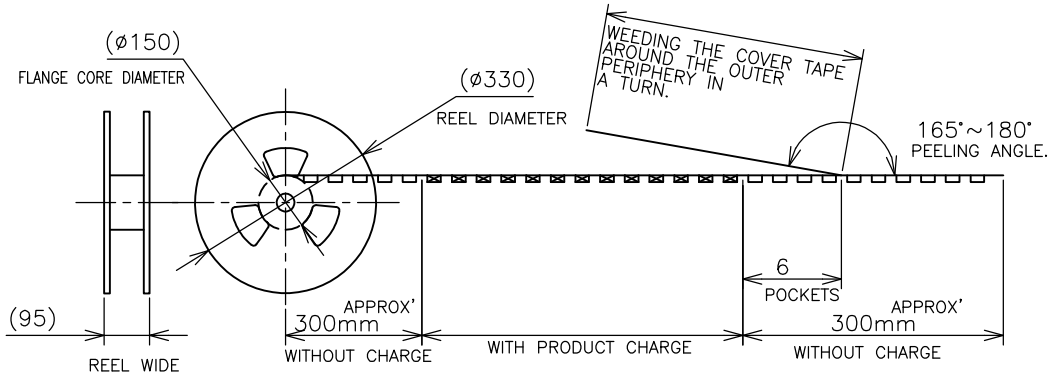
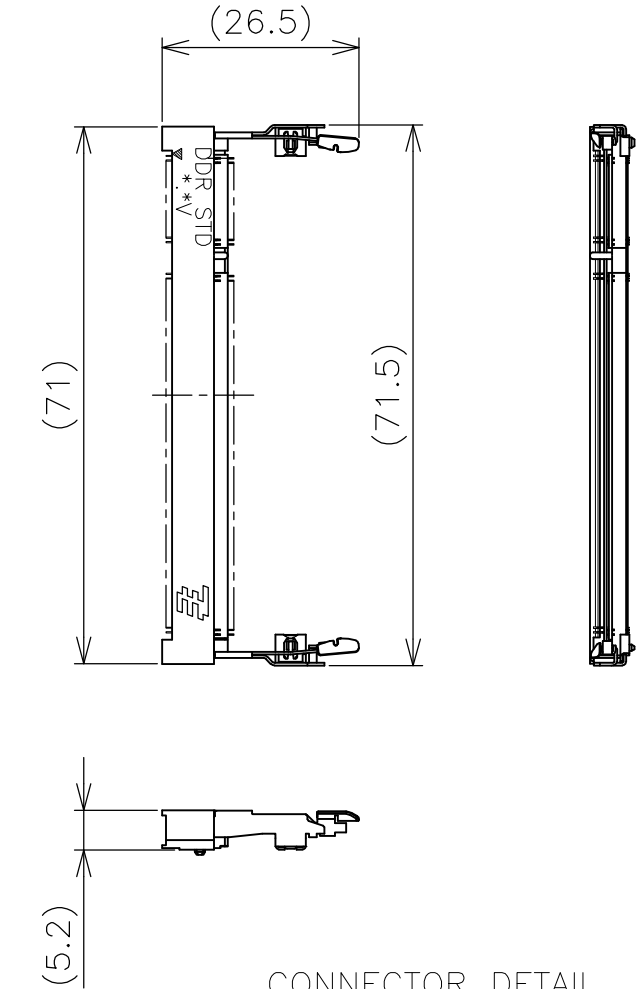
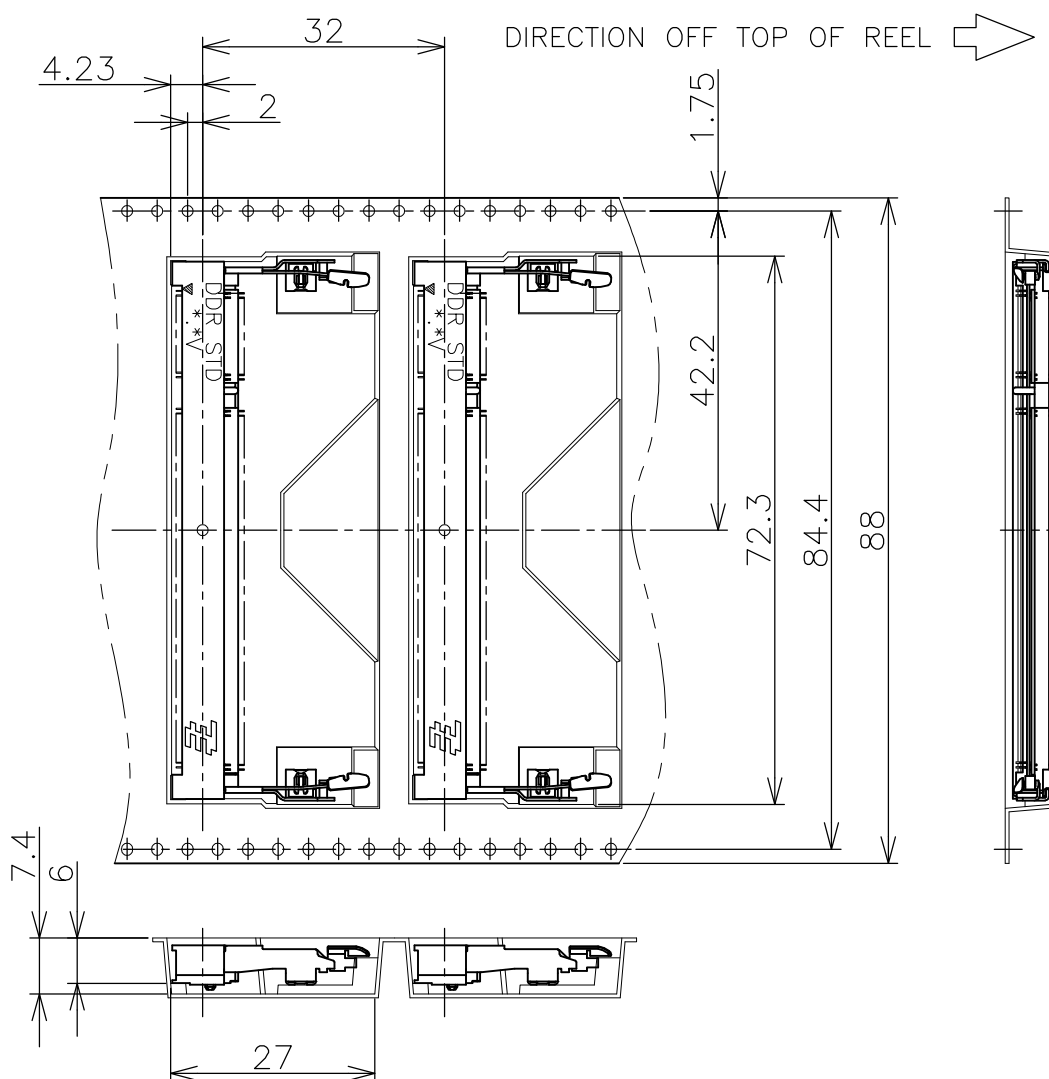


RECOMMENDED MATING P.C.B CONFIGURATION

31.75	1.8V	17.55	2.4	2.7
25.4	2.5V	18.45	1.5	1.8
H	POWER SUPPLY	D5	D4	D3

THIS DRAWING IS A CONTROLLED DOCUMENT.		DWN	TE Connectivity NAME DDR1 & DDR2 SODIMM SOCKET 0.6mm PITCH 200POS STANDARD PROFILE STANDARD TYPE				
DIMENSIONS: MM		CHK					
TOLERANCES UNLESS OTHERWISE SPECIFIED:		APVD					
0 PLC ± 1 PLC ± 2 PLC ± 3 PLC ± 4 PLC ± ANGLES ± FINISH ±		PRODUCT SPEC					
MATERIAL		APVD	APPLICATION SPEC	SIZE	CAGE CODE	DRAWING NO	RESTRICTED TO
		APVD	WEIGHT	A3	00779	C-1717254	-
CUSTOMER DRAWING			SCALE	2:1	SHEET	3 OF 4	REV D2

P	LTR	DESCRIPTION	DATE	DWN	APVD
-	-	SEE SHEET 1	-	-	-



1.8V (DDR2)	150EA/REEL	1717254-4
2.5V (DDR1)	150EA/REEL	1717254-1
POWER SUPPLY (TYPE)	QTY	P/N

THIS DRAWING IS A CONTROLLED DOCUMENT.		DWN	TE Connectivity NAME DDR1 & DDR2 SODIMM SOCKET 0.6mm PITCH 200POS STANDARD PROFILE STANDARD TYPE			
DIMENSIONS: MM		CHK				
TOLERANCES UNLESS OTHERWISE SPECIFIED:		APVD				
0 PLC ± 1 PLC ± 2 PLC ± 3 PLC ± 4 PLC ± ANGLES ± FINISH ±		PRODUCT SPEC				
MATERIAL		APPLICATION SPEC	SIZE	CAGE CODE	DRAWING NO	RESTRICTED TO
		WEIGHT	A3 00779 C-1717254			
CUSTOMER DRAWING			SCALE	SHEET	REV	
			1:1	4 OF 4	D2	

X-ON Electronics

Largest Supplier of Electrical and Electronic Components

Click to view similar products for [DIMM Connectors](#) category:

Click to view products by [TE Connectivity](#) manufacturer:

Other Similar products are found below :

[1-1932649-2](#) [1-1761024-0](#) [2309411-5](#) [10116658-252ASLF](#) [5390471-1](#) [2309413-3](#) [78507-0061](#) [KIT-SODIMM-1X16GB/01](#) [10129206-0010013LF](#) [10086891-052TSLF](#) [10079192-11102LF](#) [10116658-152FSLF](#) [10129206-0011113LF](#) [1-2308107-0](#) [2013310-1](#) [2013289-1](#) [390111-1](#) [390112-1](#) [2309413-1](#) [2309407-1](#) [2309414-1](#) [10081530-12208LF](#) [151080-0001](#) [78726-1004](#) [10005639-11107LF](#) [10005639-11109LF](#) [10005639-12207LF](#) [10023061-10207LF](#) [10033853-252FSLF](#) [10033853-052ASLF](#) [10033853-052FSLF](#) [10033853-152FSLF](#) [10033854-052FSLF](#) [10034542-10002LF](#) [10037402-12207LF](#) [10081530-11107LF](#) [10081530-12207LF](#) [10081530-12218LF](#) [10081530-12228LF](#) [10124632-0030001LF](#) [10124806-01006LF](#) [10145226-0241N13LF](#) [59354-052FSLF](#) [59355-052FSLF](#) [DDR4288S0211TF](#) [DDR4288S0511H](#) [DDR4288S0511TF](#) [DDR4288V0123TF](#) [DDR4288V0213TF](#) [DDR502112001K](#)