

THIS DRAWING IS UNPUBLISHED.

RELEASED FOR PUBLICATION

ALL RIGHTS RESERVED.

© COPYRIGHT - Tyco Electronics Japan G.K.

REVISIONS

変更

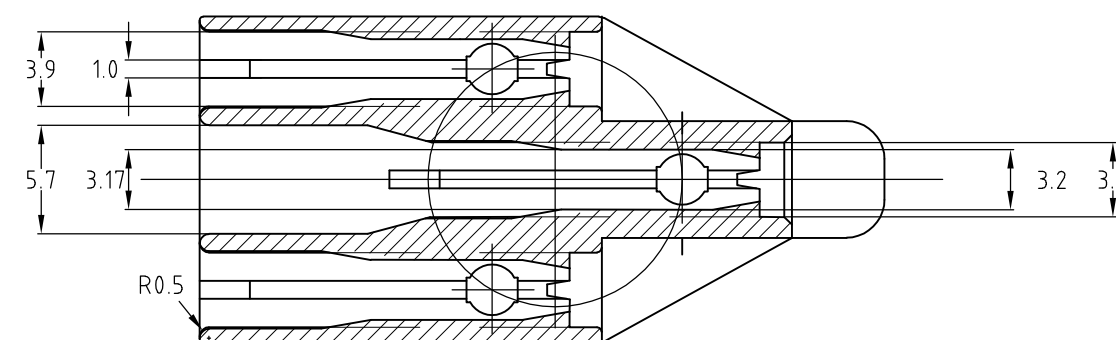
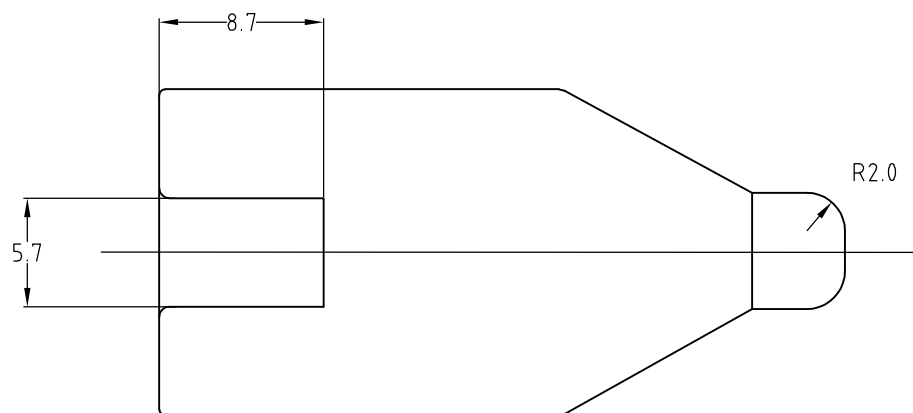
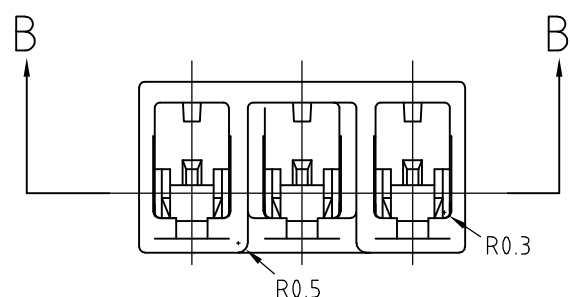
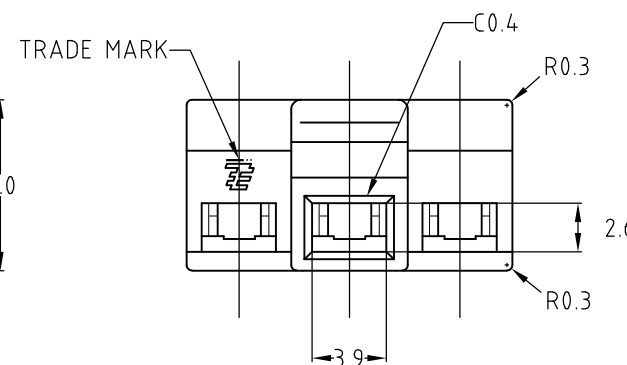
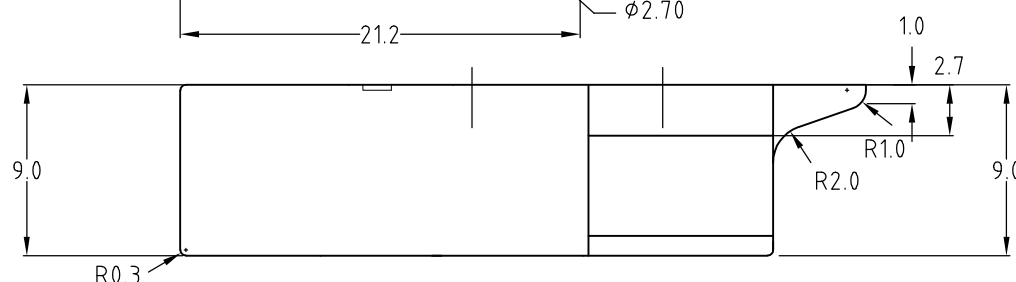
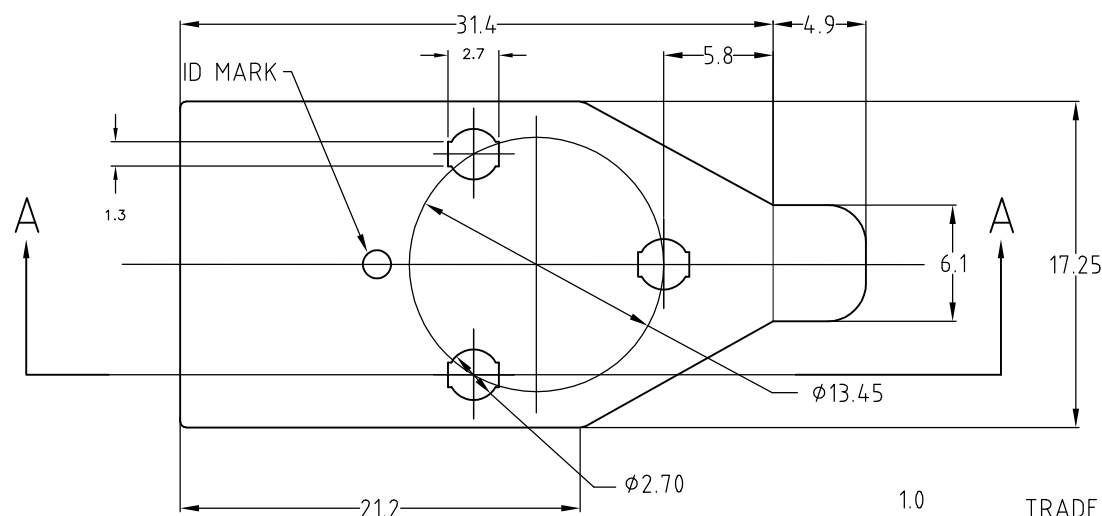
P	LTR	DESCRIPTION	DATE	DWN	APVD
	D3	REVISED AS PER ECR-17-012221	22AUG2017	MKD	PKS

注記:

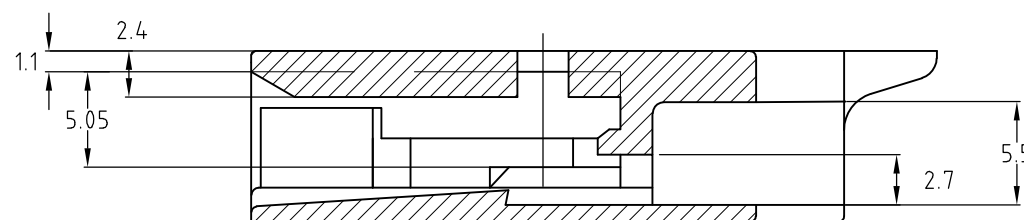
- 1. 適用端子型番: 170063-2
1123655-1
353937-1
- △ 適用製品規格: 108-5205
(型番 170063-2)
108-5574-1
(型番 1123655-1, 353937-1)

NOTES;

- 1. APPLICABLE RECEPTACLE P/N:
170063-2
1123655-1
353937-1
- △ APPLICABLE PRODUCT SPEC :
108-5205
(FOR PART No. 170063-2)
108-5574-1
(FOR Part No. 1123655-1
AND 353937-1)



断面 B-B

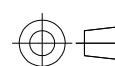


断面 A-A

PBT (UL94-V0)	(NATURAL)	1717289-2
PBT (UL94-HB)	自然色 (NATURAL)	1717289-1
MATERIAL	色調 (COLOR)	型番 (P/N)

THIS DRAWING IS A CONTROLLED DOCUMENT.

DIMENSIONS:
単位: 耗
mm



TOLERANCES UNLESS
OTHERWISE SPECIFIED:
一般公差

0 PLC	±0.3
1 PLC	±-
2 PLC	±-
3 PLC	±-
4 PLC	±-
ANGLES	±3deg

MATERIAL
材料
SEE TABLE

FINISH
仕上

DWN J.SATO 31AUG2006

CHK M.SUZUKI 31AUG2006

APVD N.YAMASAKI 31AUG2006

PRODUCT SPEC

製品規格

SEE NOTE 2

APPLICATION SPEC

取付適用規格

WEIGHT 0

CUSTOMER DRAWING

NAME
名称
2.3 DIA CLUSTER BLOCK REVERSE HOUSING

2.3Φ クラスタブロック リバースハウジング

SIZE A3 CAGE CODE 00779 DRAWING NO. 1717289 RESTRICTED TO

SCALE 尺度 NON SHEET 1 OF 1 REV D3



X-ON Electronics

Largest Supplier of Electrical and Electronic Components

Click to view similar products for [Headers & Wire Housings](#) category:

Click to view products by [TE Connectivity](#) manufacturer:

Other Similar products are found below :

[892-18-020-10-001101](#) [58102-G61-06LF](#) [582553-1](#) [0009485154](#) [009176003701906](#) [0050291907](#) [LY20-4P-DT1-P1E-BR](#) [02.125.8002.8](#)
[609-3404](#) [61062-3](#) [61082-181009](#) [622-3653LF](#) [63453-116](#) [636-1030](#) [636-1427](#) [636-3427](#) [636-4007](#) [641938-9](#) [641991-4](#) [644827-2](#) [65817-010LF](#) [65817-015LF](#) [65863-015LF](#) [66207-023LF](#) [67095-007LF](#) [67601157](#) [68645-018](#) [68648-049](#) [70.362.1628.0](#) [70-4210](#) [70-4226B](#) [70-4853B](#) [707-5020](#) [707-5028](#) [71.350.2428.0](#) [71918-208LF](#) [71961-016LF](#) [733-134](#) [733-162](#) [754199-000](#) [760-3052](#) [787-8014-00](#) [79531-3000](#)
[FCN-360C032-B](#) [FCN-367T-T012/H](#) [FCN-723D010/2](#) [80.063.4001.1](#) [800-90-001-10-001000](#) [800-90-010-10-002000](#) [801-43-002-10-013000](#)