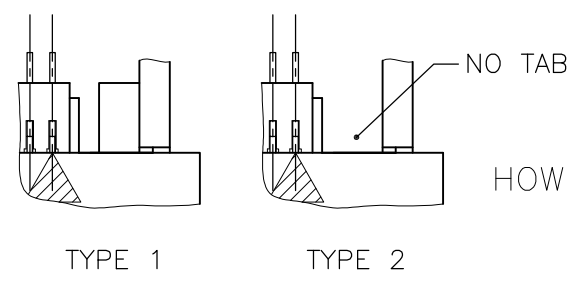
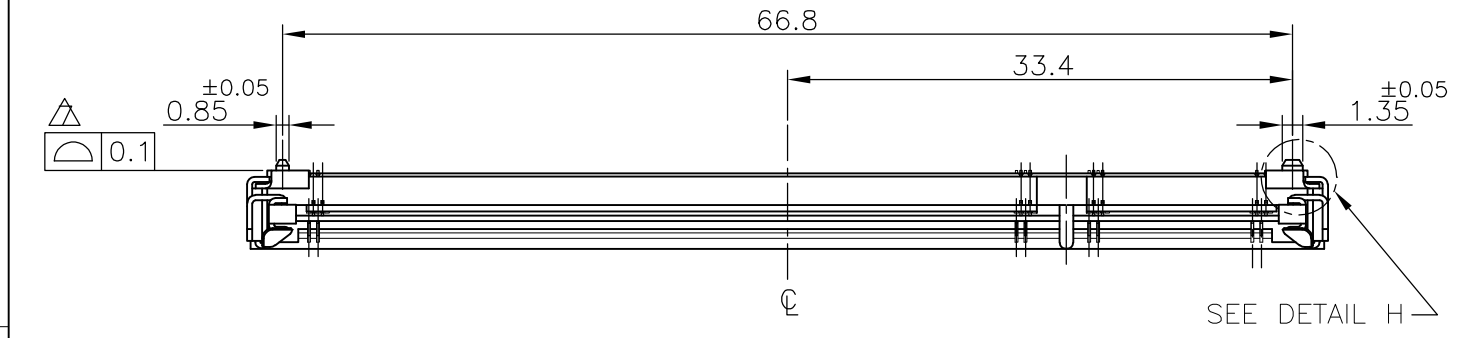
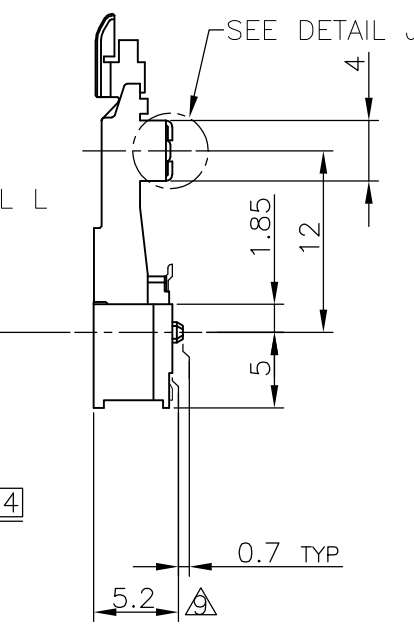
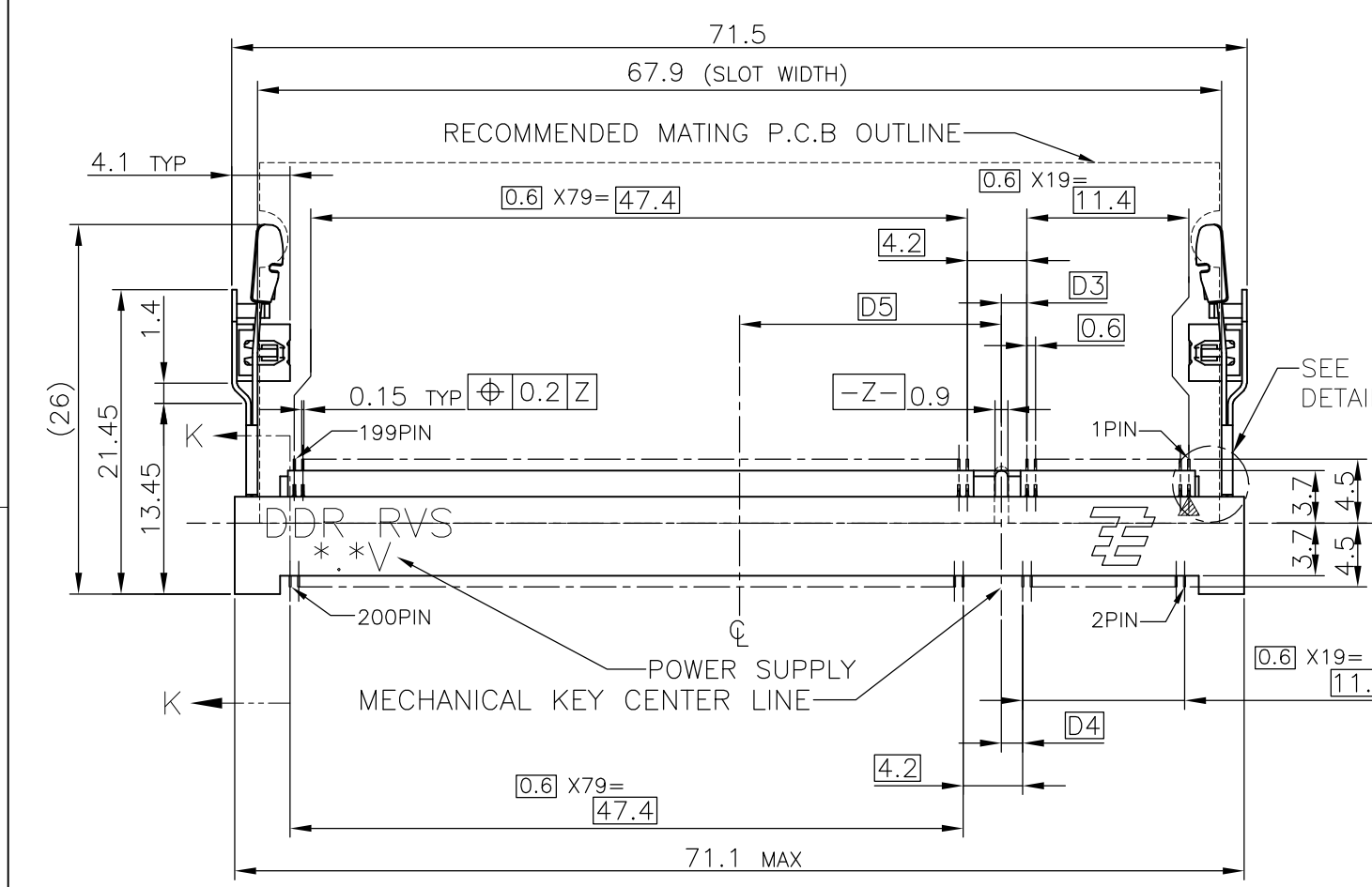
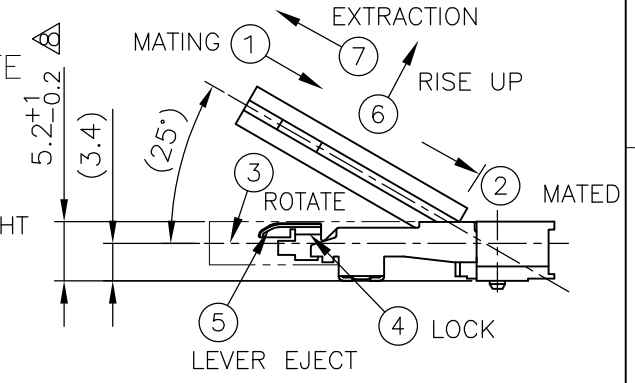


THIS DRAWING IS UNPUBLISHED. RELEASED FOR PUBLICATION NOV ,2001.  
 © COPYRIGHT 2001 BY TYCO ELECTRONICS CORPORATION. ALL RIGHTS RESERVED.

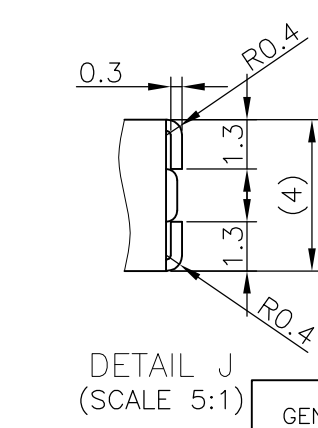
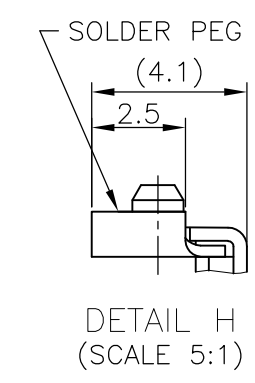
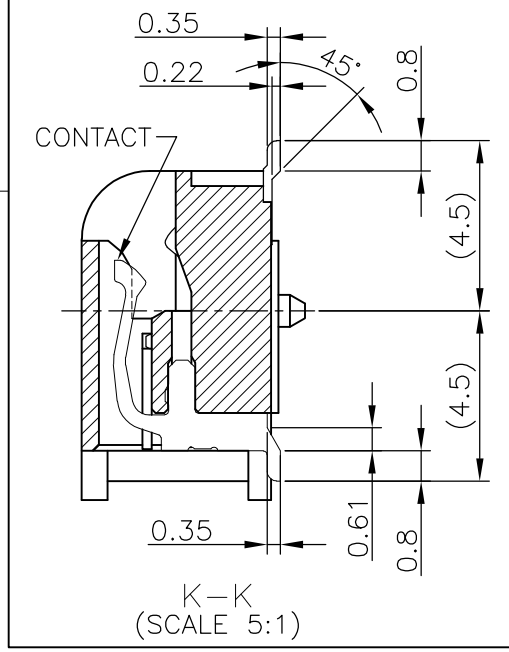
LOC	DIST	REVISIONS			
P	LTR	DESCRIPTION	DATE	DWN	APVD
J		D1	ECR-10-014776	20JUL10	B.W S.Y



HOW TO MATE AND UNMATE  
 MATE: ① → ④  
 UNMATE: ⑤ → ⑦



- (APPLIED TO SHEET 1-2)
- MATERIAL ; HOUSING: HIGH TEMPERATURE THERMO PLASTIC UL94V-0  
 CONTACT: COPPER ARROY  
 LOCK LEVER: STAINLESS STEEL  
 SOLDER PEG: COPPER ARROY
  - FINISH ; CONTACT AREA: GOLD FLASH ON 0.0013MIN ALL OVER NICKEL.  
 SOLDERING AREA: GOLD FLASH PLT.  
 SOLDER PEG: TIN PLATING.
- ⊕ MECHANICAL KEY POSITION OF CONNECTOR SEE TABLE.
  - ⊕ TOLERANCES NON-CUMULATIVE.
  - ⊕ NOT TO SCALE.
  - ⊕ [ ] INSIDE MUST BE RESIST COAT EXCEPT SOLDER PATTERN.
  - ⊕ COPLANARITY : 0.1 MAX.
  - ⊕ THE FLOATING VALUE BY SOLDERING IS NOT INCLUDED.
  - ⊕ NOT MATING CONDITION.
- 10 IF THE MODULE DOESN'T INSERT AND LOCK IN THE LATCH SMOOTHLY, OPEN WIDE BOTH LATCHES BY MANUAL. AND THE MODULE MUST BE INSERTED AND LOCKED IN THE LATCH.



GENERAL TOLERANCE  
 10 ≥ : ±0.2  
 30 ≥ > 10 : ±0.25  
 100 ≥ > 30 : ±0.3  
 ANGLES : ±3°

TYPE	TOOLING STATUS	REMARK	POWER SUPPLY (TYPE)	D5	D4	D3	POS	PART NO.
TYPE 2	AVAILABLE	—H—	1.8V (DDR2)	17.55	2.4	2.7	200	1717379-4
TYPE 1	AVAILABLE	—H—	2.5V (DDR1)	18.45	1.5	1.8	200	1717379-1

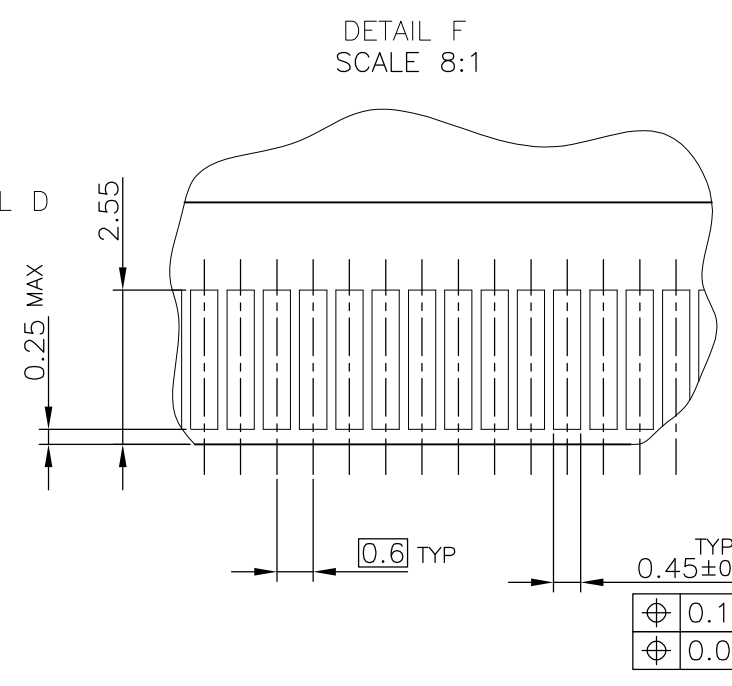
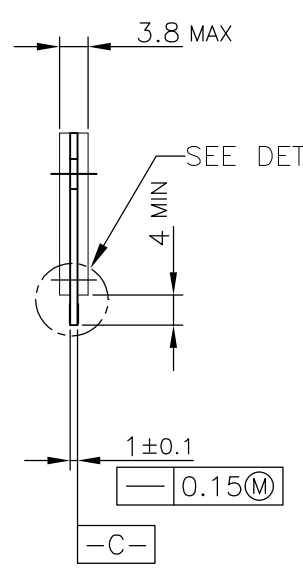
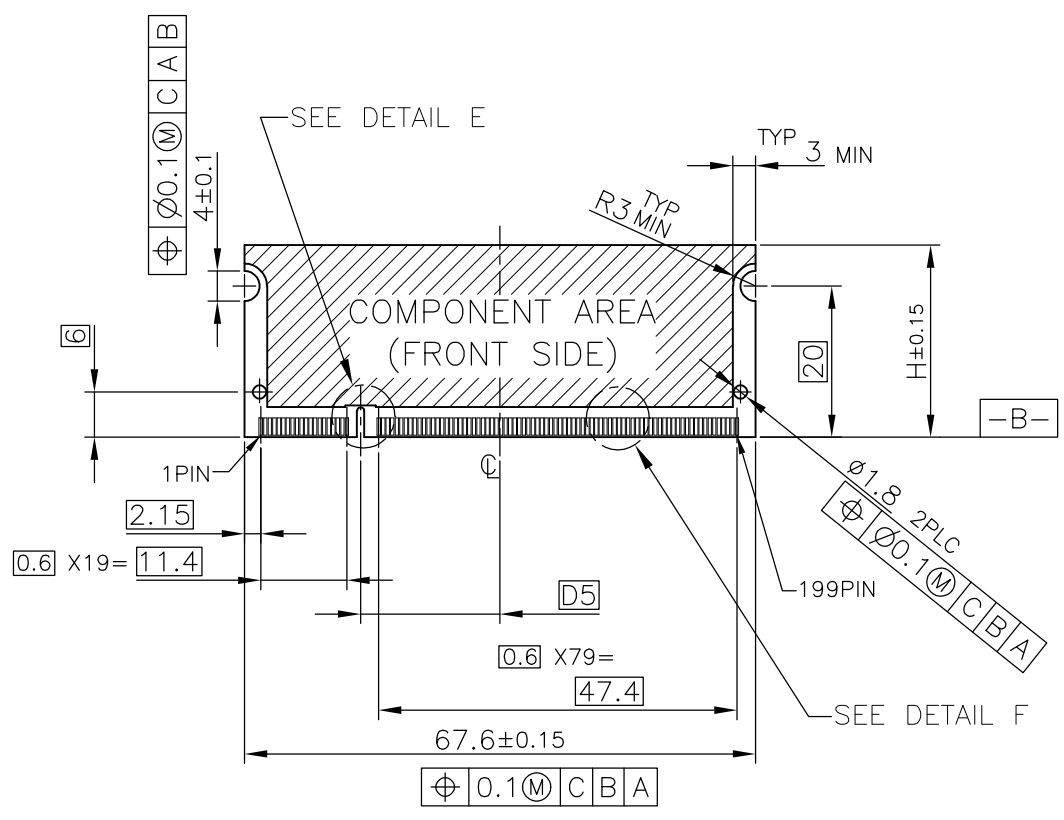
  

THIS DRAWING IS A CONTROLLED DOCUMENT.		DWN	20JUL10	 Tyco Electronics AMP K.K. Kawasaki, Japan			
DIMENSIONS: MM		CHK	20JUL10				
TOLERANCES UNLESS OTHERWISE SPECIFIED:		APVD	20JUL10				
0 PLC ± 1 PLC ± 2 PLC ± 3 PLC ± 4 PLC ± ANGLES ± FINISH ±		NAME	S.YAO				
MATERIAL		PRODUCT SPEC	108-5701	DDR1 & DDR2 SODIMM SOCKET 0.6mm PITCH 200POS STANDARD PROFILE REVERSE TYPE			
		APPLICATION SPEC		SIZE	CAGE CODE	DRAWING NO	RESTRICTED TO
		WEIGHT	4.7g	A3	00779	C-1717379	
		CUSTOMER DRAWING		SCALE	2:1	SHEET	1 OF 4
							REV D1

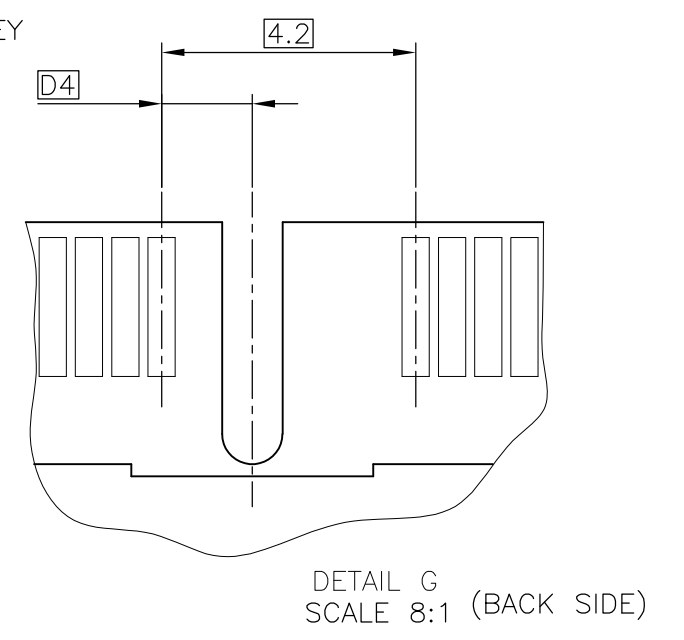
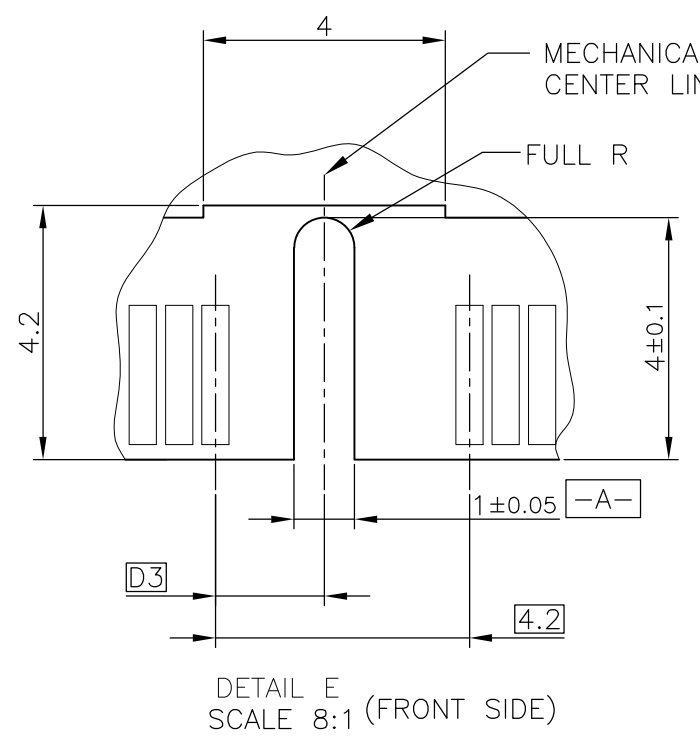
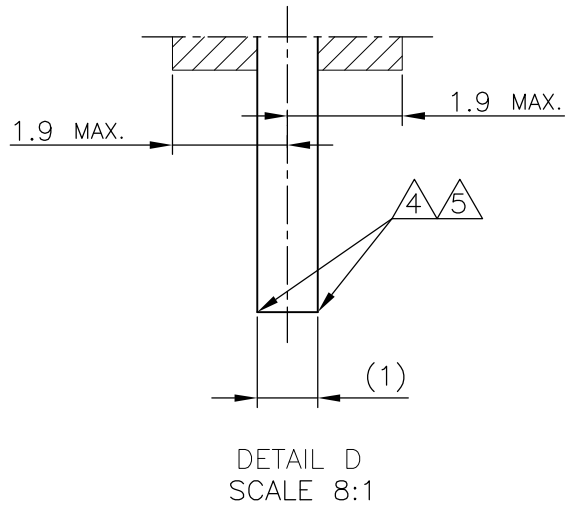
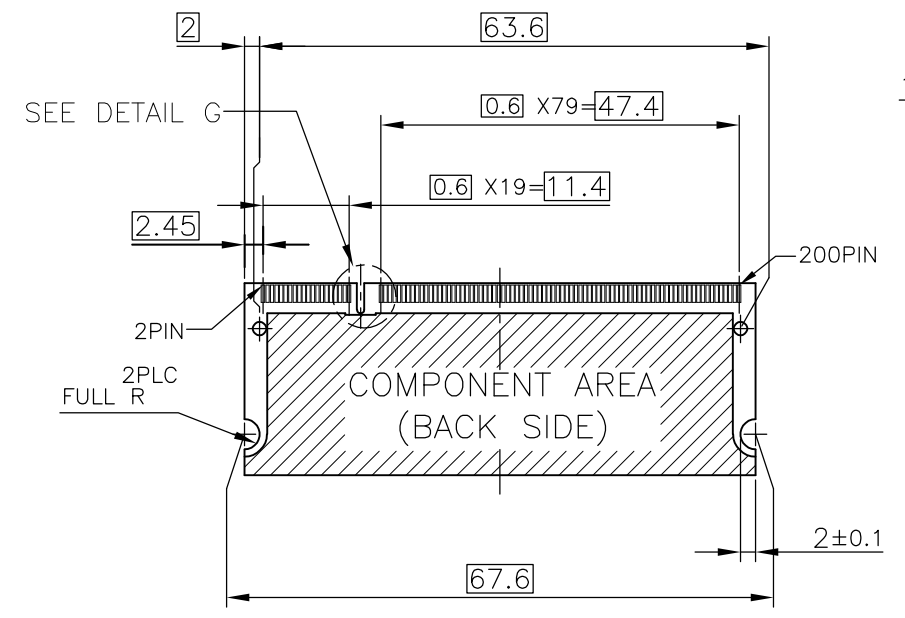


THIS DRAWING IS UNPUBLISHED. RELEASED FOR PUBLICATION NOV. 2001.  
 © COPYRIGHT 2001 BY TYCO ELECTRONICS CORPORATION. ALL RIGHTS RESERVED.

LOC	DIST	REVISIONS			
P	LTR	DESCRIPTION	DATE	DWN	APVD
J		SEE SHEET 1	-	-	-



- (APPLIED TO SHEET 3)
1. TOLERANCES ON ALL DIMENSIONS ±0.15 UNLESS OTHERWISE SPECIFIED.
  2. P.C. BOARD THICKNESS APPLIES ACROSS TABS AND INCLUDES PLATING AND/OR METALIZATION.
  3. FINISH OF PAD : GOLD PLATING 0.00076 MIN. OVER Ni PLATING 0.002MIN.
- NO BURR
- CHAMFER 0.25 MAX x 45° IF EXIST.

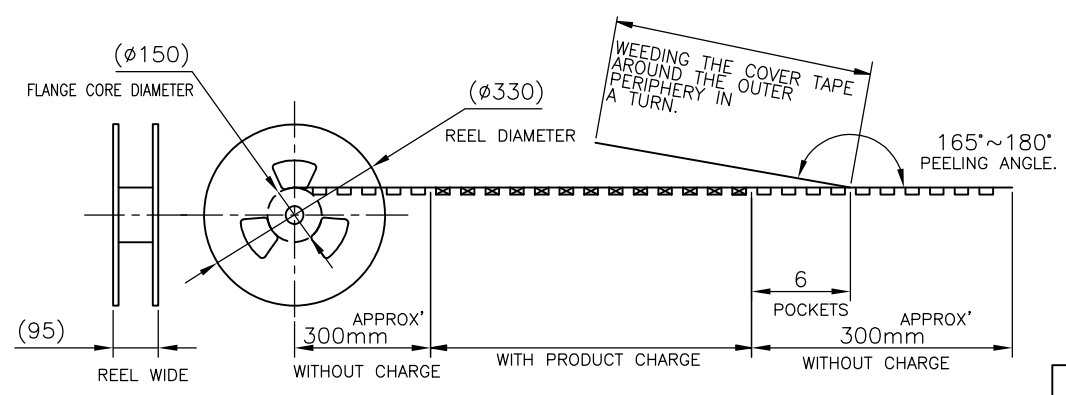
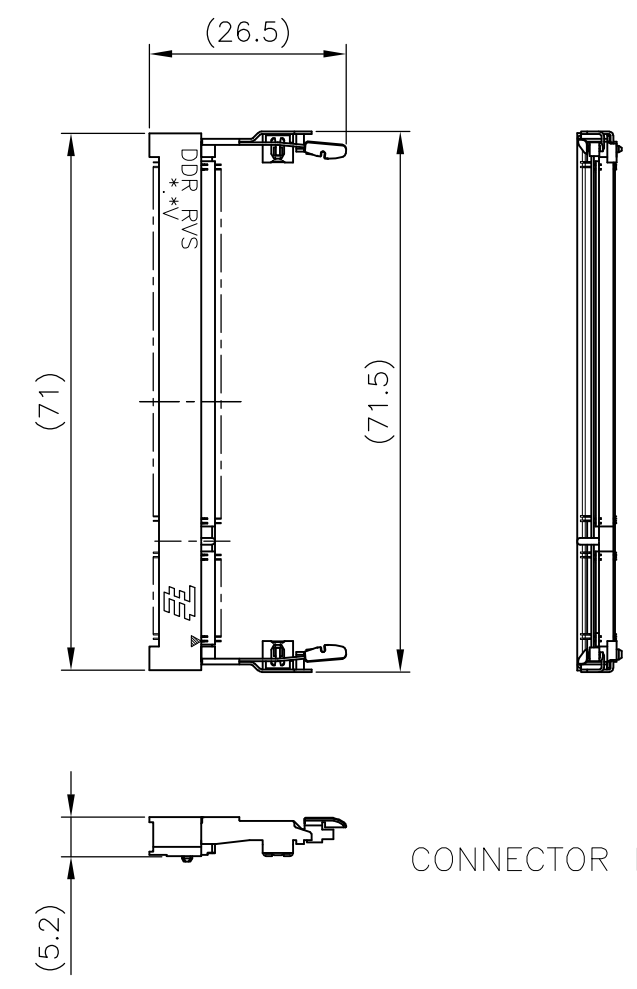
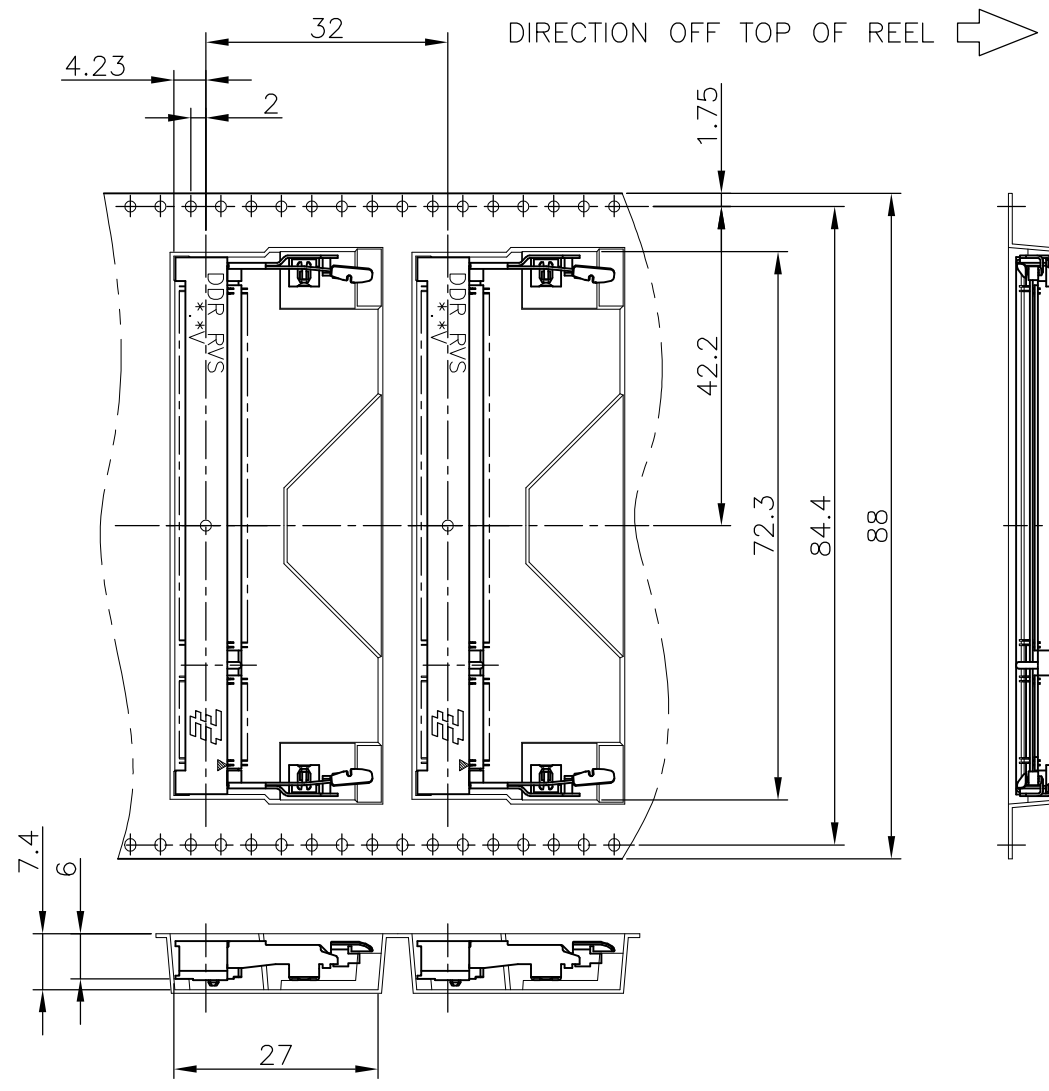


RECOMMENDED MATING P.C.B CONFIGURATION

THIS DRAWING IS A CONTROLLED DOCUMENT.		DWN	Tyco Electronics AMP K.K. Kawasaki, Japan			
DIMENSIONS: MM		CHK	NAME			
TOLERANCES UNLESS OTHERWISE SPECIFIED:		APVD	DDR1 & DDR2 SODIMM SOCKET			
0 PLC ±		PRODUCT SPEC	0.6mm PITCH 200POS			
1 PLC ±		APPLICATION SPEC	STANDARD PROFILE REVERSE TYPE			
2 PLC ±		SIZE	CAGE CODE	DRAWING NO	RESTRICTED TO	
3 PLC ±		A3	00779	C-1717379	-	
4 PLC ±		CUSTOMER DRAWING		SCALE	SHEET	REV
ANGLES ±				2:1	3 OF 4	D1
FINISH						

THIS DRAWING IS UNPUBLISHED. RELEASED FOR PUBLICATION NOV ,2001.  
 © COPYRIGHT 2001 BY TYCO ELECTRONICS CORPORATION. ALL RIGHTS RESERVED.

LOC	DIST	REVISIONS					
		P	LTR	DESCRIPTION	DATE	DWN	APVD
J		-	-	SEE SHEET 1	-	-	-



1.8V (DDR2)	150EA/REEL	1717379-4
2.5V (DDR1)	150EA/REEL	1717379-1
POWER SUPPLY (TYPE)	QTY	P/N

THIS DRAWING IS A CONTROLLED DOCUMENT.		DWN	Tyco Electronics AMP K.K. Kawasaki, Japan		
DIMENSIONS: MM		CHK			
TOLERANCES UNLESS OTHERWISE SPECIFIED:		APVD	DDR1 & DDR2 SODIMM SOCKET 0.6mm PITCH 200POS STANDARD PROFILE REVERSE TYPE		
0 PLC ± 1 PLC ± 2 PLC ± 3 PLC ± 4 PLC ± ANGLES ± FINISH ±		PRODUCT SPEC	SIZE	CAGE CODE	DRAWING NO
MATERIAL		APPLICATION SPEC	A3	00779	C-1717379
		WEIGHT	RESTRICTED TO		
CUSTOMER DRAWING			SCALE	SHEET	REV
			1:1	4 OF 4	D1

## X-ON Electronics

Largest Supplier of Electrical and Electronic Components

*Click to view similar products for [IC & Component Sockets](#) category:*

*Click to view products by [TE Connectivity](#) manufacturer:*

Other Similar products are found below :

[714-43-102-31-012000](#) [0066-3-17-15-30-14-02-0](#) [0134-0-15-15-32-27-04-0](#) [614-DG5](#) [6527-0-00-15-00-00-03-0](#) [670](#) [672](#) [673](#) [712-93-120-41-001000](#) [714-93-104-31-018000](#) [8059-4G1-LF](#) [807-22-001-10-001101](#) [807-22-001-10-003101](#) [807-22-001-10-004101](#) [807-22-001-10-006101](#) [807-22-001-30-011101](#) [807-22-001-30-012101](#) [807-22-001-30-013101](#) [807-22-001-30-014101](#) [8-1437531-4](#) [8150-6P10](#) [833-93-034-10-001000](#) [835-43-014-10-001000](#) [851-41-006-10-001000](#) [851-43-008-20-001000](#) [851-43-014-20-001000](#) [851-93-006-20-001000](#) [851-93-010-20-001000](#) [853-43-020-10-001000](#) [86.010.0053.0](#) [116-43-306-41-003000](#) [116-43-308-41-007000](#) [PX-68LCC](#) [PX-84LCC](#) [121-13-318-41-001000](#) [121-13-320-41-001000](#) [121-13-308-41-001000](#) [123-43-314-41-801000](#) [123-43-420-41-001000](#) [123-43-636-41-001000](#) [123-87-320-41-001101](#) [122-13-316-41-001000](#) [123-13-624-41-001000](#) [123-43-306-41-001000](#) [123-43-322-41-801000](#) [123-43-428-41-001000](#) [123-43-624-41-001000](#) [12-3513-11](#) [123-91-320-41-001000](#) [126-43-310-41-002000](#)