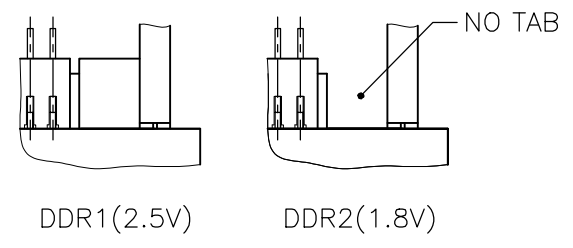
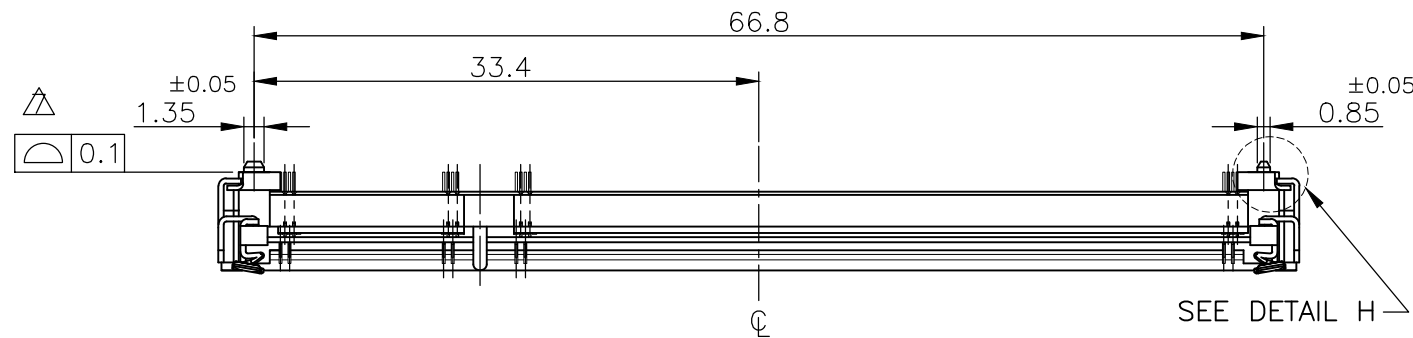
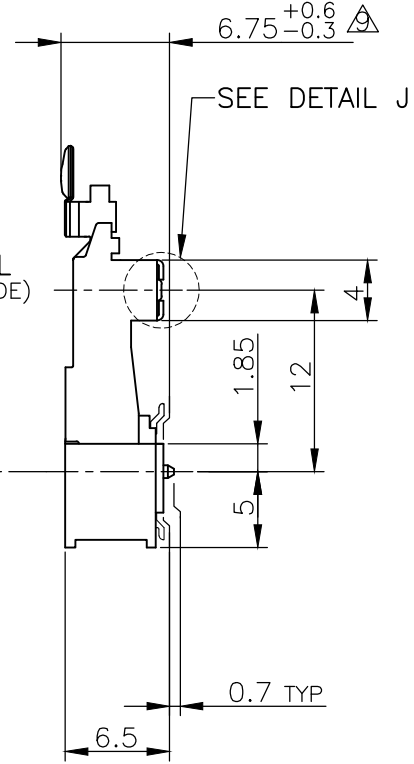
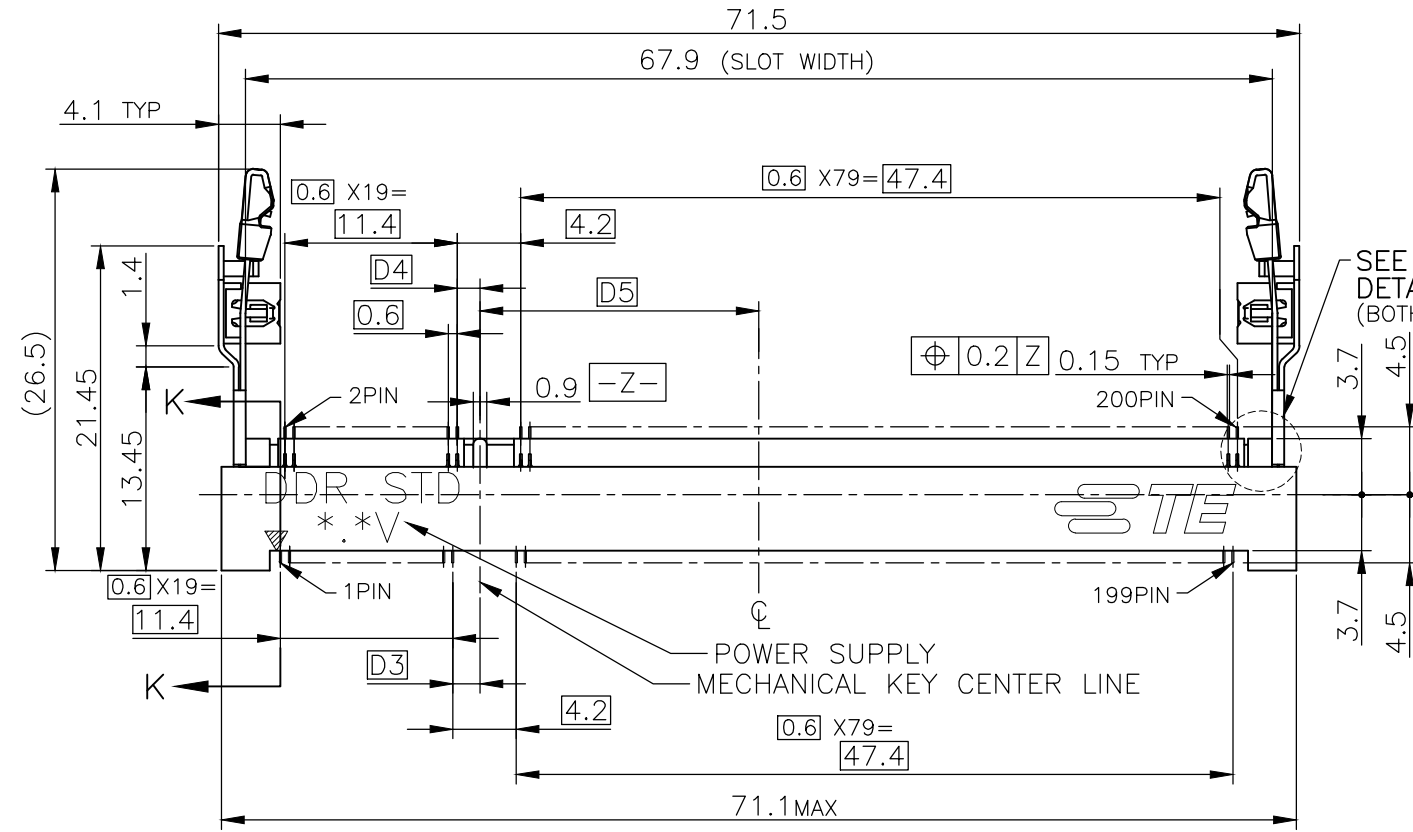
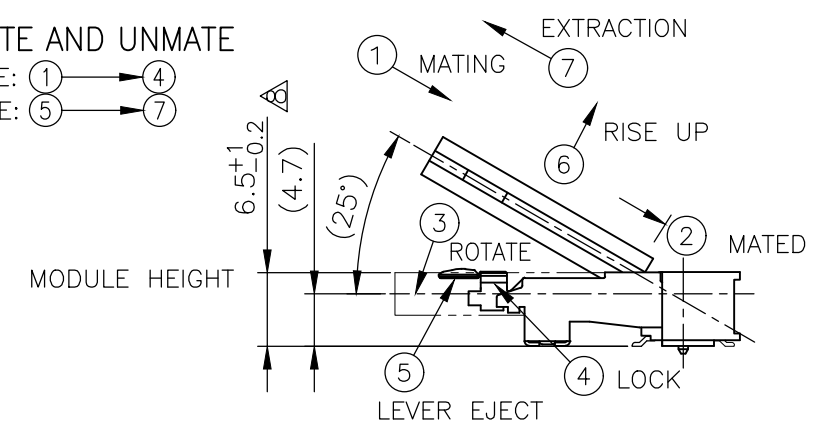
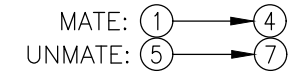


P	LTR	DESCRIPTION	DATE	DWN	APVD
E		ECR-20-007088	19MAY20	D.Z	S.L



DETAIL L (SCALE 5:1)

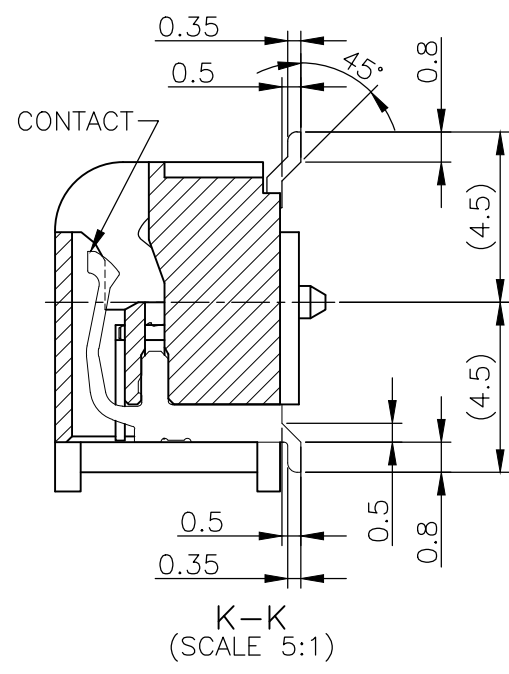
HOW TO MATE AND UNMATE



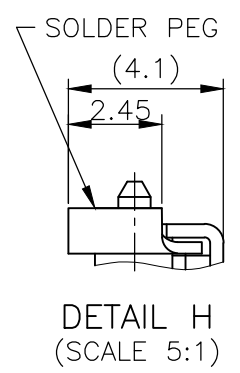
SEE DETAIL J

(APPLIED TO SHEET 1-2)

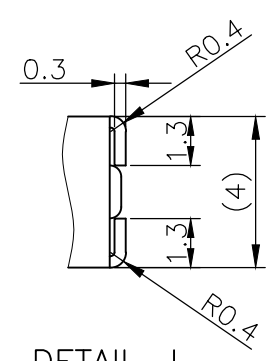
- MATERIAL ; HOUSING: HIGH TEMPERATURE THERMO PLASTIC UL94V-0  
CONTACT: COPPER ARROY  
LOCK LEVER: STAINLESS STEEL  
SOLDER PEG: COPPER ARROY
  - FINISH ; CONTACT AREA: GOLD FLASH ON 0.0013MIN ALL OVER NICKEL.  
SOLDERING AREA: GOLD FLASH PLT.  
SOLDER PEG: TIN PLATING.
- ⚠ MECHANICAL KEY POSITION OF CONNECTOR SEE TABLE.
  - ⚠ TOLERANCES NON-CUMULATIVE.
  - ⚠ NOT TO SCALE.
  - ⚠ [Dotted Box] INSIDE MUST BE RESIST COAT EXCEPT SOLDER PATTERN.
  - ⚠ COPLANARITY : 0.1 MAX.
  - ⚠ THE FLOATING VALUE BY SOLDERING IS NOT INCLUDED.
  - ⚠ NOT MATING CONDITION.
- 10 IF THE MODULE DOESN'T INSERT AND LOCK IN THE LATCH SMOOTHLY, OPEN WIDE BOTH LATCHES BY MANUAL. AND THE MODULE MUST BE INSERTED AND LOCKED IN THE LATCH.



K-K (SCALE 5:1)



DETAIL H (SCALE 5:1)



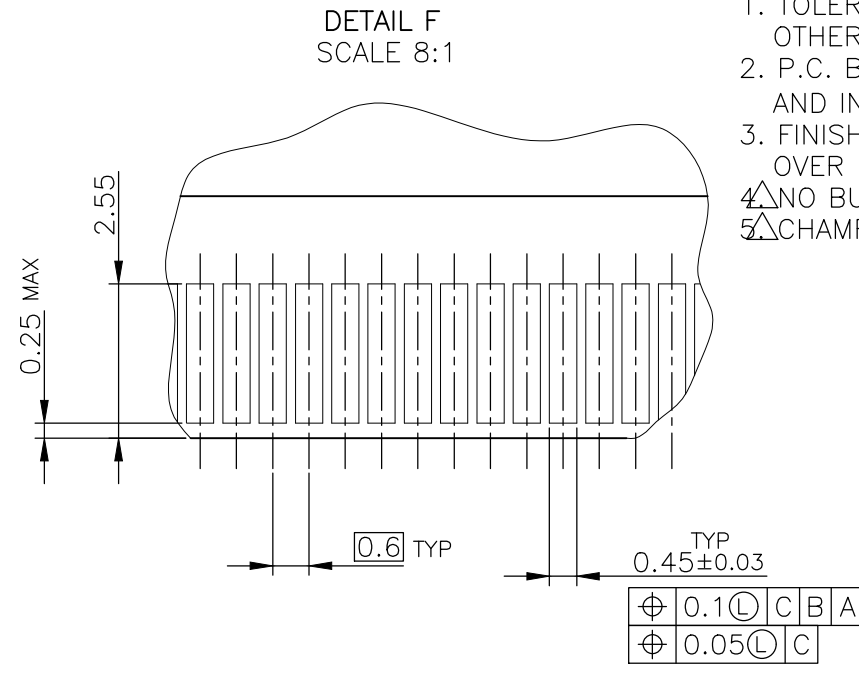
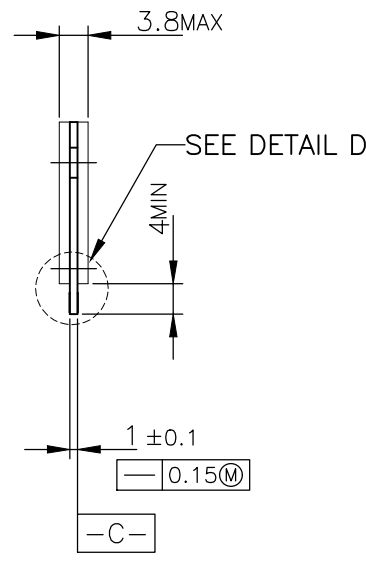
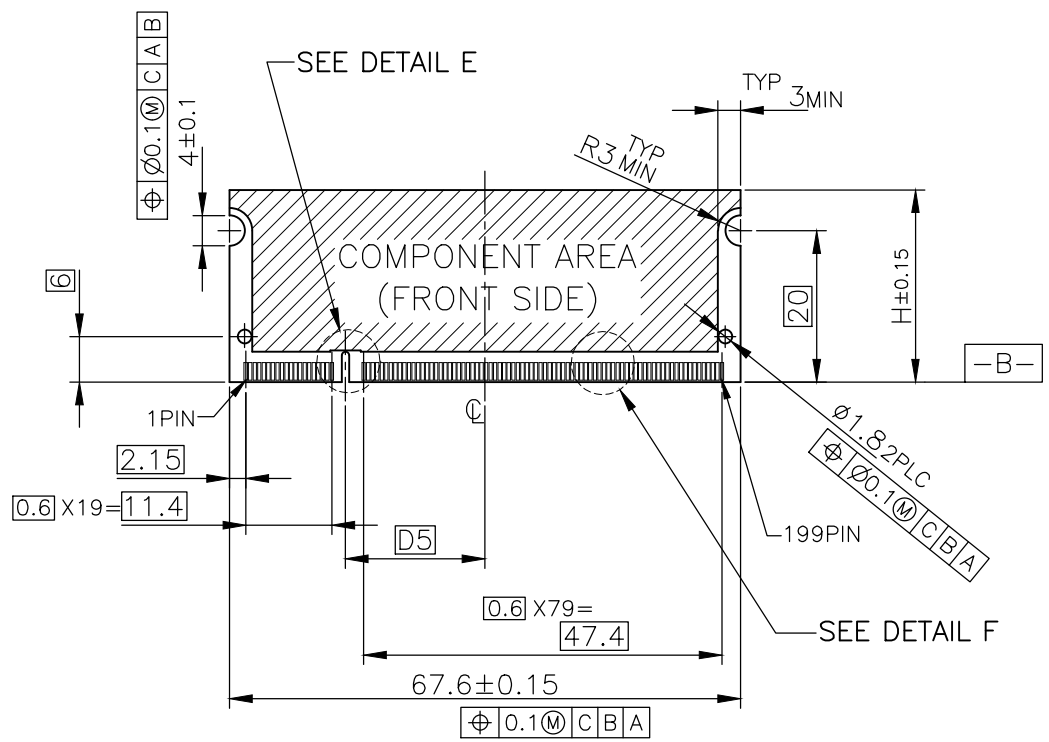
DETAIL J (SCALE 5:1)

GENERAL TOLERANCE  
 10 ≥ : ±0.2  
 30 ≥ > 10: ±0.25  
 100 ≥ > 30: ±0.3  
 ANGLES: ±3°

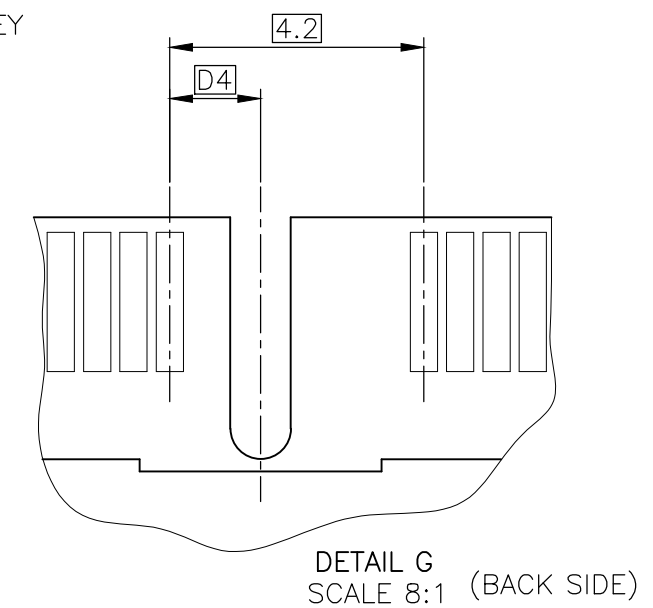
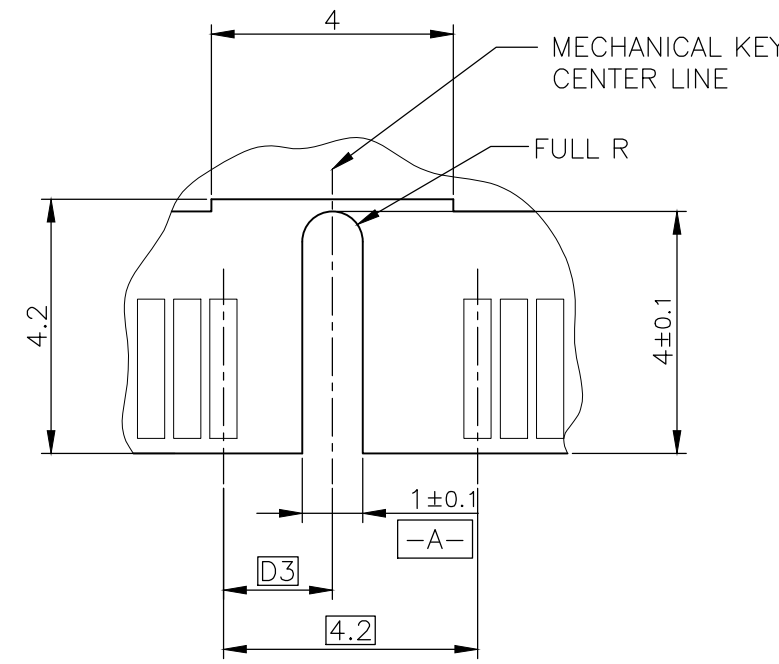
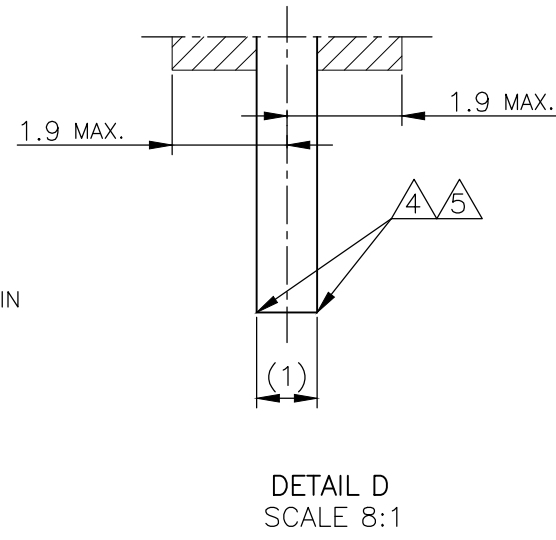
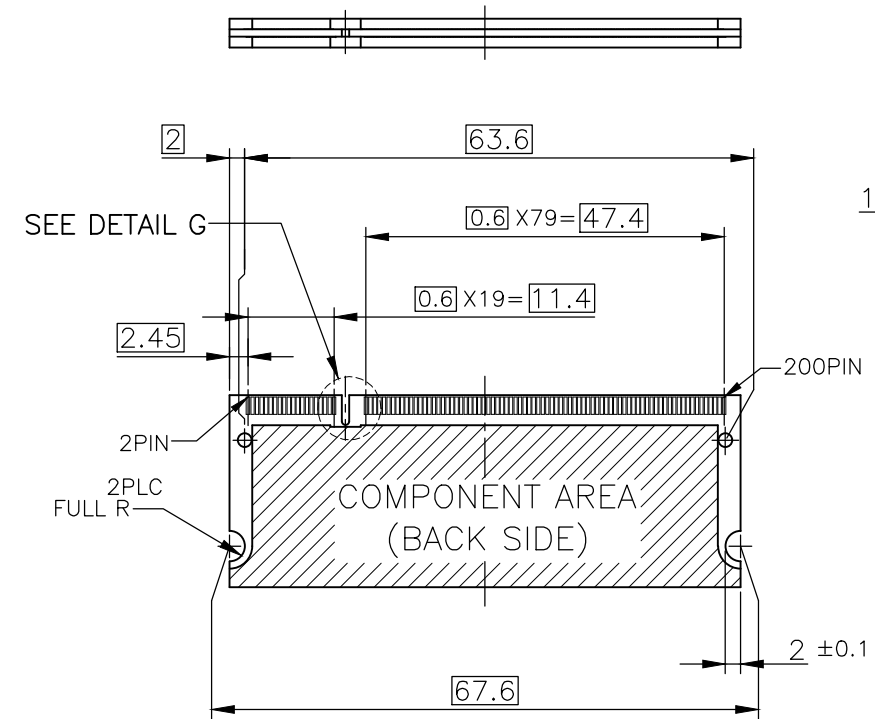
AVAILABLE	— # —	1.8V (DDR2)	17.55	2.4	2.7	200	1717468-4
AVAILABLE	— # —	2.5V (DDR1)	18.45	1.5	1.8	200	1717468-3
TOOLING STATUS	REMARKE	POWE SUPPLY (TYPE)	D5	D4	D3	POS	PART NO.
THIS DRAWING IS A CONTROLLED DOCUMENT.		DWN	T.FUMIKURA 22AUG03				
		CHK	T.KUSUHARA 22AUG03				
		APVD	H.MURAMATSU 22AUG03				
DIMENSIONS: MM		PRODUCT SPEC		NAME			
TOLERANCES UNLESS OTHERWISE SPECIFIED:		108-5701		DDR1 & DDR2 SODIMM SOCKET			
0 PLC ±		APPLICATION SPEC		0.6mm PITCH 200POS			
1 PLC ±		WEIGHT		6.5 HEIGHT STANDARD TYPE			
2 PLC ±		5.2g		SIZE		RESTRICTED TO	
3 PLC ±		A3		CAGE CODE		C-1717468	
4 PLC ±		CUSTOMER DRAWING		DRAWING NO		SCALE	
ANGLES ±		SCALE		SHEET		REV	
FINISH ±		2:1		1 OF 4		E	



P	LTR	DESCRIPTION	DATE	DWN	APVD
-	-	SEE SHEET 1	-	-	-



- (APPLIED TO SHEET 3)
1. TOLERANCES ON ALL DIMENSIONS  $\pm 0.15$  UNLESS OTHERWISE SPECIFIED.
  2. P.C. BOARD THICKNESS APPLIES ACROSS TABS AND INCLUDES PLATING AND/OR METALIZATION.
  3. FINISH OF PAD : GOLD PLATING 0.00076 MIN. OVER Ni PLATING 0.002MIN.
  4. NO BURR
  5. CHAMFER 0.25 MAX x 45° IF EXIST.

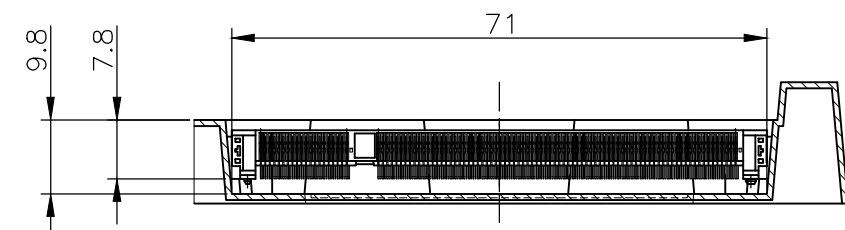
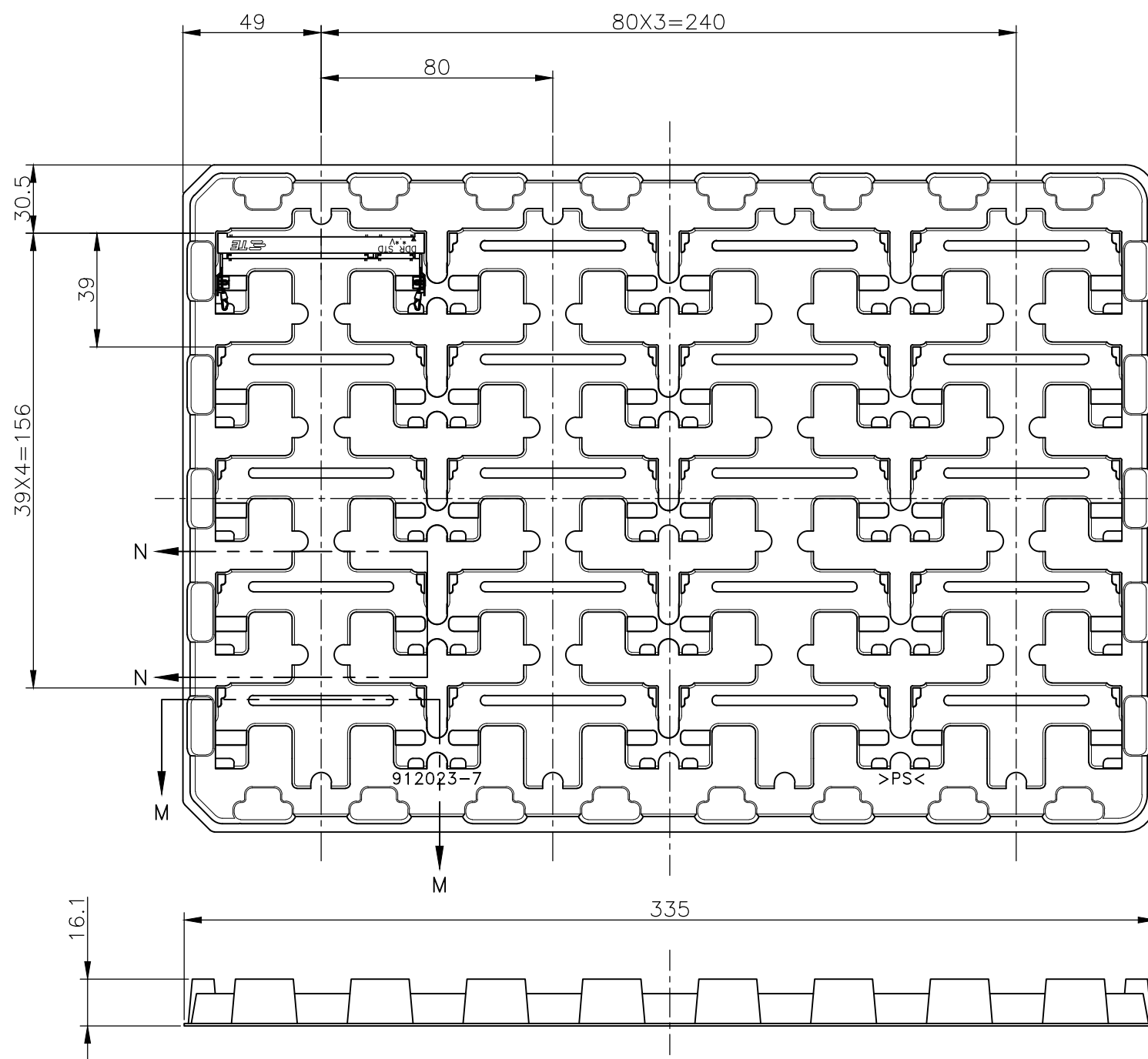


31.75	1.8V	17.55	2.4	2.7
25.4	2.5V	18.45	1.5	1.8
H	POWER SUPPLY	D5	D4	D3

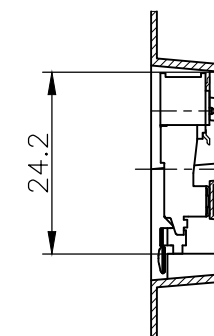
推奨基板仕様  
RECOMMENDED MATING P.C.B CONFIGURATION

THIS DRAWING IS A CONTROLLED DOCUMENT.		DWN		TE Connectivity Ltd.	
DIMENSIONS: MM		CHK			
TOLERANCES UNLESS OTHERWISE SPECIFIED:		APVD			
0 PLC ± 1 PLC ± 2 PLC ± 3 PLC ± 4 PLC ± ANGLES ± FINISH ±		NAME			
MATERIAL		PRODUCT SPEC		DDR1 & DDR2 SODIMM SOCKET 0.6mm PITCH 200POS 6.5 HEIGHT STANDARD TYPE	
		APPLICATION SPEC		SIZE CAGE CODE DRAWING NO RESTRICTED TO A3 00779 C-1717468	
		WEIGHT		SCALE 2:1 SHEET 3 OF 4 REV E	
		CUSTOMER DRAWING			

P	LTR	DESCRIPTION	DATE	DWN	APVD
-	-	SEE SHEET 1	-	-	-



M-M  
SCALE 1:1  
(180DEG. ROTATE)



N-N  
SCALE 1:1

1. THE DIRECTION OF EACH CONNECTOR ON A TRAY IS REFERRED TO THIS DRAWING.
2. GENERAL TOLERANCE:  $\pm 0.5$

20EA/TRAY	1717468-4
20EA/TRAY	1717468-3
QTY	P/N

THIS DRAWING IS A CONTROLLED DOCUMENT.		DWN		TE Connectivity Ltd.	
DIMENSIONS: MM		CHK			
		APVD			
TOLERANCES UNLESS OTHERWISE SPECIFIED: 0 PLC $\pm$ 1 PLC $\pm$ 2 PLC $\pm$ 3 PLC $\pm$ 4 PLC $\pm$ ANGLES $\pm$ FINISH		PRODUCT SPEC			
MATERIAL		WEIGHT		NAME	
		CUSTOMER DRAWING		DDR1 & DDR2 SODIMM SOCKET 0.6mm PITCH 200POS 6.5 HEIGHT STANDARD TYPE	
		SCALE 1:2		SIZE A3 CAGE CODE 00779 DRAWING NO. 1717468 RESTRICTED TO	
		SHEET 4 OF 4		REV E	

## X-ON Electronics

Largest Supplier of Electrical and Electronic Components

*Click to view similar products for [DIMM Connectors](#) category:*

*Click to view products by [TE Connectivity](#) manufacturer:*

Other Similar products are found below :

[1-1932649-2](#) [1-1761024-0](#) [2309411-5](#) [296409204002856+](#) [10116658-252ASLF](#) [5390471-1](#) [2309413-3](#) [78507-0061](#) [KIT-SODIMM-1X16GB/01](#) [10129206-0010013LF](#) [10086891-052TSLF](#) [10079192-11102LF](#) [10116658-152FSLF](#) [10129206-0011113LF](#) [1-2308107-0](#) [2013310-1](#) [2013289-1](#) [390111-1](#) [390112-1](#) [2309413-1](#) [2309407-1](#) [2309414-1](#) [10081530-12208LF](#) [151080-0001](#) [78726-1004](#) [10005639-11107LF](#) [10005639-11109LF](#) [10005639-12207LF](#) [10023061-10207LF](#) [10033853-252FSLF](#) [10033853-052ASLF](#) [10033853-052FSLF](#) [10033853-152FSLF](#) [10033854-052FSLF](#) [10034542-10002LF](#) [10037402-12207LF](#) [10081530-11107LF](#) [10081530-12207LF](#) [10081530-12218LF](#) [10124632-0030001LF](#) [10124806-01006LF](#) [10145891-0320J13LF](#) [10145226-0241N13LF](#) [59354-052FSLF](#) [59355-052FSLF](#) [DDR4288S0211TF](#) [DDR4288S0511H](#) [DDR4288S0511TF](#) [DDR4288V0123TF](#) [DDR4288V0213TF](#)