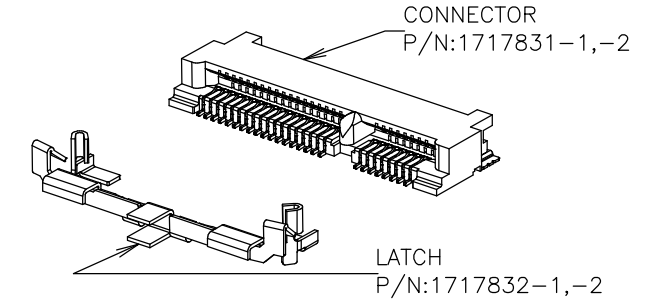
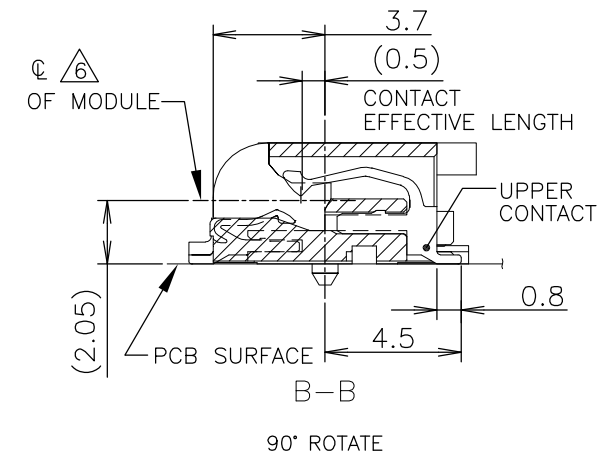


THIS DRAWING IS UNPUBLISHED. RELEASED FOR PUBLICATION OCT ,2003.
 © COPYRIGHT 2003 By -- ALL RIGHTS RESERVED.

NOTE
 1. MATERIAL : HOUSING : HIGH TEMPERATURE THERMO PLASTIC UL94V-0
 COLOR: BLACK
 CONTACT : COPPER ALLOY
 SOLDER PEG : COPPER ALLOY
 2. FINISH : CONTACT : GOLD FLASH ON CONTACT AREA, ALL OVER NICKEL.
 SOLDER PEG : TIN PLATE, ALL OVER NICKEL
 3. TOLERANCES NON-CUMMURATIVE
 4. -D- IS THE TOP SURFACE OF PCB.
 5. COMPONENT KEEP OUT AREA BASED ON MINI PCI EXPRESS SPECIFICATION
 1.0 CANDIDATE DRAFT (v1)
 6. THE FLOATING VALUE BY SOLDERING IS NOT INCLUDED.

REVISIONS					
P	LTR	DESCRIPTION	DATE	DWN	APVD
	E	RELEASED PER ECR-16-010328	19JUL2016	S.W	C.W

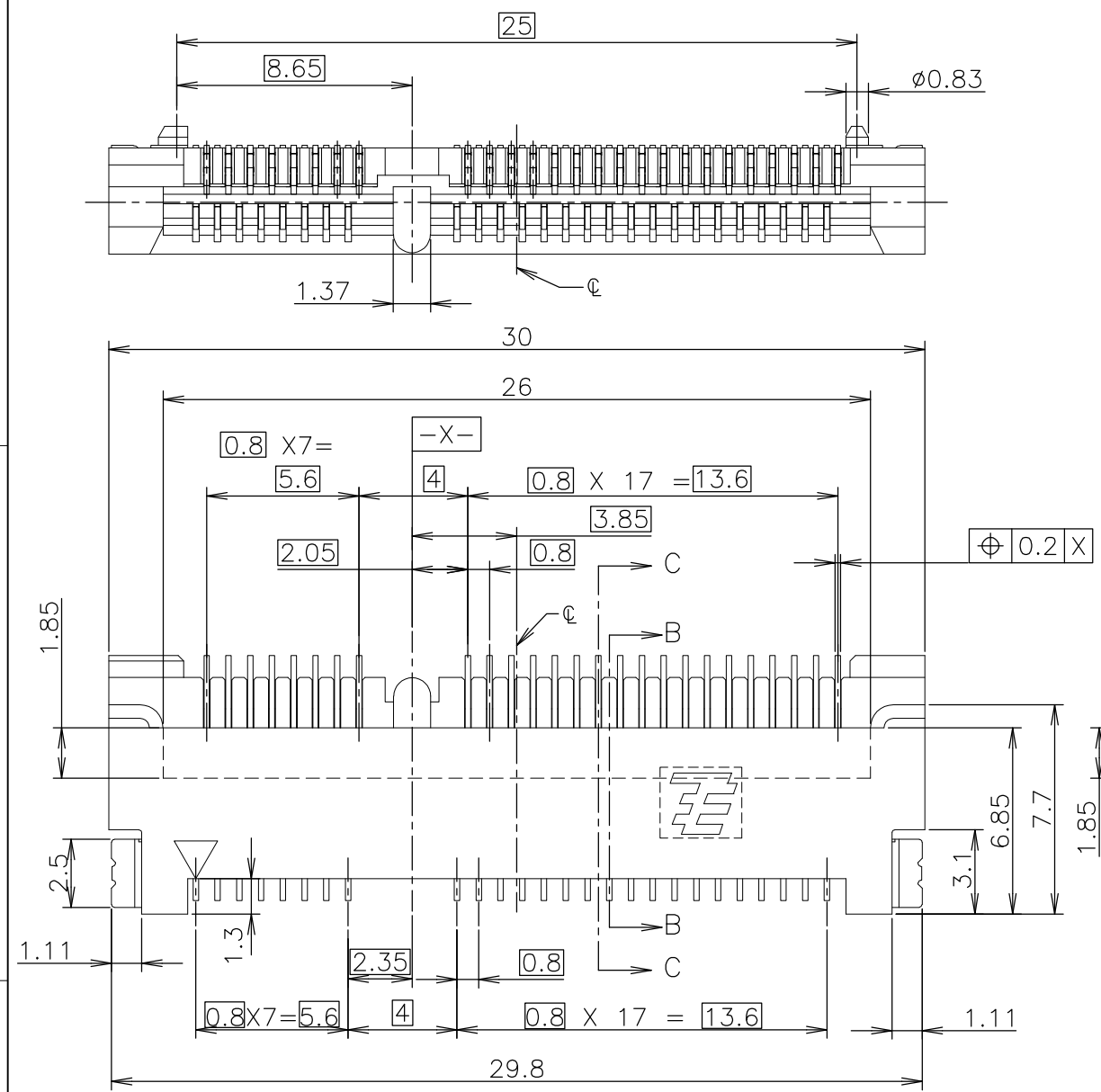
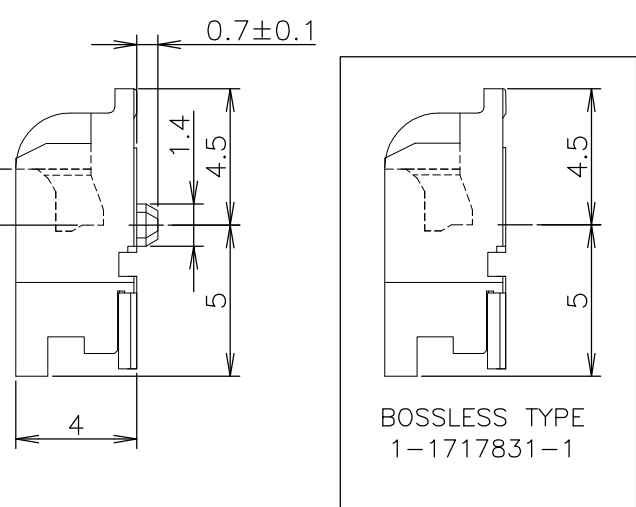
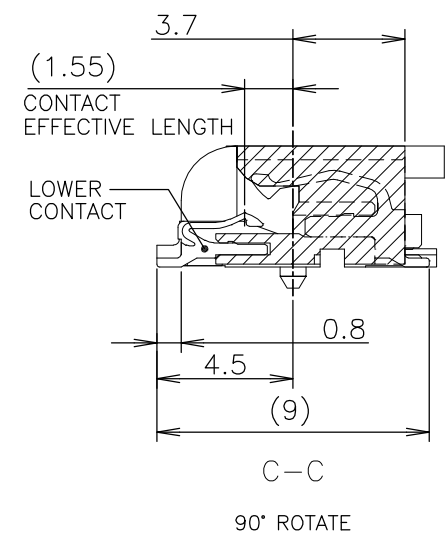


PCI-E MINI CARD CONNECTOR
 SIGNAL ASSIGNMENTS

PIN#	NAME	PIN#	NAME
51	Reserved	52	+3.3Vaux
49	Reserved	50	GND
47	Reserved	48	+1.5V
45	Reserved	46	LED_WPAN#
43	GND	44	LED_WLAN#
41	+3.3Vaux	42	LED_WWAN#
39	+3.3Vaux	40	GND
37	GND	38	USB_D+
35	GND	36	USB_D-
33	PETp0	34	GND
31	PETn0	32	SMB_DATA
29	GND	30	SMB_CLK
27	GND	28	+1.5V
25	PERp0	26	GND
23	PERn0	24	+3.3Vaux
21	GND	22	PERST#
19	Reserved* (UIM_C4)	20	W_DISABLE#
17	Reserved* (UIM_C8)	18	GND
MECHANICAL KEY			
15	GND	16	UIM_VPP
13	REFCLK+	14	UIM_RESET
11	REFCLK-	12	UIM_CLK
9	GND	10	UIM_DATA
7	CLKREQ#	8	UIM_PWR
5	COEX2	6	1.5V
3	COEX1	4	GND
1	WAKE#	2	3.3Vaux

mSATA CONNECTOR
 SIGNAL ASSIGNMENTS

PIN#	NAME	PIN#	NAME
51	Presence Detection	52	+3.3V
49	DA/DSS	50	GND
47	Vendor	48	+1.5V
45	Vendor	46	Reserved
43	No Connect	44	Reserved
41	+3.3V	42	Reserved
39	+3.3V	40	GND
37	GND	38	Reserved
35	GND	36	Reserved
33	+A	34	GND
31	-A	32	Two Wire Interface
29	GND	30	Two Wire Interface
27	GND	28	+1.5V
25	-B	26	GND
23	+B	24	+3.3V
21	GND	22	Reserved
19	Reserved	20	Reserved
17	Reserved	18	GND
MECHANICAL KEY			
15	GND	16	Reserved
13	Reserved	14	Reserved
11	Reserved	12	Reserved
9	GND	10	Reserved
7	Reserved	8	Reserved
5	Reserved	6	+1.5V
3	Reserved	4	GND
1	Reserved	2	+3.3V



TOLERANCES UNLESS OTHERWISE SPECIFIED
 10 ≥ : ±0.2
 30 ≥ >10: ±0.25
 100 ≥ >10: ±0.3
 ANGLES : ±3°

THIS DRAWING IS A CONTROLLED DOCUMENT.		DWN	J.TANIGAWA	100CT03
DIMENSIONS: MM		CHK	Y.YAMAMOTO	100CT03
TOLERANCES UNLESS OTHERWISE SPECIFIED:		APVD	Y.YAMAMOTO	100CT03
0 PLC ± -		NAME		
1 PLC ± -		SEMI HARD TRAY & EMBOSS TAPE SUPPLY		
2 PLC ± -		2 IN 1 mSATA AND MINI PCI EXPRESS MINI CARD		
3 PLC ± -		CONNECTOR 4mm HEIGHT		
4 PLC ± -		SIZE		
ANGLES ± -		CAGE CODE		
FINISH ± -		DRAWING NO		
SEE NOTE		RESTRICTED TO		
SEE NOTE		108-5899		
		WEIGHT		
		1.2g		
		CUSTOMER DRAWING		

STE TE Connectivity

108-5899

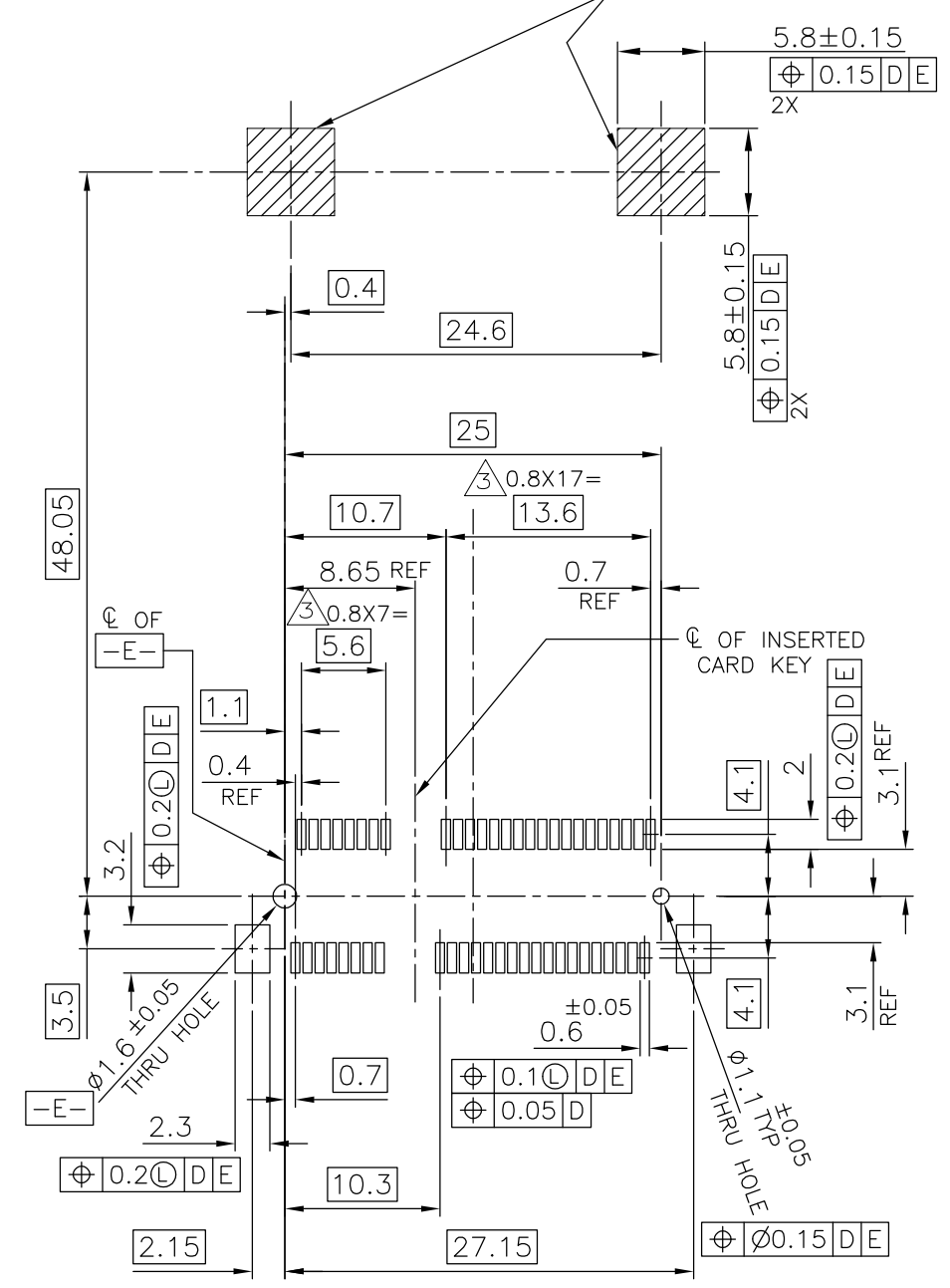
A300779 C-1717831

SCALE 4:1 SHEET 1 OF 7 REV E

THIS DRAWING IS UNPUBLISHED. RELEASED FOR PUBLICATION OCT. 2003.
 © COPYRIGHT 2003 By - ALL RIGHTS RESERVED.

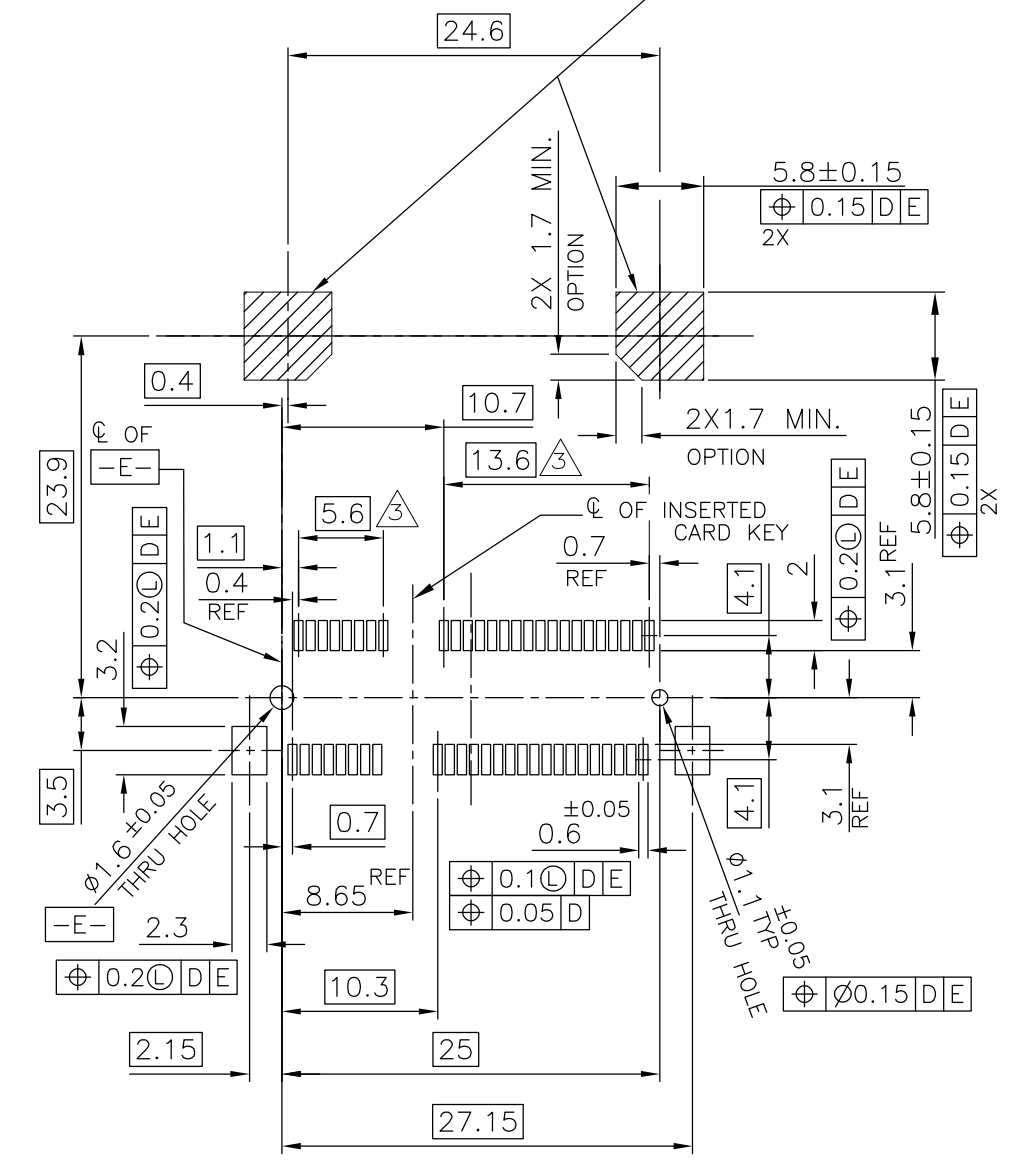
P	LTR	DESCRIPTION	DATE	DWN	APVD
-	-	SEE SHEET 1	-	-	-

Component and routing (all layers)
keep out area for hold down solutions


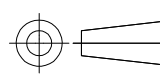


REFERENTIAL P.C.BOARD LAYOUT
FOR FULL CARD CONNECTOR

Component and routing (all layers)
keep out area for hold down solutions



REFERENTIAL P.C.BOARD LAYOUT
FOR HALF CARD CONNECTOR

THIS DRAWING IS A CONTROLLED DOCUMENT.		DWN	 TE Connectivity			
DIMENSIONS: MM		CHK				
TOLERANCES UNLESS OTHERWISE SPECIFIED: 0 PLC ± - 1 PLC ± - 2 PLC ± - 3 PLC ± - 4 PLC ± - ANGLES ± - MATERIAL FINISH		APVD	NAME			
		PRODUCT SPEC	SEMI HARD TRAY & EMBOSS TAPE SUPPLY 2 IN 1 mSATA AND MINI PCI EXPRESS MINI CARD CONNECTOR 4mm HEIGHT			
MATERIAL		APPLICATION SPEC	SIZE	CAGE CODE	DRAWING NO	RESTRICTED TO
		WEIGHT	A3	00779	C-1717831	-
CUSTOMER DRAWING			SCALE	SHEET	REV	
			2:1	2 OF 7	E	

THIS DRAWING IS UNPUBLISHED.

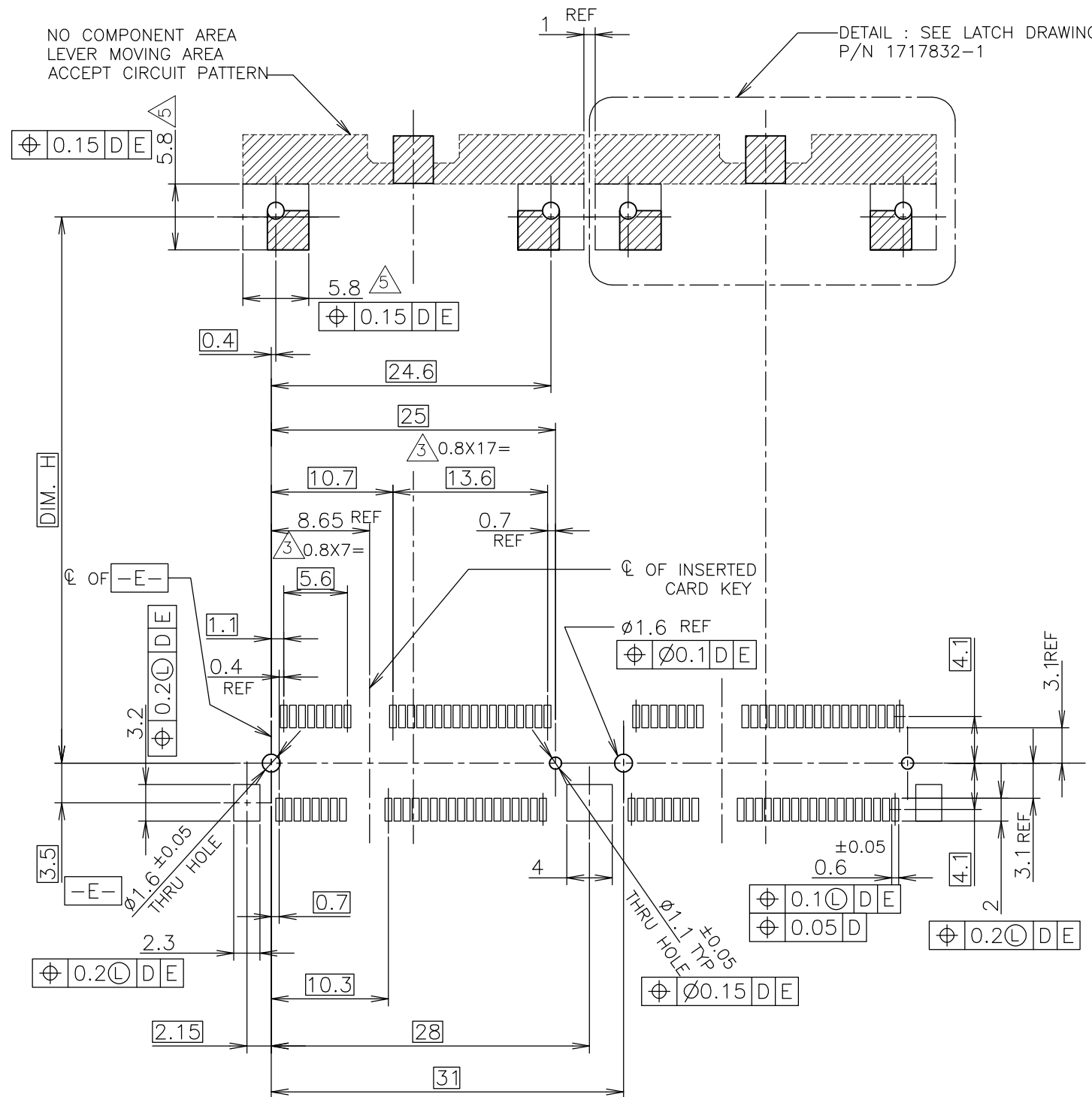
RELEASED FOR PUBLICATION OCT ,2003.

REVISIONS

© COPYRIGHT 2003 By -

ALL RIGHTS RESERVED.

P	LTR	DESCRIPTION	DATE	DWN	APVD
-	-	SEE SHEET 1	-	-	-

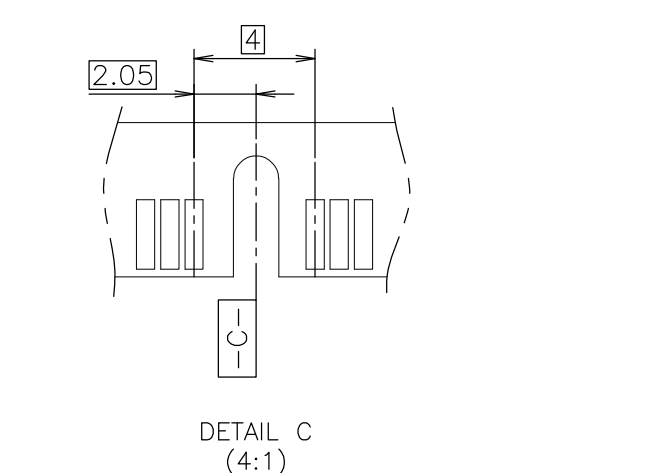
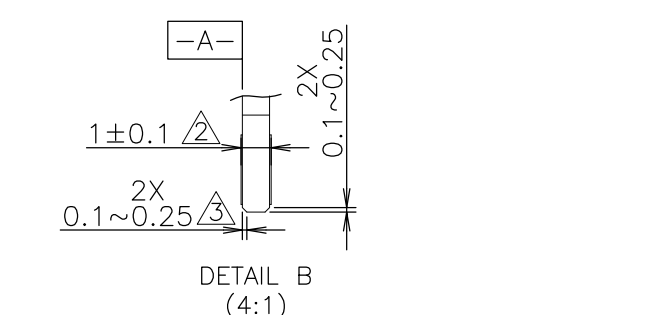
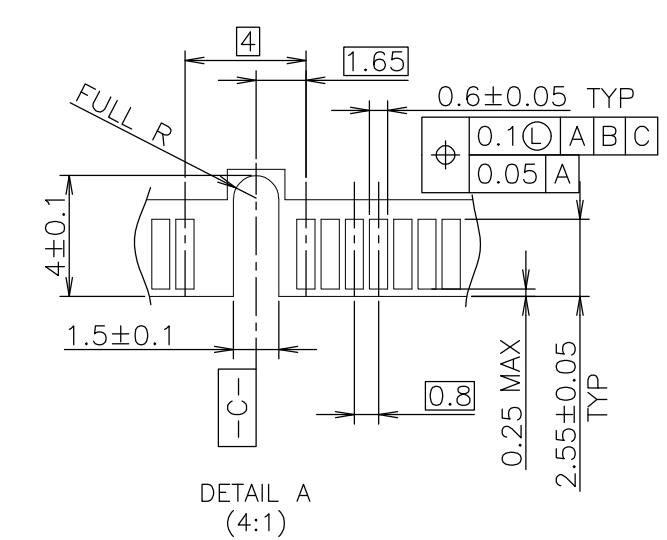
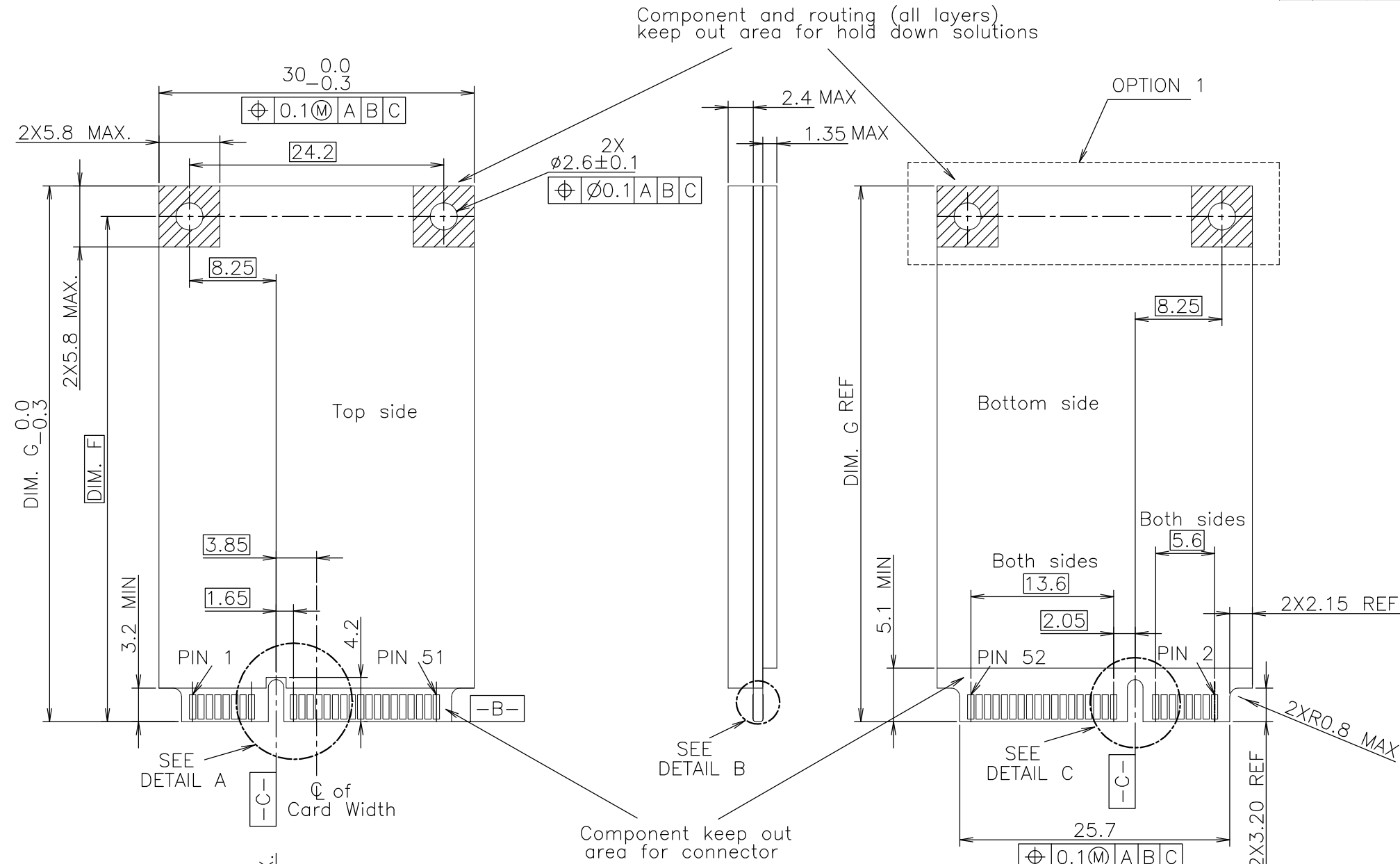


RECOMMENDED P.C.BOARD PATTERN LAYOUT FOR FULL CARD & SIDE BY SIDE MOUNT

DIM. H	
48.05	FULL-MINI CARD
23.9	HALF-MINI CARD

THIS DRAWING IS A CONTROLLED DOCUMENT.		DWN	TE Connectivity			
DIMENSIONS: MM		CHK				
		APVD				
TOLERANCES UNLESS OTHERWISE SPECIFIED: 0 PLC ± - 1 PLC ± - 2 PLC ± - 3 PLC ± - 4 PLC ± - ANGLES ± - MATERIAL FINISH ± -		NAME				
MATERIAL		PRODUCT SPEC	SEMI HARD TRAY & EMBOSS TAPE SUPPLY			
		APPLICATION SPEC	2 IN 1 mSATA AND MINI PCI EXPRESS MINI CARD			
		WEIGHT	CONNECTOR 4mm HEIGHT			
		CUSTOMER DRAWING	SIZE	CAGE CODE	DRAWING NO	RESTRICTED TO
			A3	00779	C-1717831	-
			SCALE	SHEET	REV	
			2:1	3 OF 7	E	

P	LTR	DESCRIPTION	DATE	DWN	APVD
-	-	SEE SHEET 1	-	-	-



RECOMMENDED MATING P.C.B CONFIGURATION FOR PCI EXPRESS MINI CARD

DIM. F	DIM. G	
48.05	50.95	FULL-MINI CARD
23.9	26.8	HALF-MINI CARD

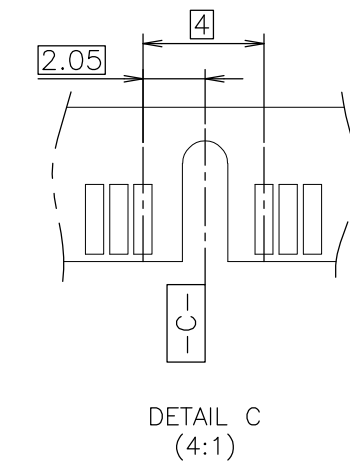
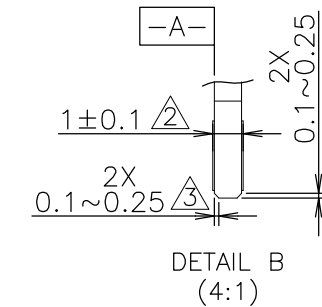
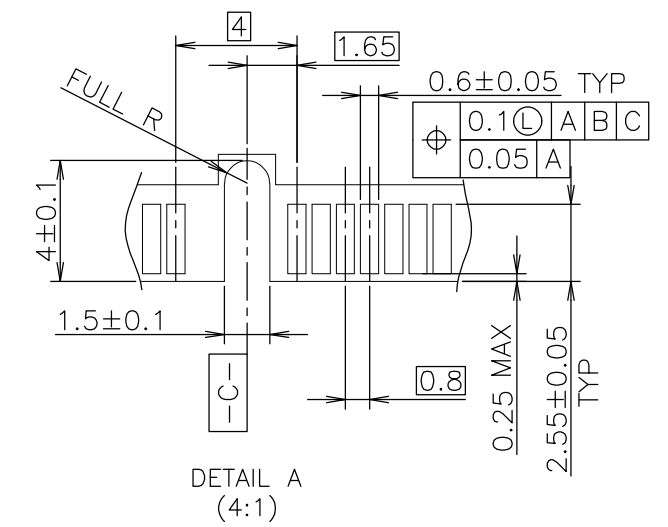
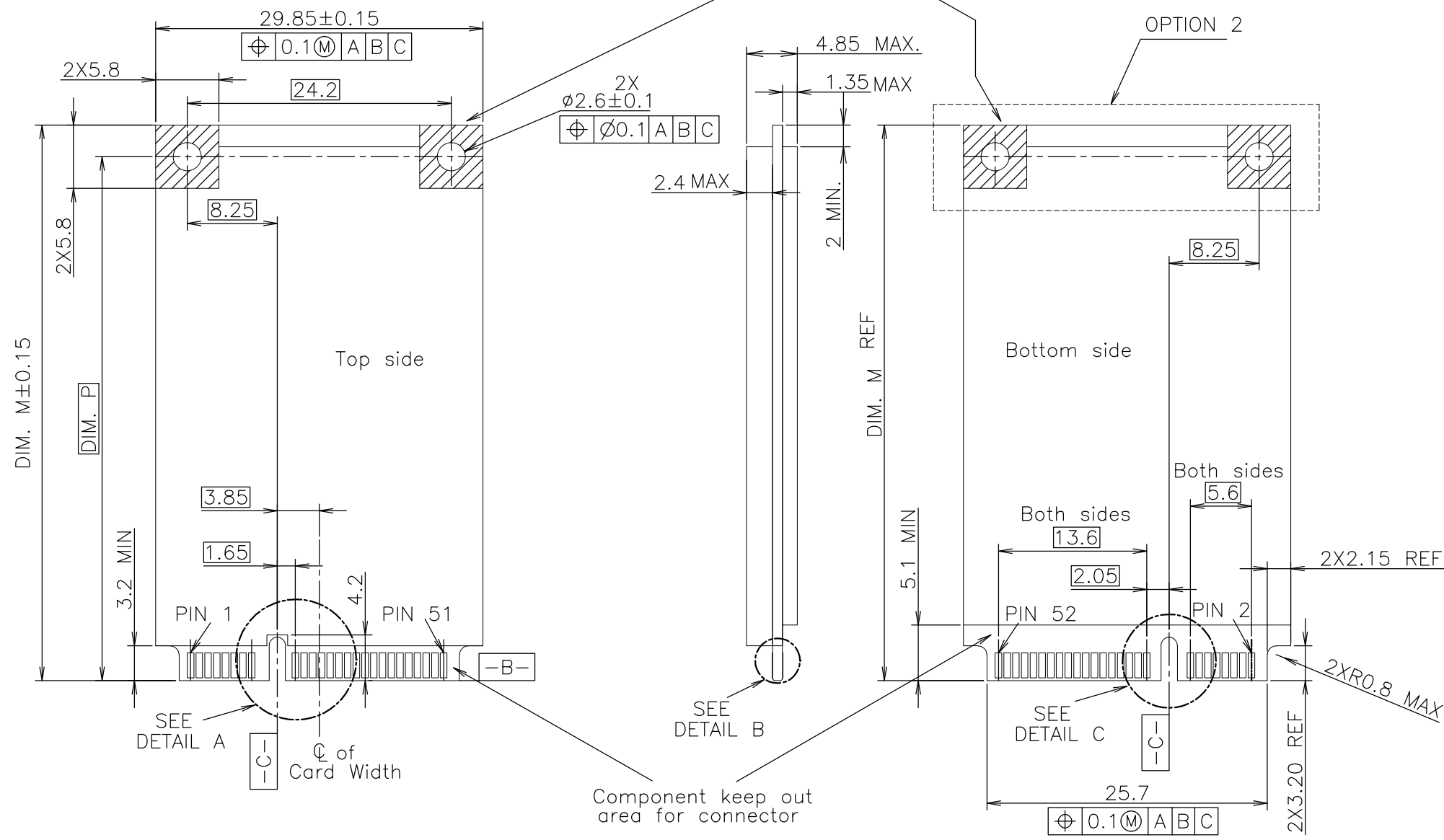
- NOTES
- 1.PCI EXPRESS MINI CARD,PCB THICKNESS 1.0mm.
 - 2.CARD THICKNESS APPLIES ACROSS TABS AND INCLUDES PLATING AND/OR METALIZATION.
 - 3.BEVEL MUST BE FREE OF CUTTING BURRS.

OPTION 1 FOR HALF-MINI CARD (TOP & BOTTOM SIDE)

THIS DRAWING IS A CONTROLLED DOCUMENT.		DWN		TE Connectivity	
DIMENSIONS: MM		CHK			
		APVD			
TOLERANCES UNLESS OTHERWISE SPECIFIED: 0 PLC ± - 1 PLC ± - 2 PLC ± - 3 PLC ± - 4 PLC ± - ANGLES ± - FINISH ± -		NAME			
MATERIAL		PRODUCT SPEC		SEMI HARD TRAY & EMBOSS TAPE SUPPLY	
		APPLICATION SPEC		2 IN 1 mSATA AND MINI PCI EXPRESS MINI CARD	
		WEIGHT		CONNECTOR 4mm HEIGHT	
		CUSTOMER DRAWING		SIZE	RESTRICTED TO
				A3	-
				CAGE CODE	
				G-1717831	
				DRAWING NO	
				SCALE	
				2:1	
				SHEET	
				4 OF 7	
				REV	
				E	

P	LTR	DESCRIPTION	DATE	DWN	APVD
-	-	SEE SHEET 1	-	-	-

Component and routing (all layers) keep out area for hold down solutions



RECOMMENDED MATING P.C.B CONFIGURATION FOR mSATA

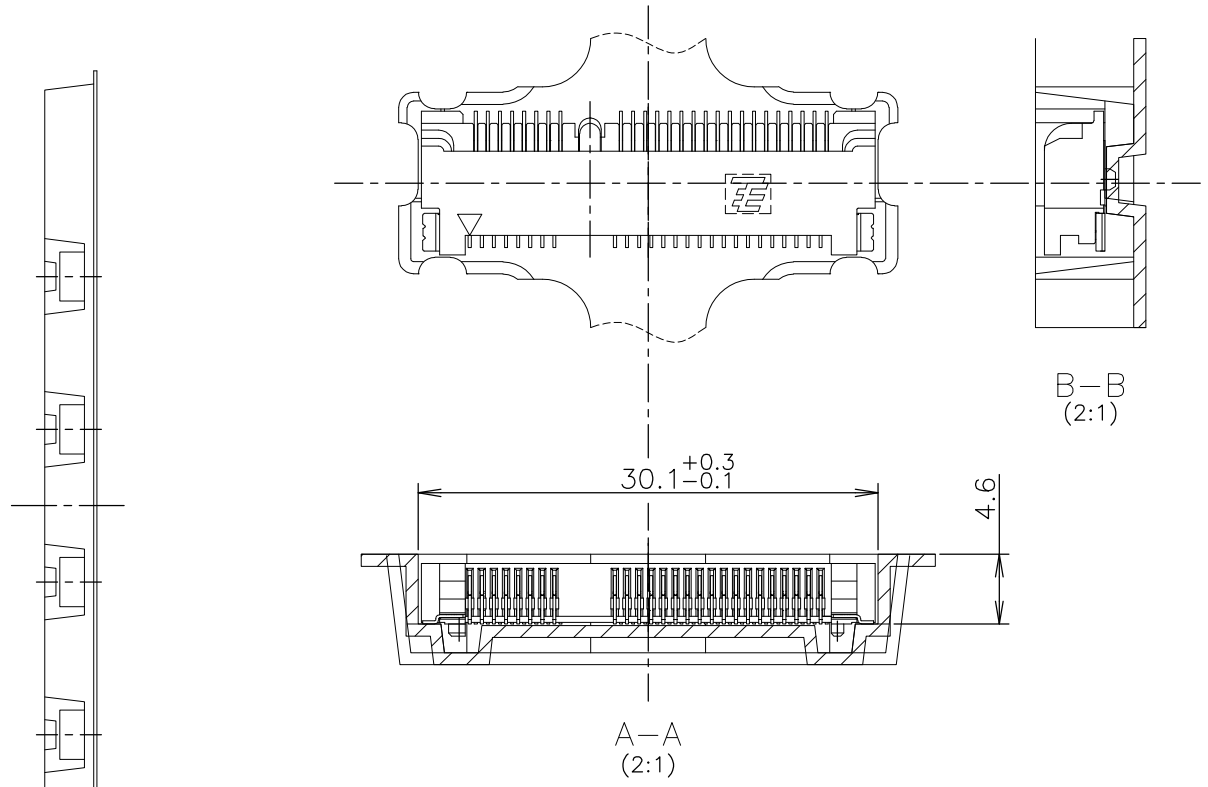
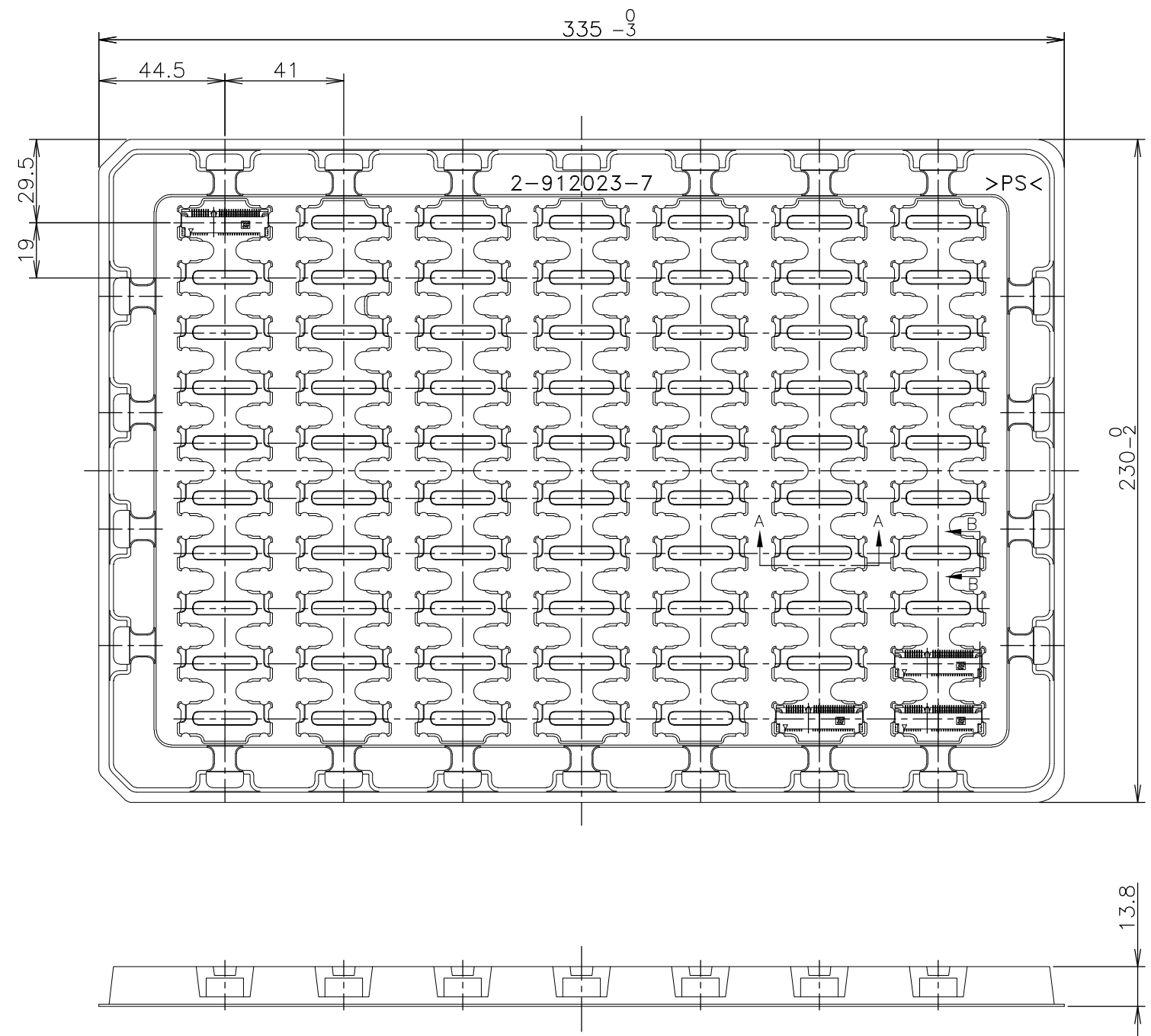
DIM. P	DIM. M	
48.05	50.8	FULL CARD
23.9	26.8	HALF CARD

THIS DRAWING IS A CONTROLLED DOCUMENT.		DWN		TE Connectivity NAME SEMI HARD TRAY & EMBOSS TAPE SUPPLY 2 IN 1 mSATA AND MINI PCI EXPRESS MINI CARD CONNECTOR 4mm HEIGHT	
DIMENSIONS: MM		CHK			
TOLERANCES UNLESS OTHERWISE SPECIFIED:		APVD			
0 PLC ± - 1 PLC ± - 2 PLC ± - 3 PLC ± - 4 PLC ± - ANGLES ± - MATERIAL FINISH ± -		PRODUCT SPEC			
MATERIAL		APVD		APPLICATION SPEC	
WEIGHT		APVD		SIZE	
CUSTOMER DRAWING		APVD		CAGE CODE	
SCALE 2:1		APVD		DRAWING NO	
SHEET 5 OF 7		APVD		RESTRICTED TO	
REV E		APVD		A300779 C-1717831	

- NOTES
- 1.mSATA CARD,PCB THICKNESS 1.0mm.
 - CARD THICKNESS APPLIES ACROSS TABS AND INCLUDES PLATING AND/OR METALIZATION.
 - BEVEL MUST BE FREE OF CUTTING BURRS.
 - COMPONENT AND ROUTING (TOP/BOTTOM LAYER) KEEP OUT AREA FOR HOLD DOWN SOLUTIONS.

THIS DRAWING IS UNPUBLISHED. RELEASED FOR PUBLICATION OCT , 2003.
 © COPYRIGHT 2003 By - ALL RIGHTS RESERVED.

REVISIONS					
P	LTR	DESCRIPTION	DATE	DWN	APVD
-	-	SEE SHEET 1	-	-	-



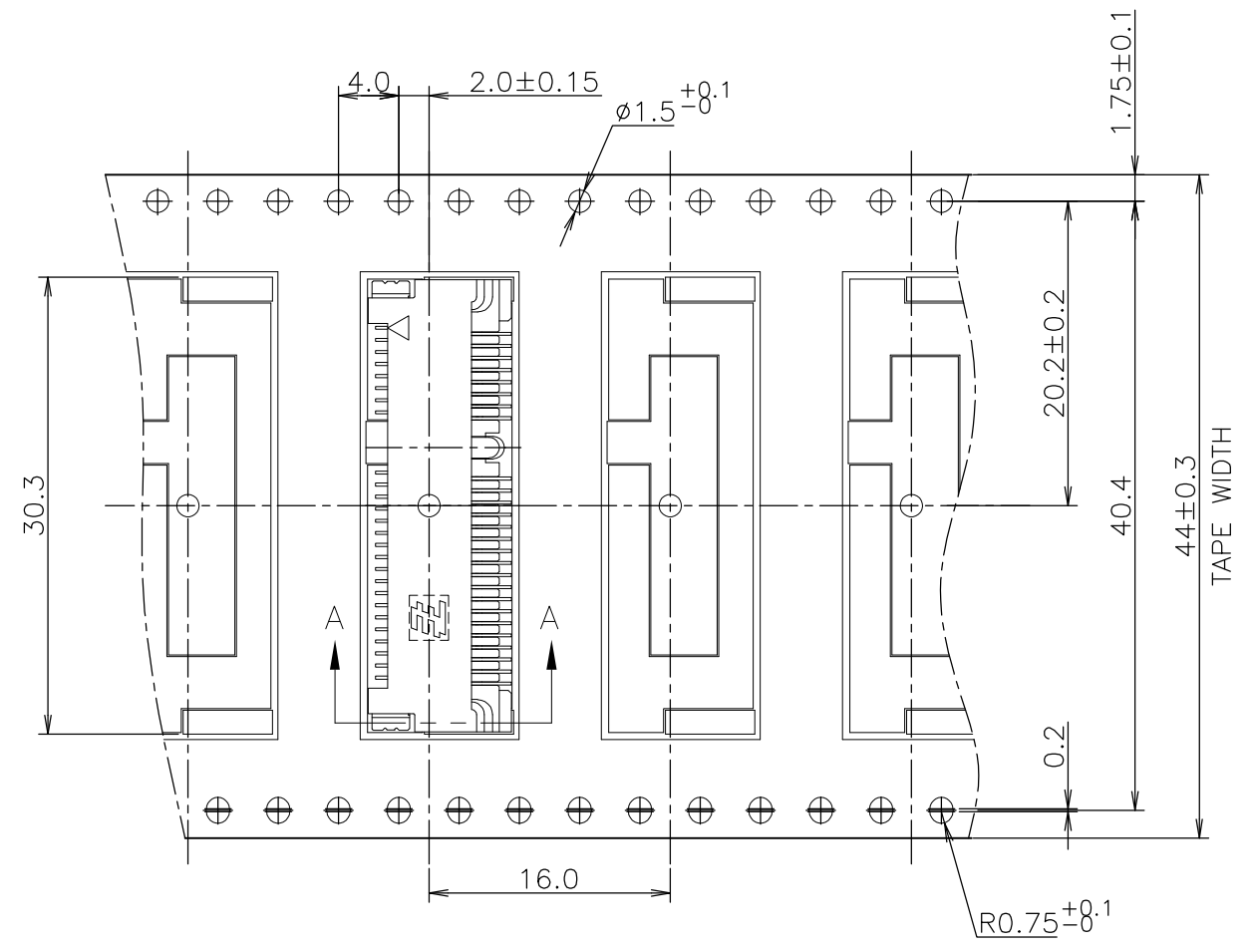
NOTE
 1. THE DIRECTION OF EACH CONNECTOR ON A TRAY IS REFERRED TO THIS DWG.

BOSSLESS	70EA/TRAY	2-912023-7	1-1717831-1
//	70EA/TRAY	2-912023-7	1717831-1
REMARK	QTY	TRAY P/N	P/N

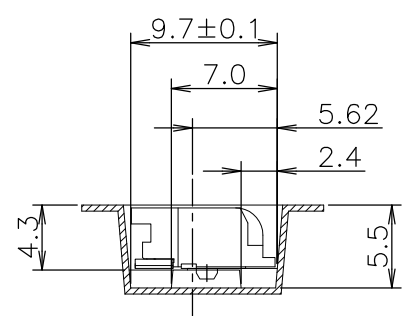
THIS DRAWING IS A CONTROLLED DOCUMENT.		DWN	STE TE Connectivity			
DIMENSIONS: MM		CHK				
TOLERANCES UNLESS OTHERWISE SPECIFIED:		APVD	NAME			
0 PLC ± -	TOLERANCES UNLESS OTHERWISE SPECIFIED: ±0.5	PRODUCT SPEC	SEMI HARD TRAY & EMBOSS TAPE SUPPLY			
1 PLC ± -		108-5899	2 IN 1 mSATA AND MINI PCI EXPRESS MINI CARD			
2 PLC ± -		APPLICATION SPEC	CONNECTOR 4mm HEIGHT			
3 PLC ± -		MATERIAL	SIZE	CAGE CODE	DRAWING NO	RESTRICTED TO
4 PLC ± -		FINISH	A3	00779	C-1717831	-
ANGLES ± -		WEIGHT	CUSTOMER DRAWING			
			SCALE	SHEET	REV	
			NTS	6 OF 7	E	

THIS DRAWING IS UNPUBLISHED. RELEASED FOR PUBLICATION OCT , 2003.
 © COPYRIGHT 2003 By - ALL RIGHTS RESERVED.

REVISIONS					
P	LTR	DESCRIPTION	DATE	DWN	APVD
-	-	SEE SHEET 1	-	-	-

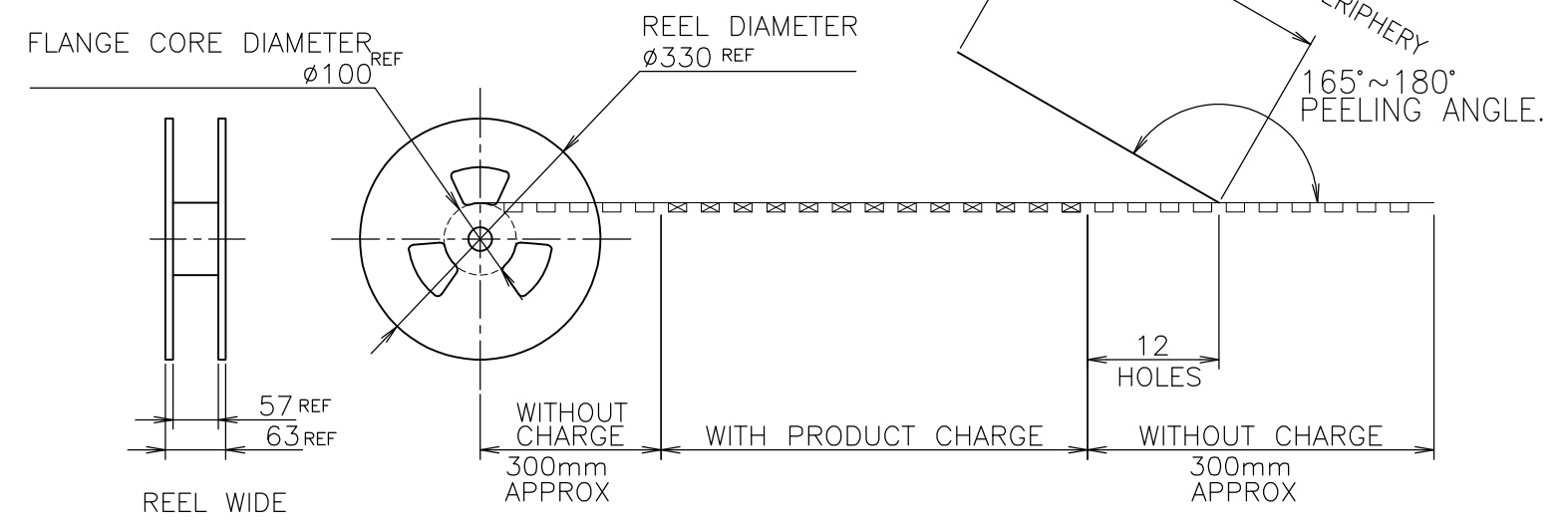


NOTE 1. PEELING RESISTANCE : 0.1N~1.3N
 (10gf~130gf)
 SPEED : 300mm/min



A-A

TOP OF REEL →



//	500EA	5-912103-9	1717831-2
REMARK	QTY/REEL	EMBOSS TAPE P/N	P/N

THIS DRAWING IS A CONTROLLED DOCUMENT.		DWN	STE TE Connectivity		
DIMENSIONS: MM		CHK			
TOLERANCES UNLESS OTHERWISE SPECIFIED:		APVD	NAME		
0 PLC ± -		PRODUCT SPEC	SEMI HARD TRAY & EMBOSS TAPE SUPPLY		
1 PLC ± -		108-5899	2 IN 1 mSATA AND MINI PCI EXPRESS MINI CARD		
2 PLC ± -		APPLICATION SPEC	CONNECTOR 4mm HEIGHT		
3 PLC ± -		WEIGHT	SIZE	CAGE CODE	DRAWING NO
4 PLC ± -		CUSTOMER DRAWING	A3	00779	C-1717831
ANGLES ± -			SCALE	SHEET	REV
FINISH		2:1	7 OF 7	E	

X-ON Electronics

Largest Supplier of Electrical and Electronic Components

Click to view similar products for [Memory Card Connectors](#) category:

Click to view products by [TE Connectivity](#) manufacturer:

Other Similar products are found below :

[M21-033321-005](#) [6407-249V-25273P](#) [6407-249V-25343P](#) [6426-201-21343](#) [69.920.0553.0](#) [FCN-568P068-G/07-4V](#) [809180410000000](#)
[HMCAP001](#) [252-0144-000](#) [2041353-2](#) [33CFAE-DN](#) [502431-1011](#) [617230001](#) [NX1-32T-KT3K\(05\)](#) [95622-003LF](#) [N7E50-U516RB-50-](#)
[SIN0005](#) [95079-00CALF](#) [84648-056HLF](#) [33DVIR-29S12R](#) [125A-78C00](#) [MI20A-50PD-SF-EJL\(71\)](#) [KP10S-SF-PEJ\(812\)](#) [504536-0691](#)
[504580-0691](#) [CCM03-3109 B LFT](#) [MI21-50PD-SF\(91\)](#) [2309923-1](#) [61126-050CAHLF](#) [IC1GA-68PD-1.27DS-EJ\(72\)](#) [GTFP08432B1HR](#)
[G85DT17001P1EU](#) [G85B21611142HHR](#) [GSD090144HR](#) [G85D1140022P1HR](#) [GMCB05801124EU](#) [G85C11101152HHR](#)
[G85B231021B1HR](#) [G85D1160022HHR](#) [123A-21M00](#) [123A-30B00](#) [123A-30A00](#) [123A-21A00](#) [123A-21B00](#) [123A-21E00](#) [123A-30E00](#)
[123A-30M00](#) [123A-40A00](#) [123A-40E00](#) [123A-40M00](#) [123A-58B01](#)