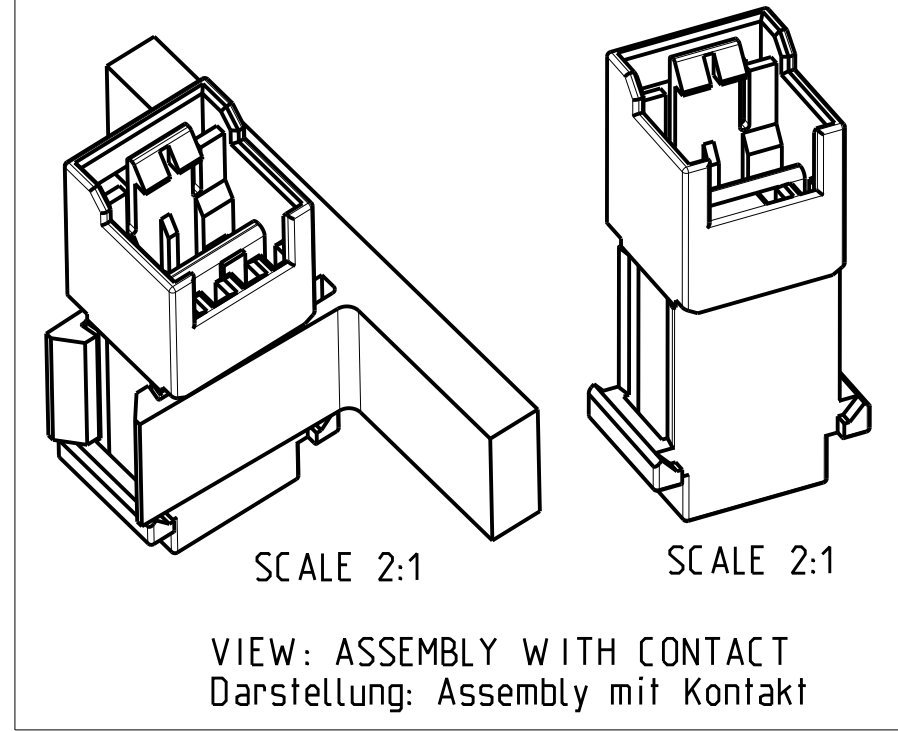
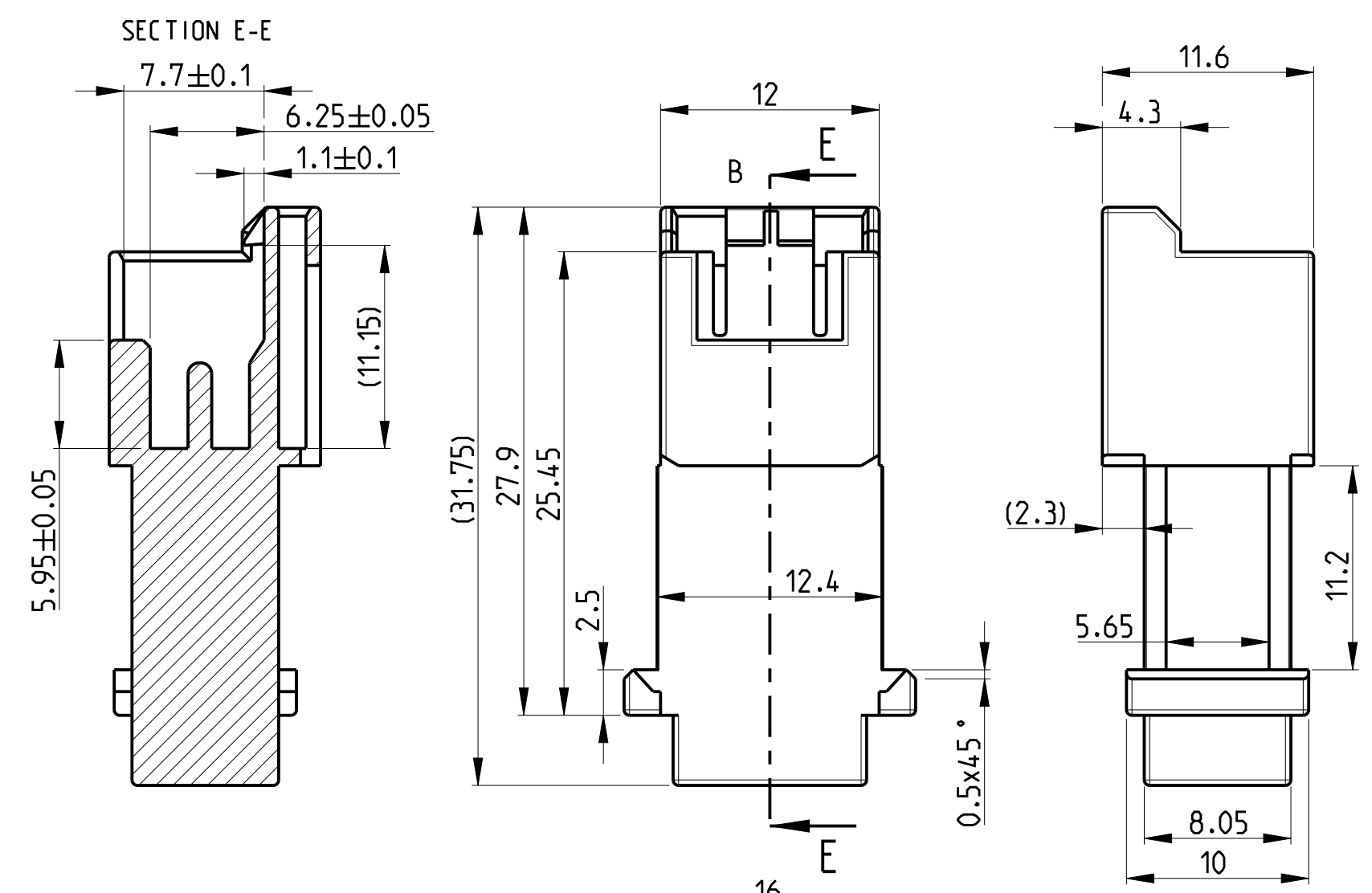
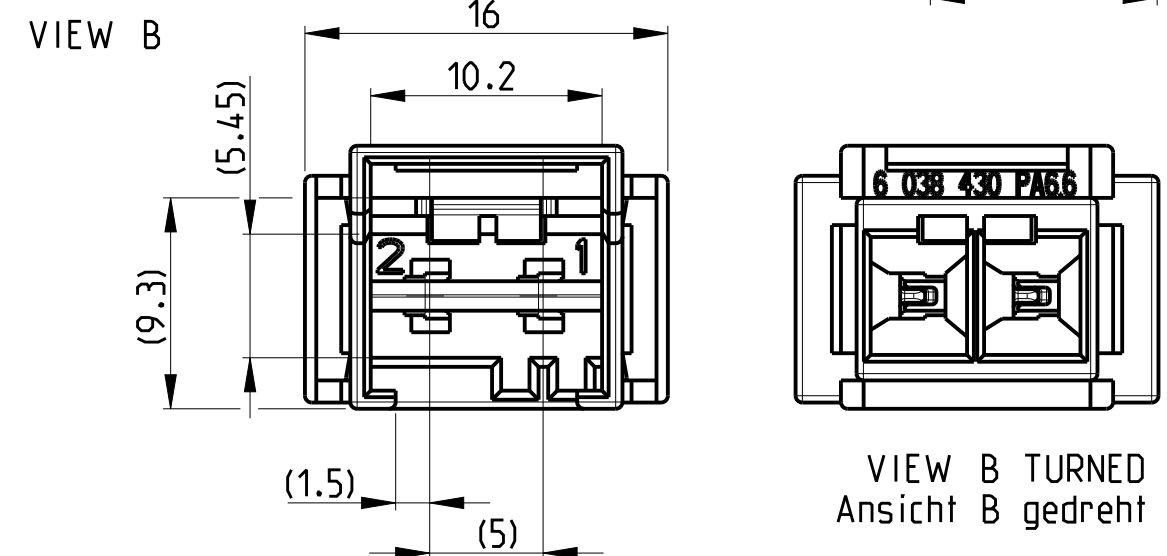
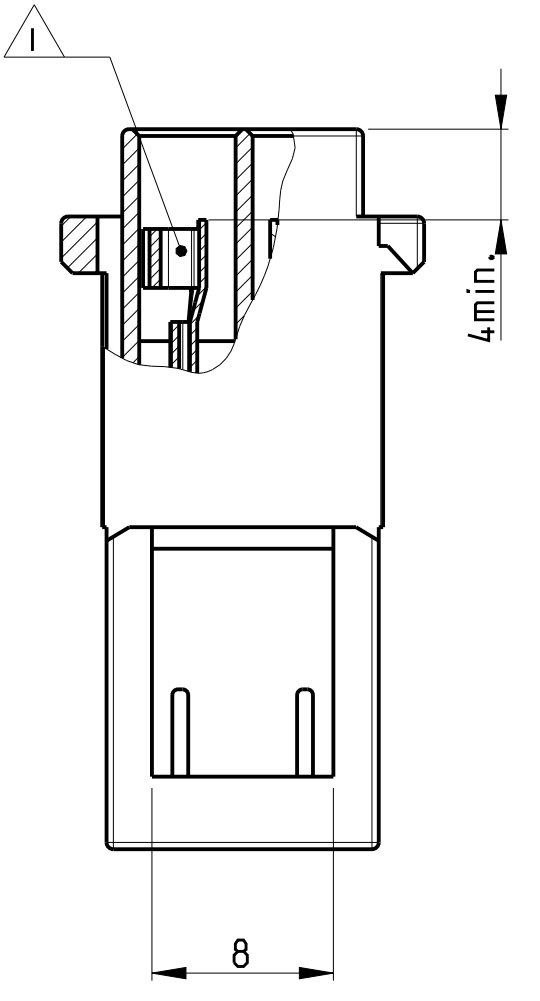


THIS DRAWING IS UNPUBLISHED. RELEASED FOR PUBLICATION 2003
 © COPYRIGHT 2003 BY TYCO ELECTRONICS CORPORATION. ALL RIGHTS RESERVED.

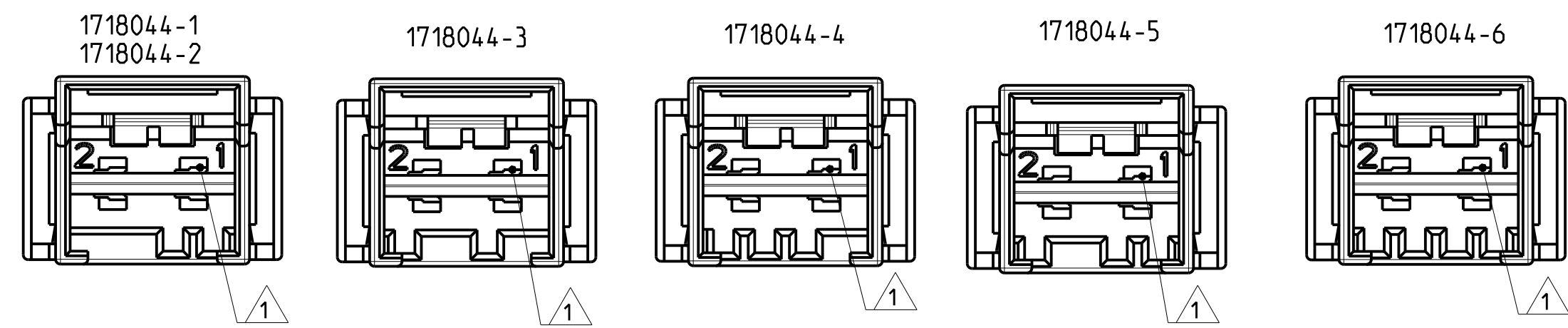
LOC		DIST		REVISIONS			
P	LTR	DESCRIPTION	DATE	DWN	APVD		
A1	-	B9	ECR-20-011255	11AUG2020	LZ	WW	



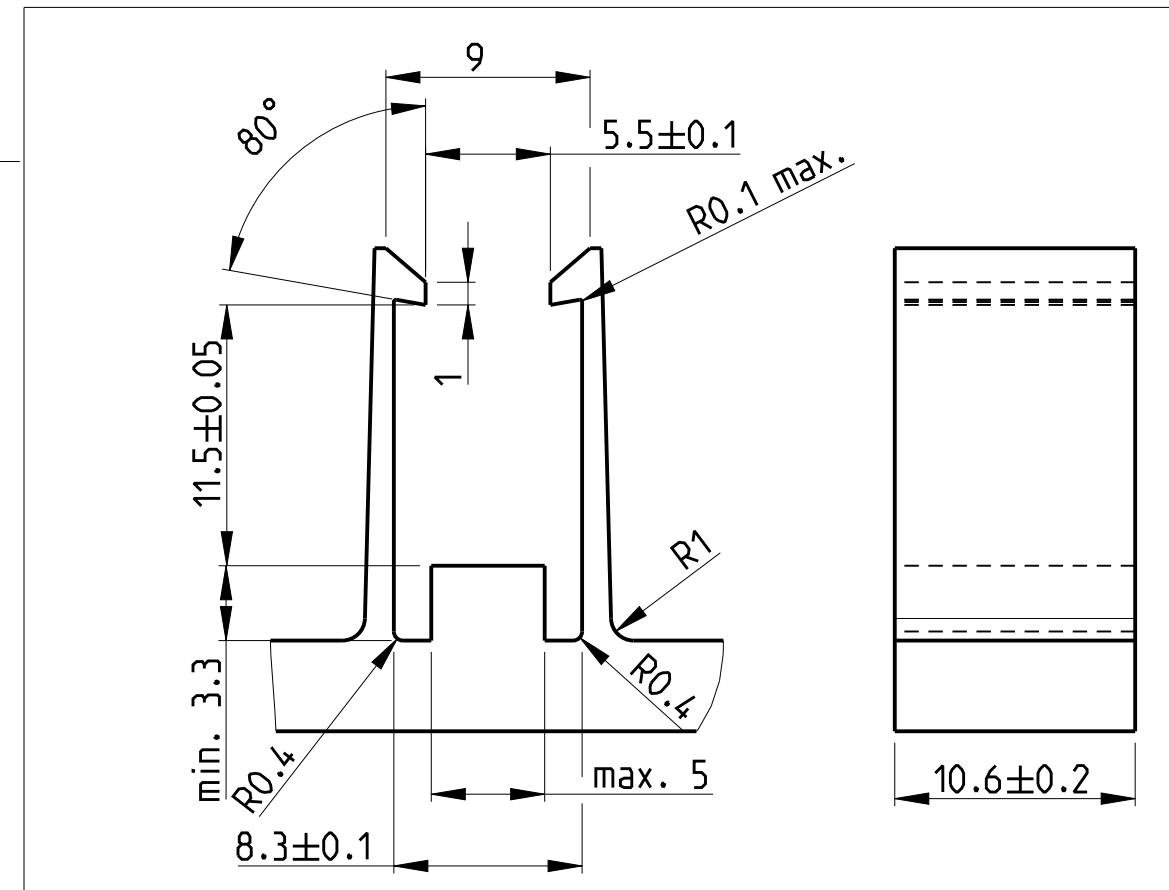
- NOTE
- 1 CAVITY DESIGNED FOR TAB CONTACT NO. 284798-1 0.5 mm² - 0.75 mm² (20 - 18 AWG) OR 293322-1 FOR WIRE RANGE 0.3 - 0.8 mm² (22 - 18 AWG) OR 1955441-1 FOR WIRE RANGE 0.2 - 0.5 mm² (24 - 20 AWG).
 - 2 RECOMMENDED MATING CONNECTOR FAMILIES INCLUDE DUO-PLUG MK II AND DUO-PLUG POWER SEE TABLE FOR RIB REMOVAL FOR MATING CONNECTOR
 - 3 IEC 60695-2-11 / IEC 60335-1 GLOW WIRE TEST 750 °C WITHOUT FLAME
 - 4 KEYING PATTERN: SEE TABLE
 - 5 PRELIMINARY PART - NOT YET RELEASED FOR PRODUCTION



Keying Scheme



/	a. b. c. d	NATURE, SIMILAR RAL 9010 Natur, aehnlich RAL 9010	PA 6 UL94 V-2	3	0-1718044-6
c	a. b. d	NATURE, SIMILAR RAL 9010 Natur, aehnlich RAL 9010	PA 6 UL94 V-2	3	0-1718044-5
a	b.c.d	NATURE, SIMILAR RAL 9010 Natur, aehnlich RAL 9010	PA 6 UL94 V-2	3	0-1718044-4
a.c	b.d	NATURE, SIMILAR RAL 9010 Natur, aehnlich RAL 9010	PA 6 UL94 V-2	3	0-1718044-3
c.d	a.b	NATURE, SIMILAR RAL 9010 Natur, aehnlich RAL 9010	PA 6 UL94 V-2	3	0-1718044-2
c.d	a.b	NATURE Natur	PA 6.6 UL94 V-2		0-1718044-1
MATING CONNECTOR	2	KEYING	4	COLOUR/Farbe	MATERIAL
					PN/Bestell-Nr.



THE LOCKING HOOK PART IS NOT INCLUDED. INFORMATION FOR REFERENCE ONLY.
 Die Rasthaken sind nicht Auftragsbestandteil. Die Angaben dienen lediglich als Beispiel.

<small>THIS DRAWING IS A CONTROLLED DOCUMENT FOR TYCO ELECTRONICS CORPORATION IT IS SUBJECT TO CHANGE AND THE CONTROLLING ENGINEERING ORGANIZATION SHOULD BE CONTACTED FOR THE LATEST REVISION.</small>		DWN GERLACH 29SEP2003 CHK SCHNAUBELT 29SEP2003 APVD KLENNER 29SEP2003	Tyco Electronics Tyco Electronics AMP GmbH D - 64625 Bensheim
DIMENSIONS: mm 	TOLERANCES UNLESS OTHERWISE SPECIFIED: 0 PLC ± 1 PLC ±0.1 2 PLC ±0.05 3 PLC ± 4 PLC ± ANGLES ± FINISH ±	NAME 2 POSN. TABHEADER HOUSING FOR DUOPLUG CONNECTOR APPLICATION SPEC WEIGHT CUSTOMER DRAWING	SIZE A2 CAGE CODE 00779 DRAWING NO. C-1718044 RESTRICTED TO SCALE 3:1 SHEET 1 OF 1 REV B9

X-ON Electronics

Largest Supplier of Electrical and Electronic Components

Click to view similar products for [Headers & Wire Housings](#) category:

Click to view products by [TE Connectivity](#) manufacturer:

Other Similar products are found below :

[892-18-020-10-001101](#) [58102-G61-06LF](#) [582553-1](#) [0009485154](#) [009176003701906](#) [0050291907](#) [LY20-4P-DT1-P1E-BR](#) [02.125.8002.8](#)
[609-3404](#) [61062-3](#) [61082-181009](#) [622-3653LF](#) [63453-116](#) [636-1030](#) [636-1427](#) [636-3427](#) [636-4007](#) [641938-9](#) [641991-4](#) [644827-2](#) [65817-010LF](#) [65817-015LF](#) [65863-015LF](#) [66207-023LF](#) [67095-007LF](#) [67601157](#) [68645-018](#) [68648-049](#) [70.362.1628.0](#) [70-4210](#) [70-4226B](#) [70-4853B](#) [707-5020](#) [707-5028](#) [71.350.2428.0](#) [71918-208LF](#) [71961-016LF](#) [733-134](#) [733-162](#) [754199-000](#) [760-3052](#) [787-8014-00](#) [79531-3000](#)
[FCN-360C032-B](#) [FCN-367T-T012/H](#) [FCN-723D010/2](#) [80.063.4001.1](#) [800-90-001-10-001000](#) [800-90-010-10-002000](#) [801-43-002-10-013000](#)