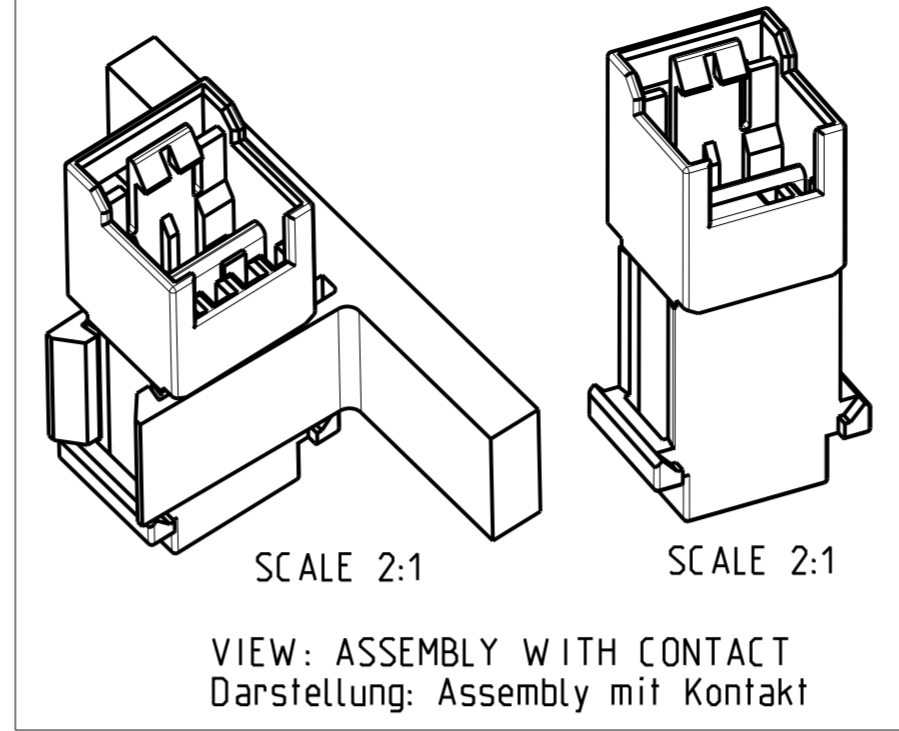
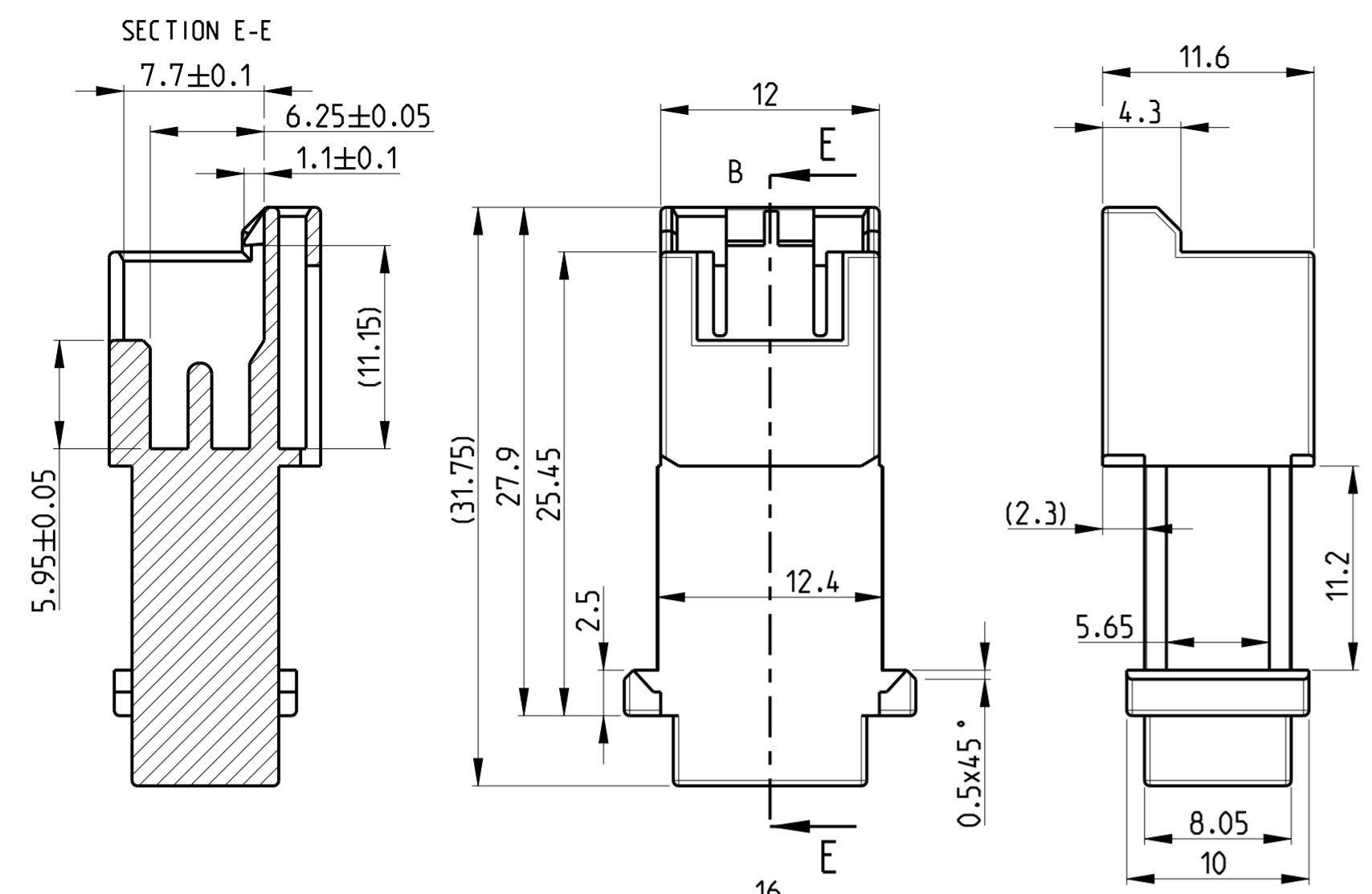
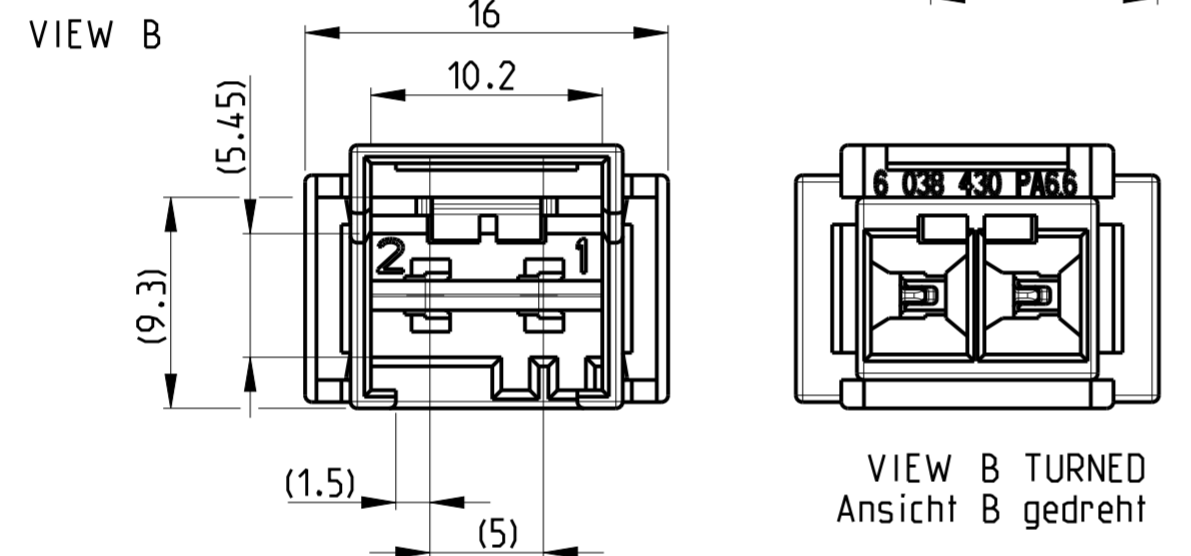
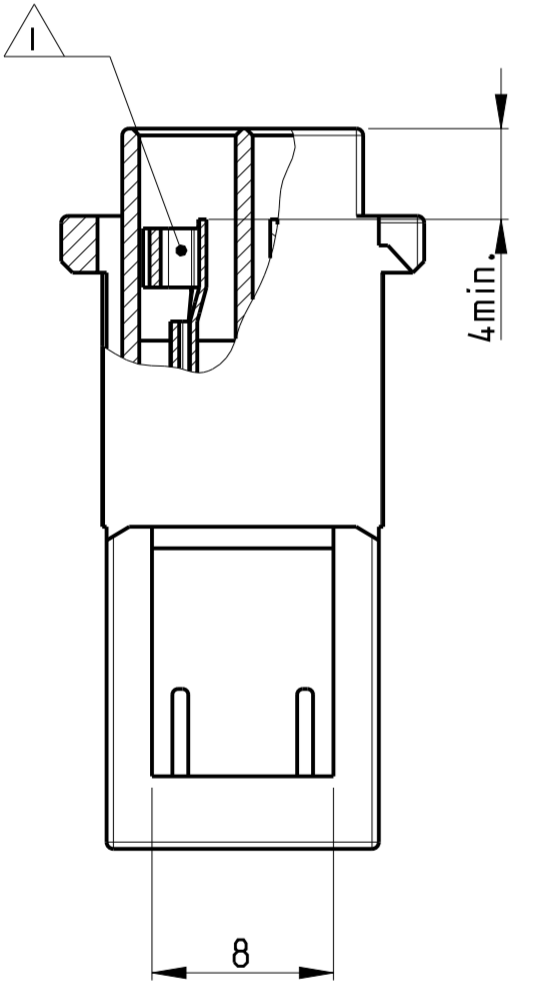


THIS DRAWING IS UNPUBLISHED. RELEASED FOR PUBLICATION 2003
 © COPYRIGHT 2003 BY TYCO ELECTRONICS CORPORATION. ALL RIGHTS RESERVED.

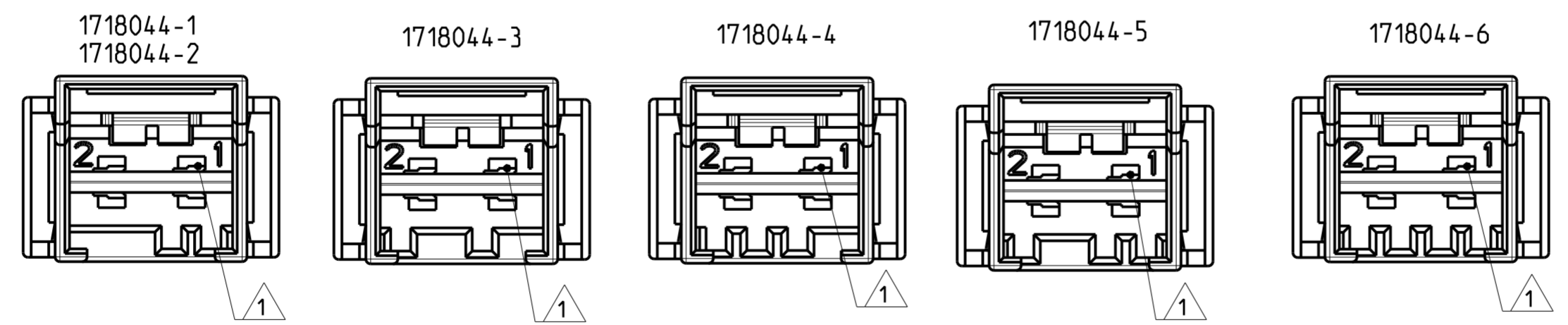
LOC		DIST		REVISIONS			
P	LTR	DESCRIPTION	DATE	DWN	APVD		
A1	-	B9	ECR-20-011255	11AUG2020	LZ	WW	



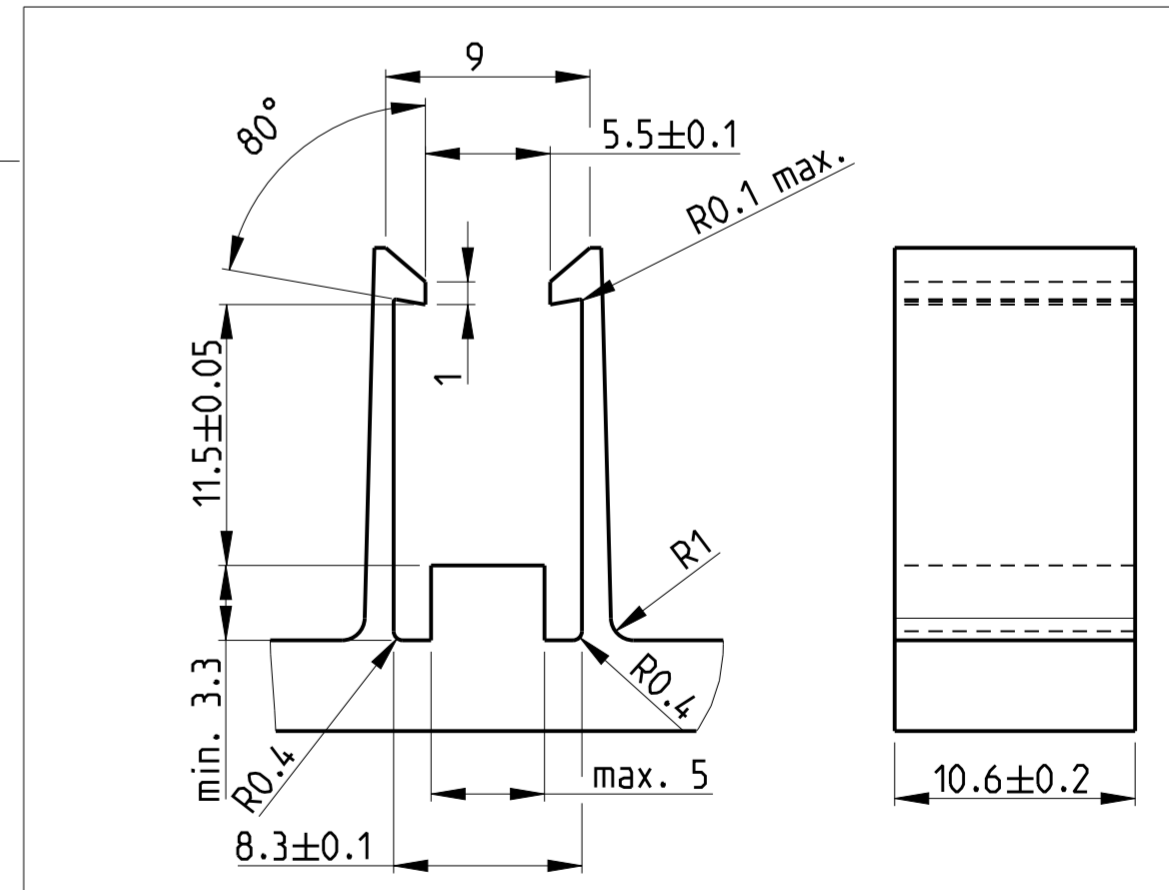
- NOTE
- 1 CAVITY DESIGNED FOR TAB CONTACT NO. 284798-1 0.5 mm² - 0.75 mm² (20 - 18 AWG) OR 293322-1 FOR WIRE RANGE 0.3 - 0.8 mm² (22 - 18 AWG) OR 1955441-1 FOR WIRE RANGE 0.2 - 0.5 mm² (24 - 20 AWG).
 - 2 RECOMMENDED MATING CONNECTOR FAMILIES INCLUDE DUO-PLUG MK II AND DUO-PLUG POWER SEE TABLE FOR RIB REMOVAL FOR MATING CONNECTOR
 - 3 IEC 60695-2-11 / IEC 60335-1 GLOW WIRE TEST 750 °C WITHOUT FLAME
 - 4 KEYING PATTERN: SEE TABLE
 - 5 PRELIMINARY PART - NOT YET RELEASED FOR PRODUCTION



Keying Scheme



/	a. b. c. d	NATURE, SIMILAR RAL 9010 Natur, aehnlich RAL 9010	PA 6 UL94 V-2	3	0-1718044-6
c	a. b. d	NATURE, SIMILAR RAL 9010 Natur, aehnlich RAL 9010	PA 6 UL94 V-2	3	0-1718044-5
a	b.c.d	NATURE, SIMILAR RAL 9010 Natur, aehnlich RAL 9010	PA 6 UL94 V-2	3	0-1718044-4
a.c	b.d	NATURE, SIMILAR RAL 9010 Natur, aehnlich RAL 9010	PA 6 UL94 V-2	3	0-1718044-3
c.d	a.b	NATURE, SIMILAR RAL 9010 Natur, aehnlich RAL 9010	PA 6 UL94 V-2	3	0-1718044-2
c.d	a.b	NATURE Natur	PA 6.6 UL94 V-2		0-1718044-1
MATING CONNECTOR	2	KEYING	4	COLOUR/Farbe	MATERIAL
					PN/Bestell-Nr.



THE LOCKING HOOK PART IS NOT INCLUDED. INFORMATION FOR REFERENCE ONLY.
 Die Rasthaken sind nicht Auftragsbestandteil. Die Angaben dienen lediglich als Beispiel.

<small>THIS DRAWING IS A CONTROLLED DOCUMENT FOR TYCO ELECTRONICS CORPORATION IT IS SUBJECT TO CHANGE AND THE CONTROLLING ENGINEERING ORGANIZATION SHOULD BE CONTACTED FOR THE LATEST REVISION.</small>		DWN GERLACH 29SEP2003 CHK SCHNAUBELT 29SEP2003 APVD KLENNER 29SEP2003	Tyco Electronics Tyco Electronics AMP GmbH D - 64625 Bensheim
DIMENSIONS: mm		PRODUCT SPEC APPLICATION SPEC	NAME 2 POSN. TABHEADER HOUSING FOR DUOPLUG CONNECTOR
TOLERANCES UNLESS OTHERWISE SPECIFIED: 0 PLC ± 1 PLC ±0.1 2 PLC ±0.05 3 PLC ± 4 PLC ± ANGLES ± FINISH		WEIGHT -	SIZE A2 CAGE CODE 00779 DRAWING NO. C-1718044 RESTRICTED TO
MATERIAL SEE TABLE		CUSTOMER DRAWING	SCALE 3:1 SHEET 1 OF 1 REV B9

X-ON Electronics

Largest Supplier of Electrical and Electronic Components

Click to view similar products for [TE Connectivity](#) manufacturer:

Other Similar products are found below :

[D38999/24FJ4AN](#) [570416-000](#) [CLTEQ-M81CE-SSRELAY-4-20V](#) [4-1195131-0](#) [650069-000](#) [SMD100-2](#) [358838-000](#) [CB-1022B-78](#)
[RM707012](#) [RP410012](#) [MMS42](#) [1-640426-8](#) [2EDL4CM](#) [DTS20W19-11PD-3028-LC](#) [RM202615](#) [NC6-P104-06](#) [MSPS103B](#) [DTS26F21-](#)
[41HE-LC](#) [DTS26F21-41AE](#) [DTS26F21-41PE-LC](#) [DTS26F21-11SE-3028-LC](#) [30DCB6](#) [1932144-1](#) [293545-4](#) [LVR125S](#) [MS27466T25F4PB](#)
[CKB-38-78010](#) [TR04AI-TINELLOCKRING](#) [1206SFF150F/63-2](#) [D38999/20JB35HA](#) [TE1500A2R2J](#) [D38999/20WC8BB](#) [DTS24F19-11SC-](#)
[3028-LC](#) [D38999/24WG11HA](#) [D38999/24WG11HN](#) [MS27467T21F11H](#) [DJT16E21-11HA](#) [MS27467T21F35J](#) [MS27467T21F11J](#)
[MS27467T21F16H-LC](#) [MS27467T21F35H](#) [MS27467T21F41H-LC](#) [1206SFH150F/24-2](#) [RP330024](#) [DJT16E21-11PA-LC](#) [DJT16E21-11HA-](#)
[LC](#) [DJT16E21-11AA](#) [MS27467T21B11JA](#) [DJT16E21-11JA](#) [MS27467T21B11JA-LC](#)