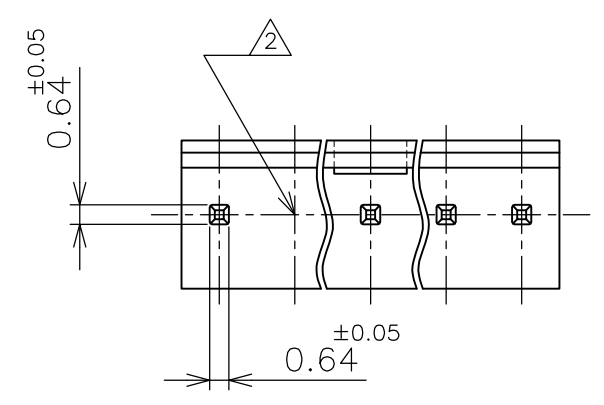
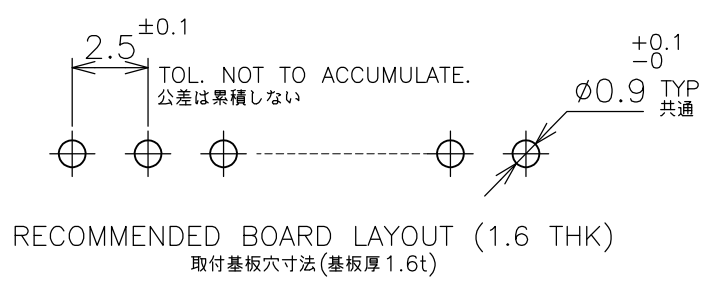
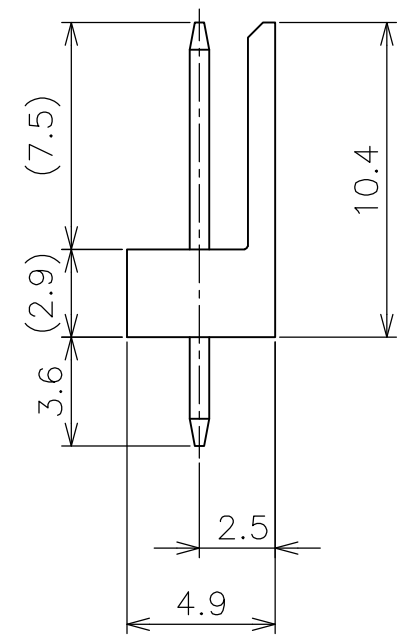
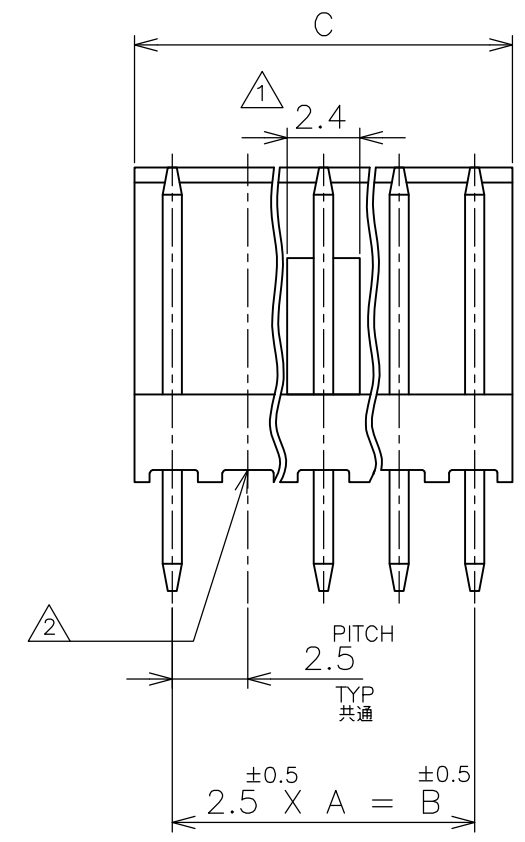


THIS DRAWING IS UNPUBLISHED. RELEASED FOR PUBLICATION MAY, 1978.
 © COPYRIGHT 1978 BY TYCO ELECTRONICS CORPORATION. ALL RIGHTS RESERVED.

LOC	DIST	REVISIONS 変更			
P	LTR	DESCRIPTION	DATE	DWN	APVD
J	—	E	REVISED FJBO-0245-03	31MAR03	H.T I.E
		E1	REVISED PER ECO-09-024717	04NOV09	KK AEG



- ① LOCKING HOLE IS PLACED ON THE CENTER OF POST HEADER.
- ② POST MUST NOT BE INSERTED ON THE SECOND HOLE FROM LEFT SIDE OF HSG AS SHOWN.
- ③ OBSOLETE PARTS: OBSOLETE CIS STREAMLINING PER D.RENAUD/D.SINISI
- ① ロッキング凹部位置は長手方向の中央。
- ② 本図にて、ハウジングの左端から二番目の穴へはポストを圧入しないこと。



OBSOLETE ③		30.0	27.5	11	11	— 171886 — 2
		25.0	22.5	9	9	— 0
OBSOLETE ③	NATURAL 自然色	22.5	20.0	8	8	— 9
		20.0	17.5	7	7	— 8
		17.5	15.0	6	6	— 7
		15.0	12.5	5	5	— 6
		12.5	10.0	4	4	— 5
		10.0	7.5	3	3	171886-4
HOUSING COLOR ハウジング色		C ±0.2	B ±0.5	A	NO OF POS 極数	PART NUMBER 型番

THIS DRAWING IS A CONTROLLED DOCUMENT.

DWN T.DOI	30MAY78	Tyco Electronics Tyco Electronics AMP K.K. Kawasaki, Japan
CHK H.TAGUCHI	30MAY78	
DIMENSIONS: 単位: 耗 MM	TOLERANCES UNLESS OTHERWISE SPECIFIED: 一般公差	NAME 名称
	0 PLC ± 0.3	PRODUCT SPEC 製品規格
	1 PLC ± 0.3	APPLICATION SPEC 取付適用規格
MATERIAL 材料 HSG : 66NYLON UL94V-0 POST: BRASS	FINISH 仕上 POST: TIN-PLATE	SIZE A3
		CAGE CODE 00779
		DRAWING NO 番号 G-171886
		RESTRICTED TO —
CUSTOMER DRAWING		SCALE 尺度 4:1
		SHEET 1 OF 1
		REV E1

X-ON Electronics

Largest Supplier of Electrical and Electronic Components

Click to view similar products for [Headers & Wire Housings](#) category:

Click to view products by [TE Connectivity](#) manufacturer:

Other Similar products are found below :

[892-18-020-10-001101](#) [58102-G61-06LF](#) [582553-1](#) [0009485154](#) [009176003701906](#) [0050291907](#) [LY20-4P-DT1-P1E-BR](#) [02.125.8002.8](#)
[609-3404](#) [61062-3](#) [61082-181009](#) [622-3653LF](#) [63453-116](#) [636-1030](#) [636-1427](#) [636-3427](#) [636-4007](#) [641938-9](#) [641991-4](#) [644827-2](#) [65817-](#)
[010LF](#) [65817-015LF](#) [65863-015LF](#) [66207-023LF](#) [67095-007LF](#) [67601157](#) [68645-018](#) [68648-049](#) [70.362.1628.0](#) [70-4210](#) [70-4226B](#) [70-](#)
[4853B](#) [707-5020](#) [707-5028](#) [71.350.2428.0](#) [71918-208LF](#) [71961-016LF](#) [733-134](#) [733-162](#) [754199-000](#) [760-3052](#) [787-8014-00](#) [79531-3000](#)
[FCN-360C032-B](#) [FCN-367T-T012/H](#) [FCN-723D010/2](#) [80.063.4001.1](#) [800-90-001-10-001000](#) [800-90-010-10-002000](#) [801-43-002-10-013000](#)