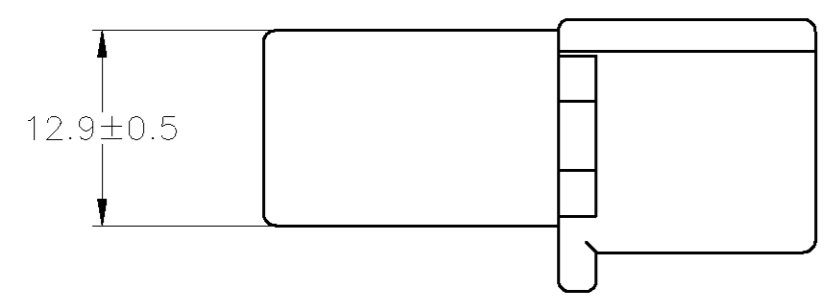
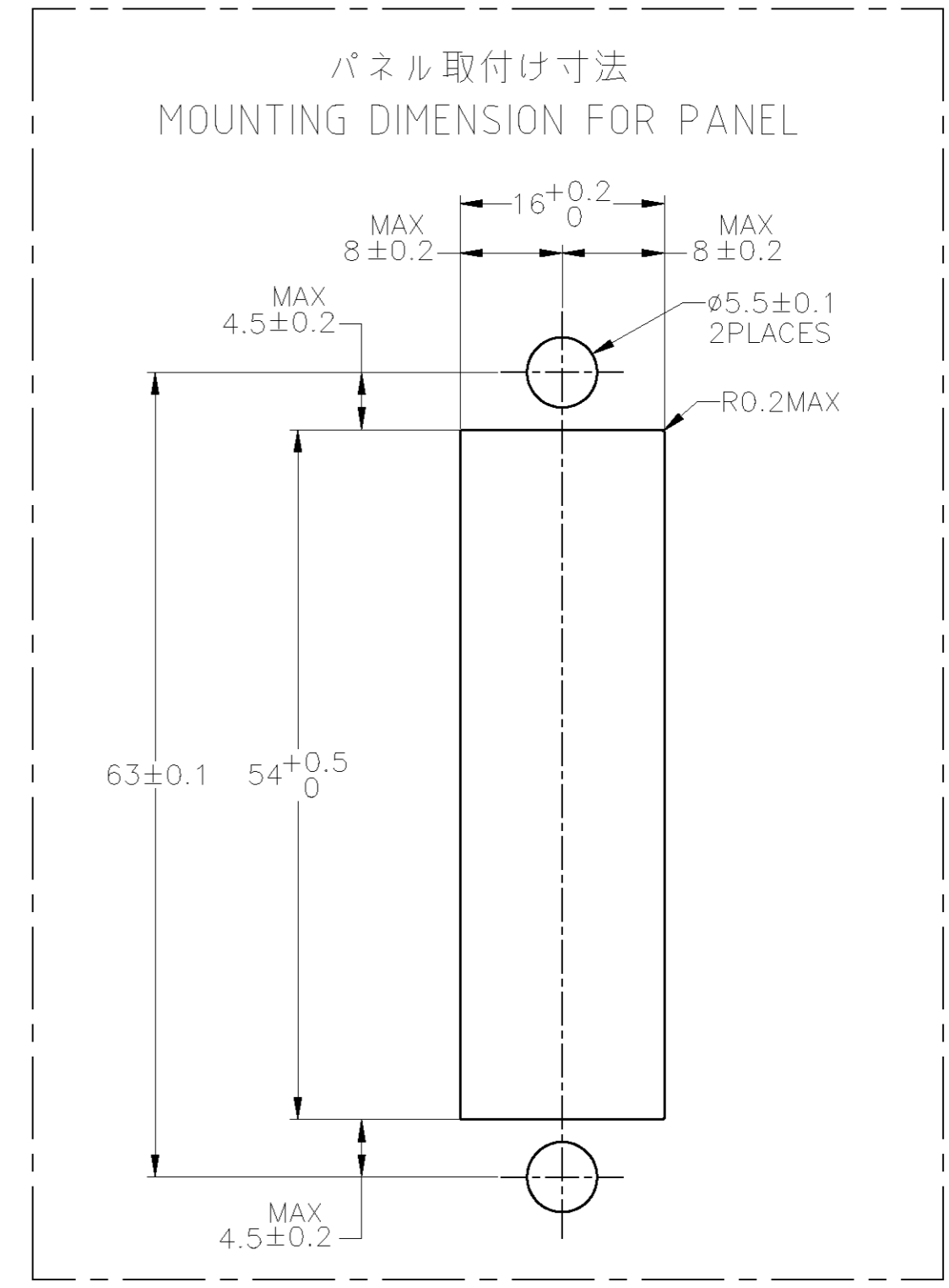
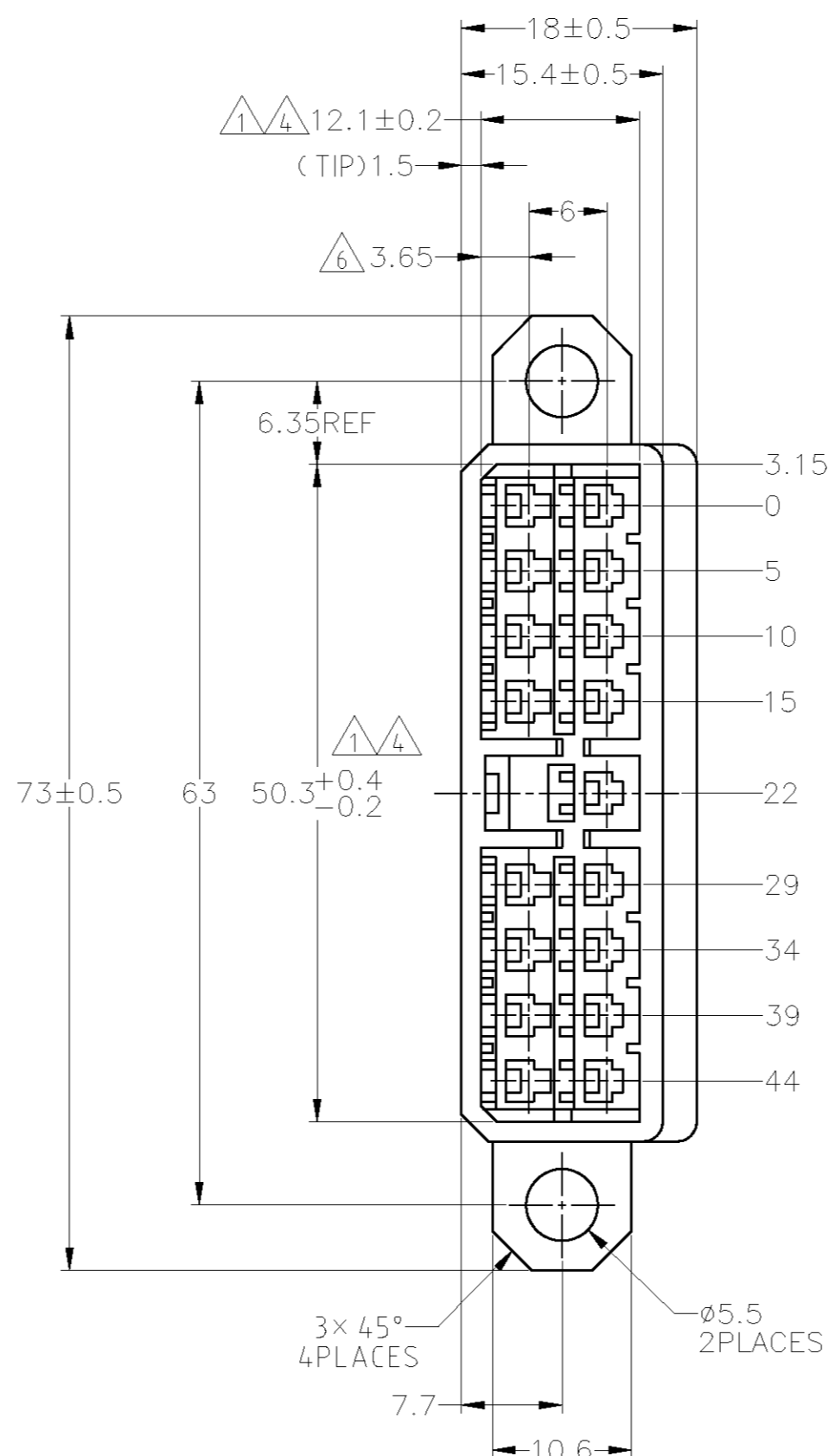
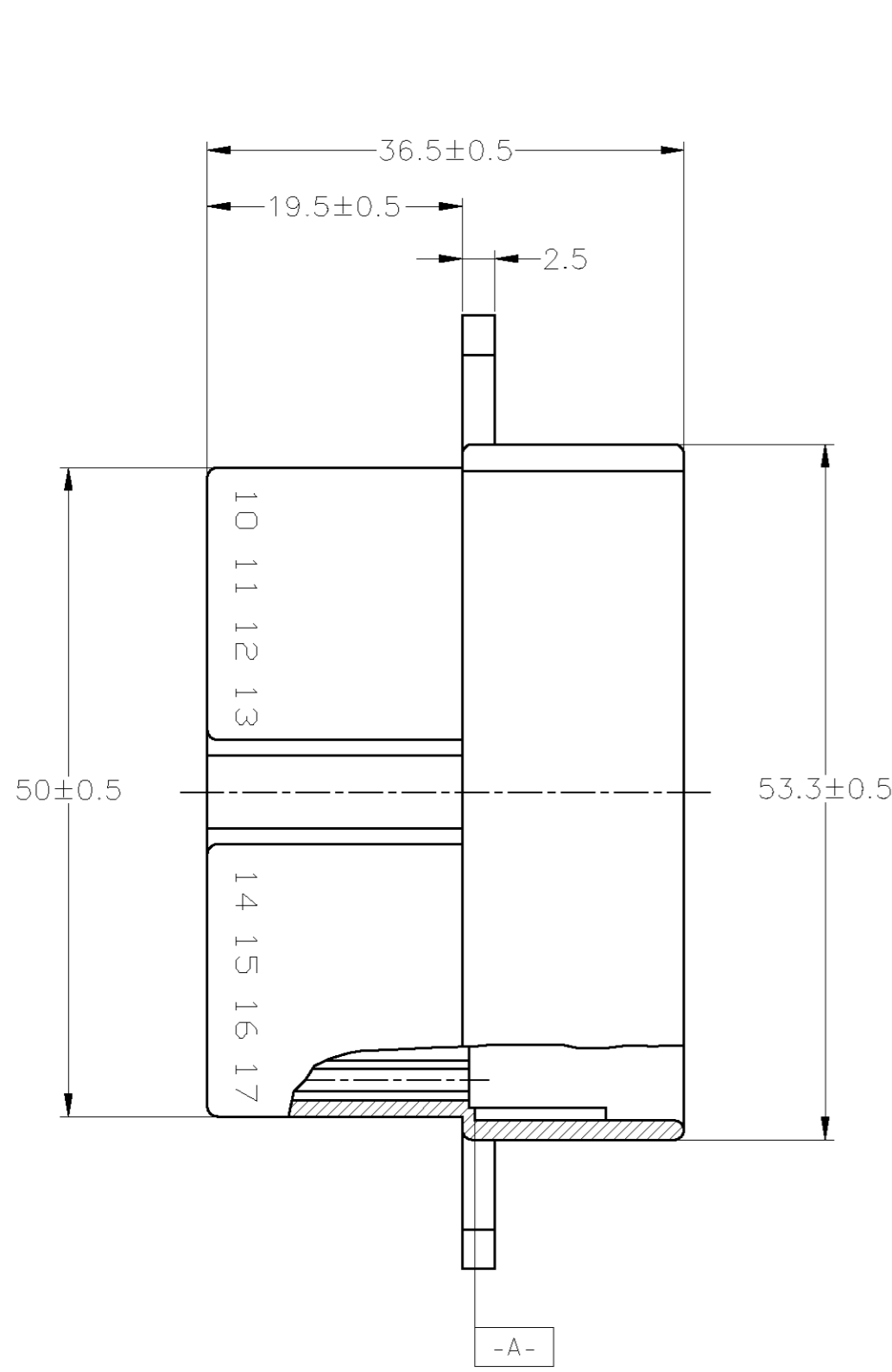


THIS DRAWING IS UNPUBLISHED. RELEASED FOR PUBLICATION
 © COPYRIGHT BY TYCO ELECTRONICS CORPORATION. ALL INTERNATIONAL RIGHTS RESERVED.

LOC	DIST	REVISIONS			
P	LTR	DESCRIPTION	DATE	DWN	APVD
J	-	D1 REVISED	ECR-10-004036	25FEB10	TS KB



- ① IN COUPLING WITH THE PLUG HOUSING MATING SATISFIES FUNCTION.
- 2. APPLIED CONTACT PN 170221, 170222
- 3. PRODUCT SPECIFICATION NUMBER: 108-5099
- ④ TO BE MEASURED WITHIN 2mm FROM [-A-]
- 5. IN COUPLING WITH THE PLUG HOUSING MATING FORCE 29.4N (3kg) MAX. WITHOUT RECEPTACLE CONTACT.
- ⑥ CENTERLINE OF CONTACT

- ① 相手ハウジングと所定の機能を満たして嵌合出来ること。
- 2. 使用コンタクト型番: 170221 及び 170222, その他
- 3. 製品規格番号: 108-5099
- ④ [-A-] 面より2mmの範囲で測定。
- 5. 相手ハウジングとの嵌合力は29.4N (3kg) 以下。但し、コンタクトは含まない。
- ⑥ コンタクトセンター迄の距離

OBSOLETE	GRAY	171828-6
OBSOLETE	BLUE	171828-5
	GREEN	171828-4
OBSOLETE	BROWN	171828-3
	BLACK	171828-2
	NATURAL	171828-1
	COLOR	PART NUMBER

GENERAL TOLERANCE

10 ≥	: ±0.2
30 ≥ > 10	: ±0.25
100 ≥ > 30	: ±0.3
ANGLE	: ±3°

THIS DRAWING IS A CONTROLLED DOCUMENT.

DWN	T.SHINOHARA	30JUL09	Tyco Electronics Corporation Kawasaki, Japan
CHK	K.BETSUI	30JUL09	
APVD	K.BETSUI	30JUL09	
PRODUCT SPEC	SEE NOTE 3		
APPLICATION SPEC	-		MULTI-INTER LOCK CONNECTOR 17 POSITION CAP HOUSING WITH FLANGE
MATERIAL	66 NYLON (UL94V-2)	FINISH	-
WEIGHT	-	SCALE	2:1
CUSTOMER DRAWING	SIZE	A2	CAGE CODE 00779 DRAWING NO. C=171828 SHEET 1 of 1 REV D1

X-ON Electronics

Largest Supplier of Electrical and Electronic Components

Click to view similar products for [Headers & Wire Housings](#) category:

Click to view products by [TE Connectivity](#) manufacturer:

Other Similar products are found below :

[892-18-020-10-001101](#) [58102-G61-06LF](#) [582553-1](#) [0009485154](#) [009176003701906](#) [0050291907](#) [LY20-4P-DT1-P1E-BR](#) [02.125.8002.8](#)
[609-3404](#) [61062-3](#) [61082-181009](#) [622-3653LF](#) [63453-116](#) [636-1030](#) [636-1427](#) [636-3427](#) [636-4007](#) [641938-9](#) [641991-4](#) [644827-2](#) [65817-](#)
[010LF](#) [65817-015LF](#) [65863-015LF](#) [66207-023LF](#) [67095-007LF](#) [67601157](#) [68645-018](#) [68648-049](#) [70.362.1628.0](#) [70-4210](#) [70-4226B](#) [70-](#)
[4853B](#) [707-5020](#) [707-5028](#) [71.350.2428.0](#) [71918-208LF](#) [71961-016LF](#) [733-134](#) [733-162](#) [754199-000](#) [760-3052](#) [787-8014-00](#) [79531-3000](#)
[FCN-360C032-B](#) [FCN-367T-T012/H](#) [FCN-723D010/2](#) [80.063.4001.1](#) [800-90-001-10-001000](#) [800-90-010-10-002000](#) [801-43-002-10-013000](#)