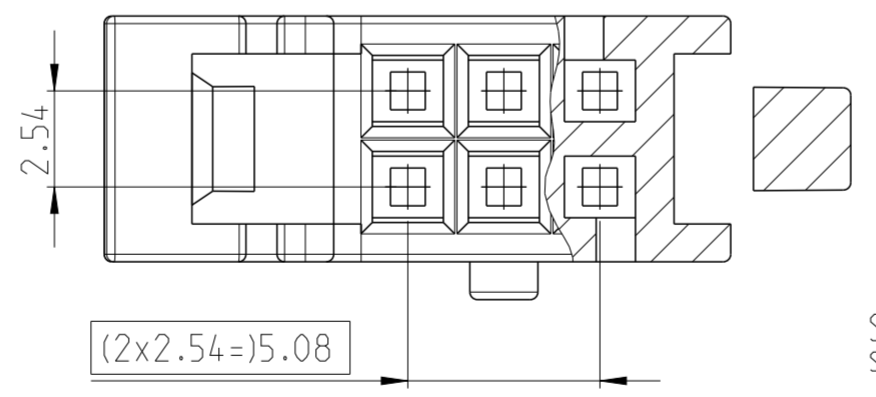
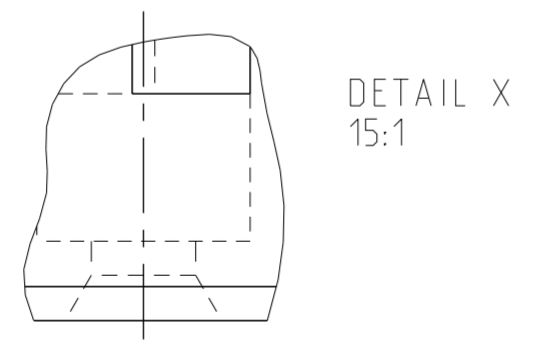
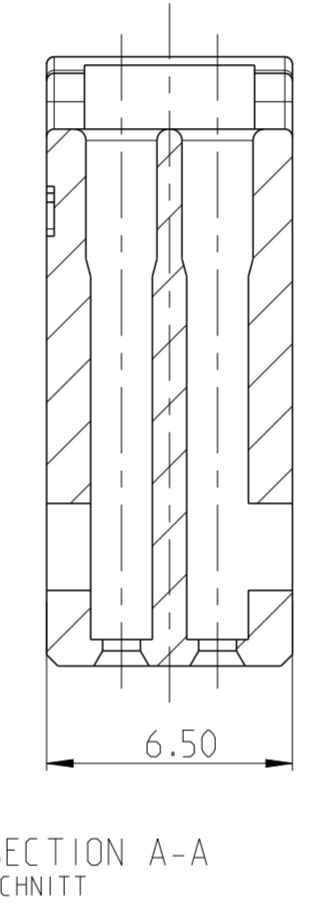
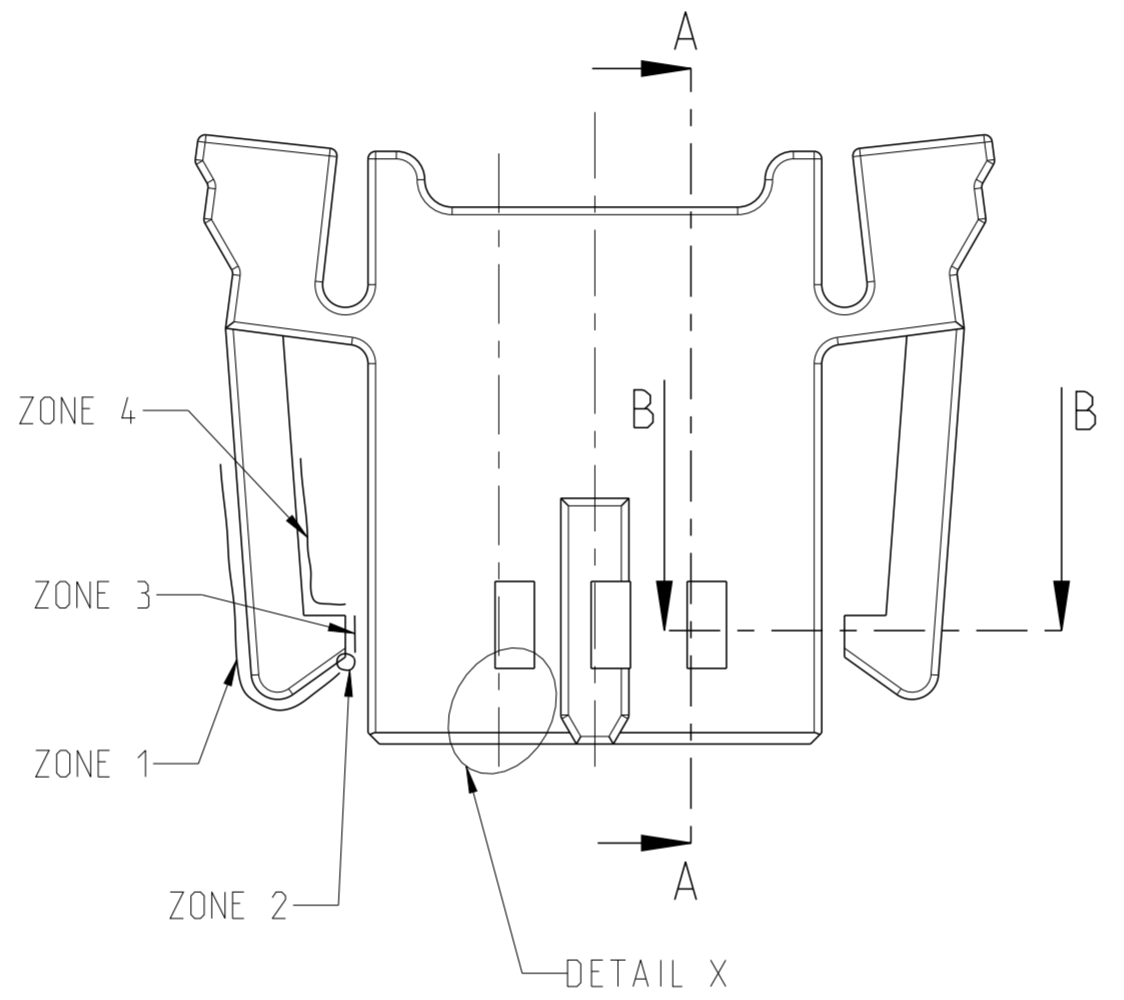
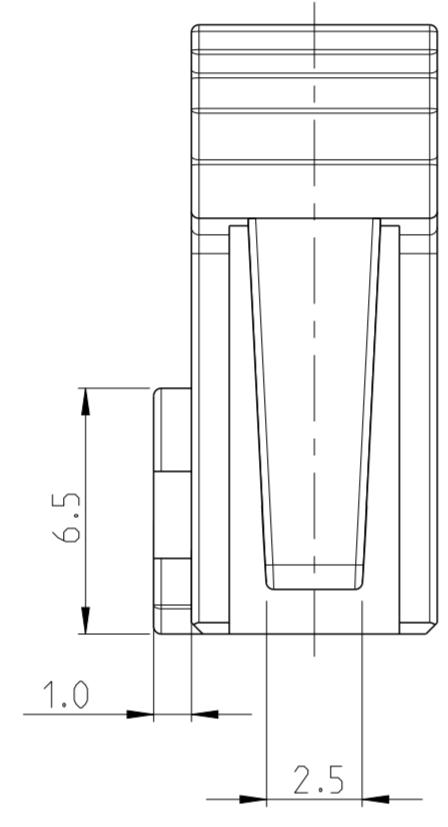
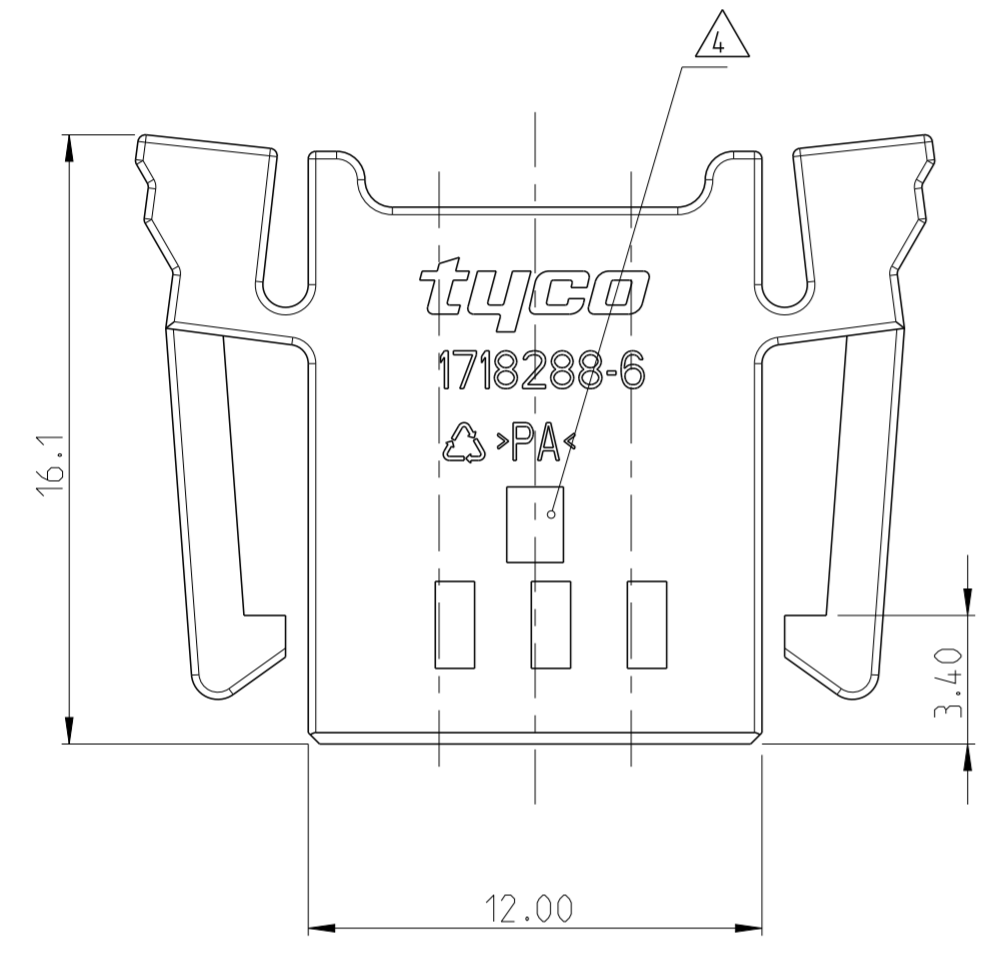
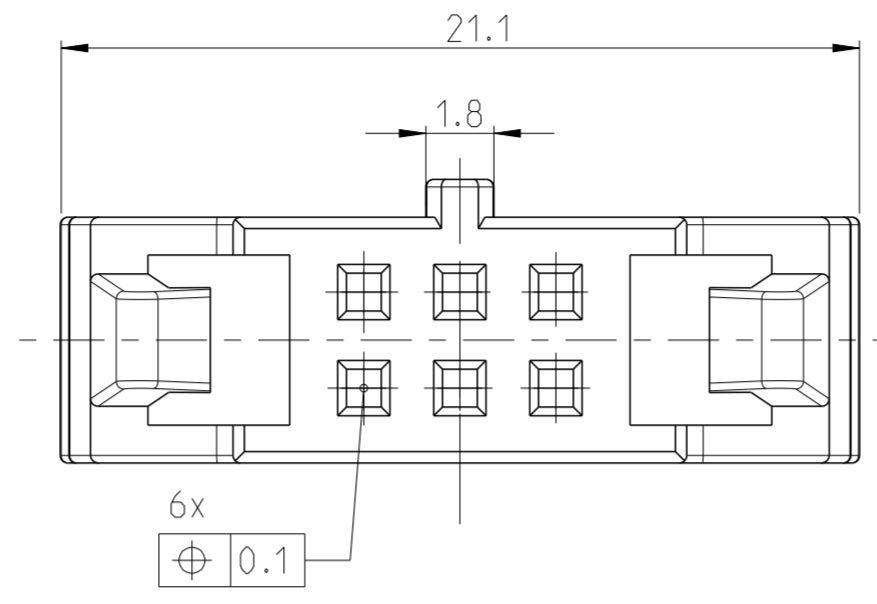
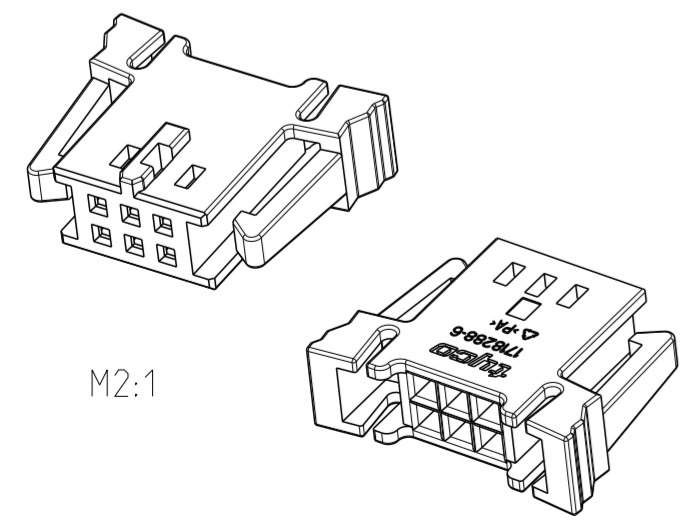


REVISIONS				
P	LTR	DESCRIPTION	DATE	APVD
B		NEW DRAWING - CD	14APR2014	TJ JK
B1		NOTE 6 ON BURR/FLASH LIMIT ADDED	11MAR2015	KJK PS



- REMARKS:
- 1 MATERIAL: PA, COLOUR BLACK
  - 2 ALL SYMBOLS 1.5 HIGH
  - 3 HOUSING FOR CONTACTS ACC. TO TE SPEC. 108-25021 AND 114-25003
  - 4 CAVITY MARKING
  - 5 PACKAGING: 250 LOOSE PARTS PIECE IN CARDBOARD-BOX WITH PAPER CUSHION ON THE UPPER AND LOWER SIDE
  - 6 BURRS/FLASHES ALLOWED ON THE LATCH SURFACE AS FOLLOWS
    - ZONE 1 - MAX 0.25mm
    - ZONE 2 - MAX 1.75mm
    - ZONE 3 - MAX 1.0mm
    - ZONE 4 - MAX 0.5mm

-6 AS SHOWN



THIS DRAWING IS A CONTROLLED DOCUMENT.		DWN MOHAMMED THAJUDEEN 14 APR 2014	TE Connectivity	
DIMENSIONS: mm		CHK PRASHANTH S 14 APR 2014		
TOLERANCES UNLESS OTHERWISE SPECIFIED:		APVD JAYANTH KUMAR 14 APR 2014	NAME 6 POS. AMPMODU IV HOUSING	
0 PLC ±0.15		PRODUCT SPEC -	SIZE A2	CAGE CODE -
1 PLC ±0.15		APPLICATION SPEC -	DRAWING NO C-1718288	RESTRICTED TO -
2 PLC ±0.1		WEIGHT -	SCALE 5:1	SHEET 1 OF 1
3 PLC ±		Customer Drawing		REV B1
4 PLC ±				
ANGLES ±°				
FINISH				

## X-ON Electronics

Largest Supplier of Electrical and Electronic Components

*Click to view similar products for [Headers & Wire Housings](#) category:*

*Click to view products by [TE Connectivity](#) manufacturer:*

Other Similar products are found below :

[95000-104TRLF](#) [10135584-644402LF](#) [DF62W-EP2022PCA](#) [95000-106TRLF](#) [DF62W-2022SCA](#) [DF62W-EP2022PC](#) [2203348](#) [DF62W-2022SC](#) [1084018](#) [1029039](#) [1084017](#) [802-10-012-10-002000](#) [1112640](#) [1112639](#) [891-007-9SS-BST1T](#) [000-34000](#) [0008550134](#) [0009482033](#) [0009507031](#) [57102-F02-18ULF](#) [57102-S06-03LF](#) [57202-S52-04LF](#) [PCN6-15S-2.5E](#) [0039019024](#) [58102-G61-06LF](#) [582553-1](#) [0009485154](#) [0009508121](#) [0022285053](#) [0050291907](#) [018731A](#) [LY20-4P-DT1-P1E-BR](#) [02.125.8002.8](#) [60101931](#) [60598-1 \(Cut Strip\)](#) [M1625-3R/100](#) [61062-3](#) [61082-181009](#) [CSU011177004](#) [636-1427](#) [638009-1](#) [641938-9](#) [641991-4](#) [644168-1](#) [644827-2](#) [647662-1](#) [65039-019ELF](#) [65692-001LF](#) [65781-018](#) [65781-047](#)