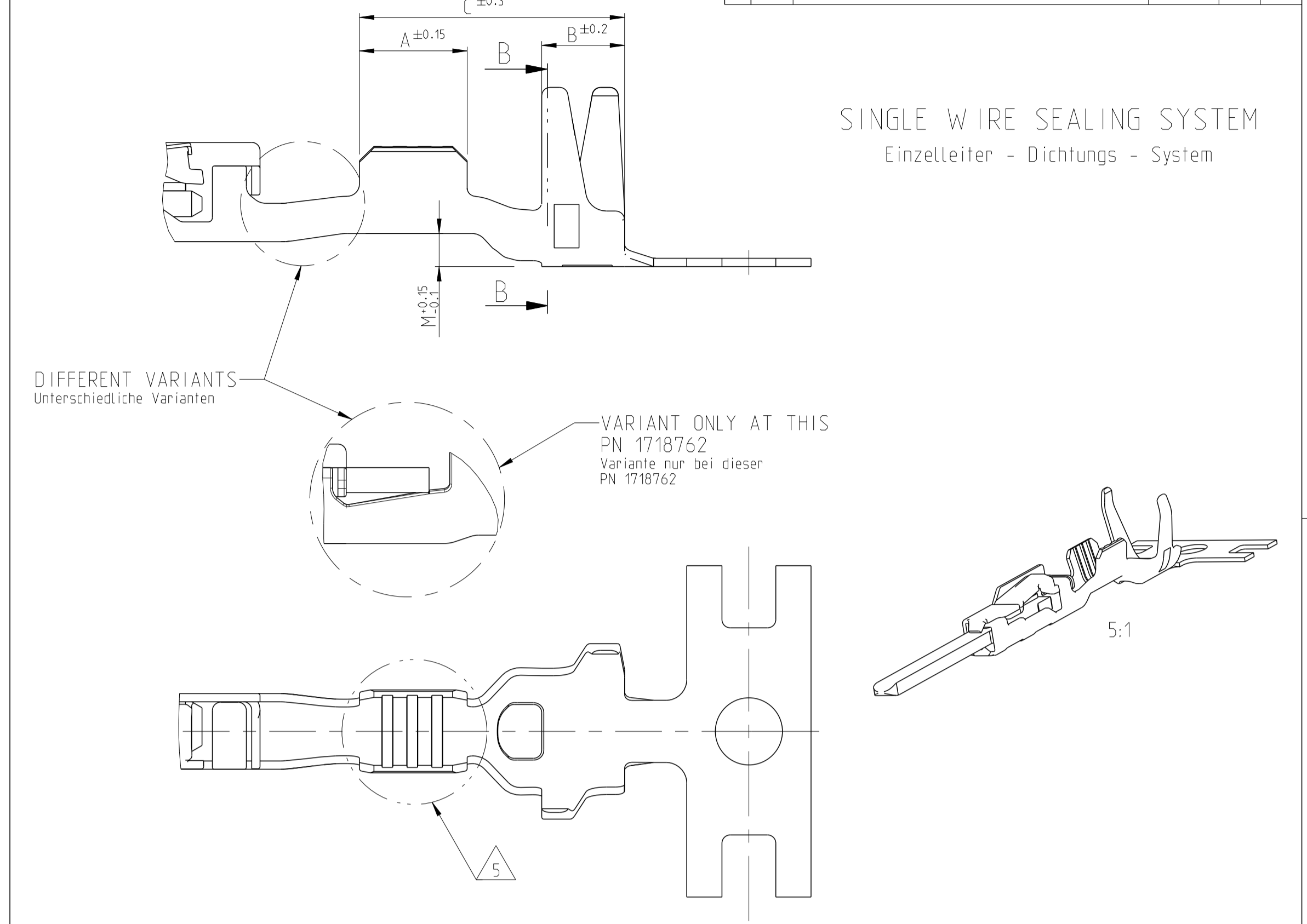
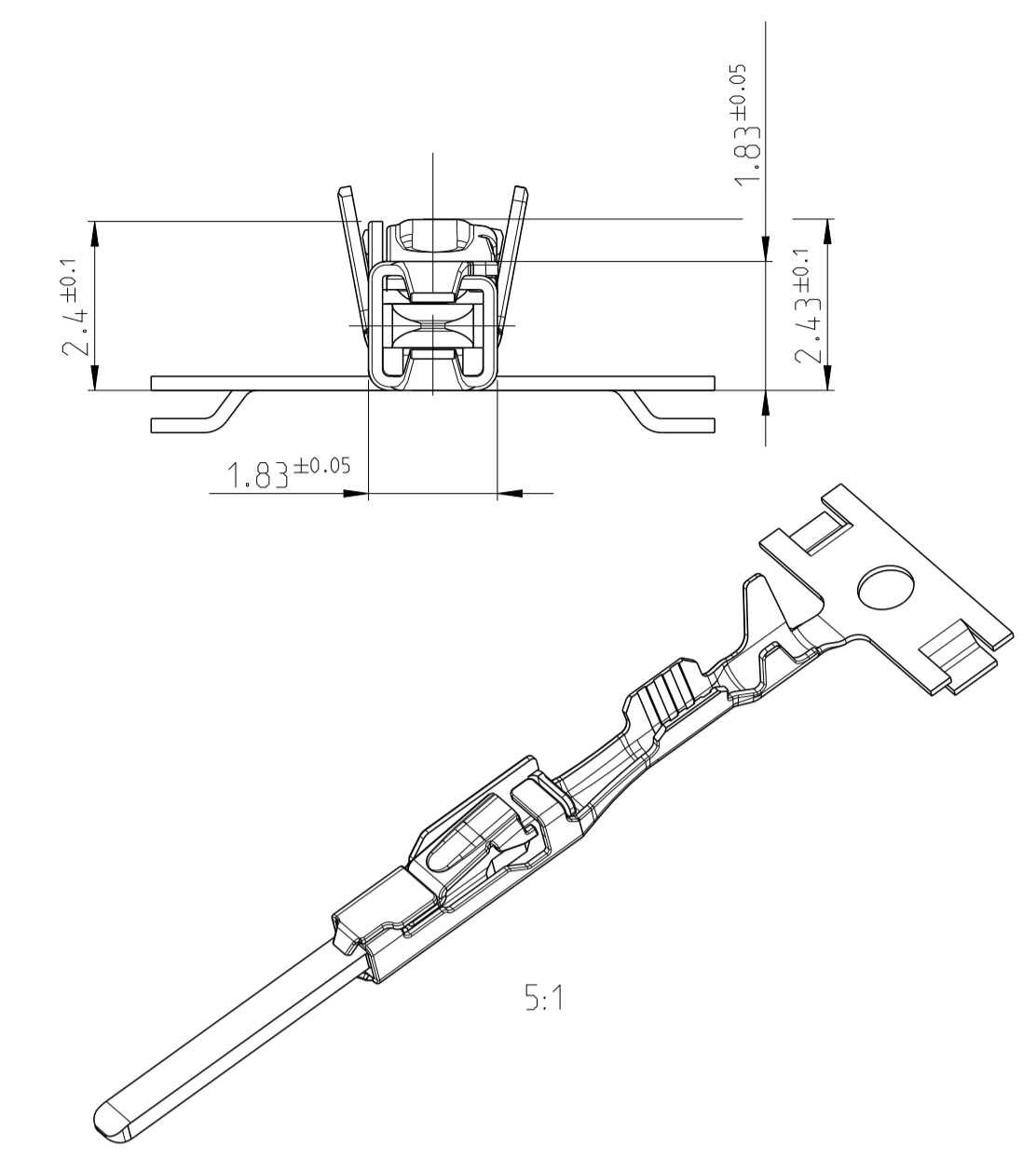
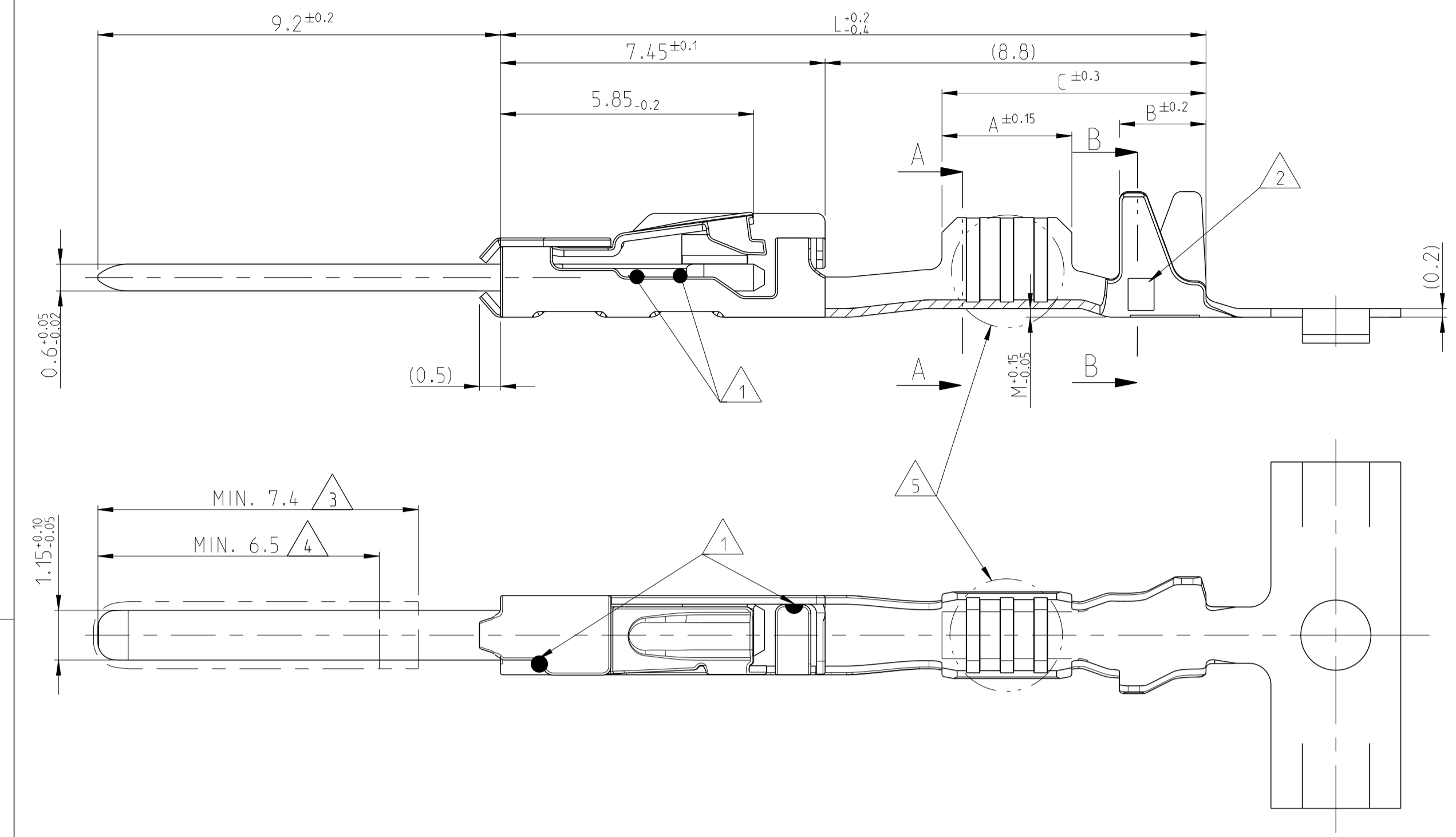


THE DRAWING SHOWS THE 2-DIMENSIONAL REFERENCE COMPONENT CONDITION OF THE ASSEMBLY TO IDENTIFY AND SPECIFY THE NECESSARY DIMENSIONS ONLY. THE DELIVERED PARTS MAY DEVIATE FROM THE DRAWING REGARDING THE ORIENTATION AND POSITION OF EACH COMPONENT (e.g. SLACK CABLE), SO FAR THE FUNCTIONALITY IS NOT CONCERNED.

DIE ZEICHNUNG ZEIGT DEN 2-DIMENSIONAL IDEALZUSTAND DES ZUSAMMENBAUTEILS BEZÜGLICH DER KOMPONENTEN ZUR IDENTIFIKATION UND SPEZIFIKATION DER NOTWENDIGEN DIMENSIONEN. HINSICHTLICH DER ORIENTIERUNG UND DER LAGE DER KOMPONENTEN (Z.B. BIEGESCHLAPTES KABEL) KÖNNEN DIE DELIEFERTEN TEILE VON DER ZEICHNUNG ABWEICHEN, SOFERN DIE FUNKTIONALITÄT NICHT BEEINTRÄCHTIGT IST.

| REVISONS    |     | DATE  | DWN       | APVD      |
|-------------|-----|---|-----------|-----------|
| AI          | -   |   |           |           |
| PROJECT No. | C9  | ECR-15-012070   | 22SEP2015 | JB,HH BK  |
| EGAUT 02021 | C10 | DIM 'L' FOR 2141868-1, -2 and -3 IS CHANGED TO 16.3mm | 06OCT2017 | GH CASS   |
|             | C11 | E-19-013005   | 20AUG2019 | FRAN CASS |
|             | C12 | Correction of Design 3                                | 05JUN2020 | FRAN CASS |



| INSULATION CRIMP FOR Isolationssystem  | ORDER NO. Bestell-Nr. STRIP Bandware | REV         | WIRE RANGE Drahtgrößenbereich (mm²) | INSULATION-Ø Isolations-Ø (mm) | BODY Kontaktkörper | TAB Flachstecker    | BODY Kontaktkörper  | SPRING Kontaktfeder | DESIGN WIRE-CRIMP Ausführung Draht-Crimp | LENGTH Laenge                               | WIRE CRIMP Drahtcrimp                                   | INSULATION CRIMP Isolations Crimp                       | DIMENSION Mass 'L' (mm) |            |
|--|--------------------------------------|-------------|-------------------------------------|--------------------------------|--------------------|---------------------|---------------------|---------------------|--|---|---|---|-------------------------|------------|
|  |                                      |             |                                     |                                |                    |                     |                     |                     |  |   |   |   |                         |            |
| SINGLE WIRE SEALING SYSTEM / Einzeldichtungssystem<br>SEE APPLICATION SPECIFICATION / siehe Verarbeitungsspezifikation | 1718762-3                            | B           | 1.0 - 1.5                           | 1.9 - 2.4                      | CuNiSi             | CuSn0.15/0.2        | TIN PLATED verzinkt | 4                   | 2  | A = 3.0<br>B = 2.0<br>C = 6.8               | E = 2.6<br>G = 2.9<br>D <sub>or</sub> = 1.35            | H = 4.4<br>K = 4.3<br>D <sub>150</sub> = 2.9<br>M = 0.8 | 16.8                    |            |
|  | 1718762-2                            | C           |                                     |                                |                    |                     | 3                   |                     |  |   |   |   |                         |            |
|  | 1718762-1                            | B           |                                     |                                |                    |                     | TIN PLATED verzinkt |                     |  |   |   |   |                         |            |
|  | 1718760-3                            | A           | 0.5 - 0.75                          | 1.4 - 1.9                      | CuNiSi             | CuSn0.15/0.2        | TIN PLATED verzinkt | 4                   | 2  | A = 2.6<br>B = 2.0<br>C = 6.4               | E = 2.0<br>G = 2.1<br>D <sub>or</sub> = 1.1             | H = 4.2<br>K = 4.3<br>D <sub>150</sub> = 2.7<br>M = 0.8 | 16.3                    |            |
|  | 1718760-2                            | B           |                                     |                                |                    |                     | 3                   |                     |  |   |   |   |                         |            |
|  | 1718760-1                            | A           |                                     |                                |                    |                     | TIN PLATED verzinkt |                     |  |   |   |   |                         |            |
|  | 1718758-3                            | A           | 0.25 - 0.35                         | 1.1 - 1.75                     | CuNiSi             | CuSn0.15/0.2        | TIN PLATED verzinkt | 4                   | 2  | A = 2.6<br>B = 2.0<br>C = 6.4               | E = 1.8<br>G = 1.8<br>D <sub>or</sub> = 0.8             | H = 4.2<br>K = 4.3<br>D <sub>150</sub> = 2.6<br>M = 0.8 | 16.3                    |            |
|  | 1718758-2                            | B           |                                     |                                |                    |                     | 3                   |                     |  |   |   |   |                         |            |
|  | 1718758-1                            | A           |                                     |                                |                    |                     | TIN PLATED verzinkt |                     |  |   |   |   |                         |            |
|  | 2141868-3                            | A           | 0.13 - 0.22                         | 2.6                            | CuNiSi             | CuSn0.15/0.2        | TIN PLATED verzinkt | 4                   | 1  | A = 2.5<br>B = 1.9<br>C = 6.2               | E = 1.5<br>G = 1.4                                      | H = 4.0<br>K = 4.1<br>D <sub>150</sub> = 2.6<br>M = 0.6 | 16.3                    |            |
|  | 2141868-2                            | A           |                                     |                                |                    |                     | 3                   |                     |  |   |   |   |                         |            |
|  | 2141868-1                            | A           |                                     |                                |                    |                     | TIN PLATED verzinkt |                     |  |   |   |   |                         |            |
| FLR CABLE / Leitung<br>SEE APPLICATION SPECIFICATION / siehe Verarbeitungsspezifikation                                | 1418762-3                            | A           | 1.0 - 1.5                           | 1.9 - 2.4                      | CuNiSi             | CuSn0.15/0.2        | TIN PLATED verzinkt | 4                   | 3  | A = 3.0<br>B = 2.0<br>C = 6.1               | E = 2.6<br>G = 2.9<br>D <sub>or</sub> = 1.35            | H = 3.7<br>K = 3.9<br>D <sub>150</sub> = 2.1<br>M = 0.2 | 16.3                    |            |
|  | 1418762-2                            | B           |                                     |                                |                    |                     | 3                   |                     |  |   |   |   |                         |            |
|  | 1418762-1                            | A           |                                     |                                |                    |                     | TIN PLATED verzinkt |                     |  |   |   |   |                         |            |
|  | 5-1418760-3                          | A           | 0.5 - 0.75                          | 1.4 - 1.9                      | CuNiSi             | CuSn0.15/0.2        | TIN PLATED verzinkt | 4                   | 2  | A = 3.0<br>B = 2.0<br>C = 6.1               | E = 2.0<br>G = 2.1<br>D <sub>or</sub> = 1.1             | H = 2.7<br>K = 2.9<br>D <sub>150</sub> = 1.6<br>M = 0.2 | 16.3                    |            |
|  | 5-1418760-2                          | A           |                                     |                                |                    |                     | 3                   |                     |  |   |   |   |                         |            |
|  | 5-1418760-1                          | A           |                                     |                                |                    |                     | TIN PLATED verzinkt |                     |  |   |   |   |                         |            |
|  | 1418760-3                            | B           | 0.5 - 0.75                          | 1.4 - 1.9                      | CuNiSi             | CuSn0.15/0.2        | TIN PLATED verzinkt | 4                   | 3  | A = 3.0<br>B = 2.0<br>C = 6.1               | E = 2.0<br>G = 2.1<br>D <sub>or</sub> = 1.1             | H = 2.7<br>K = 2.9<br>D <sub>150</sub> = 1.6<br>M = 0.2 | 16.3                    | Superseded |
|  | 1418760-2                            | C           |                                     |                                |                    |                     | 3                   |                     |  |   |   |   |                         |            |
|  | 1418760-1                            | B           |                                     |                                |                    |                     | TIN PLATED verzinkt |                     |  |   |   |   |                         |            |
|  | 5-1418758-3                          | A           | 0.25 - 0.35                         | 1.1 - 1.75                     | CuNiSi             | CuSn0.15/0.2        | TIN PLATED verzinkt | 4                   | 2  | A = 2.6<br>B = 2.0<br>C = 5.7               | E = 1.8<br>G = 1.8<br>D <sub>or</sub> = 0.8             | H = 2.6<br>K = 2.6<br>D <sub>150</sub> = 1.4<br>M = 0.2 | 16.3                    |            |
|  | 5-1418758-2                          | B           |                                     |                                |                    |                     | 3                   |                     |  |   |   |   |                         |            |
|  | 5-1418758-1                          | A           |                                     |                                |                    |                     | TIN PLATED verzinkt |                     |  |   |   |   |                         |            |
| 1418758-3  | A                                    | 0.25 - 0.35 | 1.1 - 1.75                          | CuNiSi                         | CuSn0.15/0.2       | TIN PLATED verzinkt | 4                   | 4                   | A = 2.6<br>B = 2.0<br>C = 5.7            | E = 1.8<br>G = 1.8<br>D <sub>or</sub> = 0.8 | H = 2.6<br>K = 2.6<br>D <sub>150</sub> = 1.4<br>M = 0.2 | 16.3  | Superseded              |            |
| 1418758-2  | B                                    |             |                                     |                                |                    | 3                   |                     |                     |  |   |   |   |                         |            |
| 1418758-1  | A                                    |             |                                     |                                |                    | TIN PLATED verzinkt |                     |                     |  |   |   |   |                         |            |
| 2141864-3  | A                                    | 0.13 - 0.22 | 0.85 - 1.2                          | CuNiSi                         | CuSn0.15/0.2       | TIN PLATED verzinkt | 4                   | 1                   | A = 2.5<br>B = 1.7<br>C = 5.4            | E = 1.5<br>G = 1.4                          | H = 2.0<br>K = 1.9<br>D <sub>150</sub> = 1.1            | 15.3  |                         |            |
| 2141864-2  | A                                    |             |                                     |                                |                    | 3                   |                     |                     |  |   |   |   |                         |            |
| 2141864-1  | A                                    |             |                                     |                                |                    | TIN PLATED verzinkt |                     |                     |  |   |   |   |                         |            |

- 1 LASER WELDED Lasergeschweisst
- 2 REVISION STATUS Revisionsstand
- 3 CONTACT AREA TAB MIN. 0.8µm SELECTIV GOLD OVER Ni Kontaktzone selectiv vergoldet min. 0.8µm ueber Ni
- 4 CONTACT AREA TAB MIN. 2.0µm SELECTIV SILVER Kontaktzone selectiv versilbert min. 2.0µm
- 5 DIFFERENT FORM OF THE SERRATIONS AND WIRE-CRIMP POSSIBLE unterschiedliche Ausfuehrung der Rillen und des Draht-Crimps moeglich
- 6 RELEASED WIRE. SEE APPLICATION SPEC. TE 114-18464 Freigegebene Leitung, siehe APPLICATION SPEC. TE 114-18464

|  |  |                              |   |
|--|--|------------------------------|---|
| PRODUCT CHARACTERISTICS ACC. QMP 1.12<br>BESONDERE MERKMALE NACH QMP 1.12  | TOLERANCING ISO 8015<br>TOLERIERUNG ISO 8015 | DWN R. Meier<br>CHK U. Muenk | 10MARD3<br>30JUL03  |
| THIS DRAWING IS A CONTROLLED DOCUMENT.<br>DIESER ZEICHNUNGSDRUCK IST EIN KONTROLLIERTES DOKUMENT.<br>ANWENDEBARE ZEICHNUNGSDRUCKE SIND DURCH EINEN GRUENEN STRICH AN DER RECHTEN SEITE DER ZEICHNUNG ANGEZEICHNET. | APVD   | NAME                         | PRODUCT GROUP DRAWING FOR<br>TAB CONTACT 1.2 MM<br>Produktgruppenzeichnung Flachstecker 1.2mm |
| DIMENSIONS: mm   | TOLERANCES UNLESS OTHERWISE SPECIFIED:       | SIZE                         | CAGE CODE DRAWING NO  |
| PLC ±  | ±0.2mm                                       | 114-18464                    | RESTRICTED TO   |
| PLC ±  | ±*   | 00779                        | SCALE 10:1 SHEET 1 OF 1 REV C12   |
| MATERIAL SEE TABLE siehe Tabelle   | FINISH SEE TABLE siehe Tabelle               | WEIGHT                       | Customer Drawing  |

## X-ON Electronics

Largest Supplier of Electrical and Electronic Components

*Click to view similar products for [Automotive Connectors](#) category:*

*Click to view products by [TE Connectivity](#) manufacturer:*

Other Similar products are found below :

[003-018-000](#) [60403001](#) [60993906-B](#) [M902-2131](#) [M902-2161](#) [72.330.1035.1](#) [73.353.4028.0](#) [F119300-B](#) [F166900](#) [F258300-B](#) [F358300-B](#)  
[F407400](#) [F444110](#) [F487000](#) [F509500B-B](#) [827153-1](#) [8N1515-32-24P](#) [9-1326729-8](#) [925474-1](#) [928905-1](#) [964562-4](#) [968782-1](#) [GT17SA-8DS-](#)  
[HU](#) [98891-1012](#) [98947-1016](#) [12004147](#) [12004475-L](#) [12010290](#) [12010309-B](#) [12015454](#) [12020219-B](#) [12020308](#) [12041318-B](#) [12052225-L](#)  
[12052466](#) [12059125](#) [12064869](#) [12004327-B](#) [12010503-B](#) [12015308](#) [12015384](#) [12015909](#) [1-21030-1](#) [12041254](#) [12041318](#) [12047946-B](#)  
[12047957](#) [12047957-L](#) [12059473](#) [12066261](#)