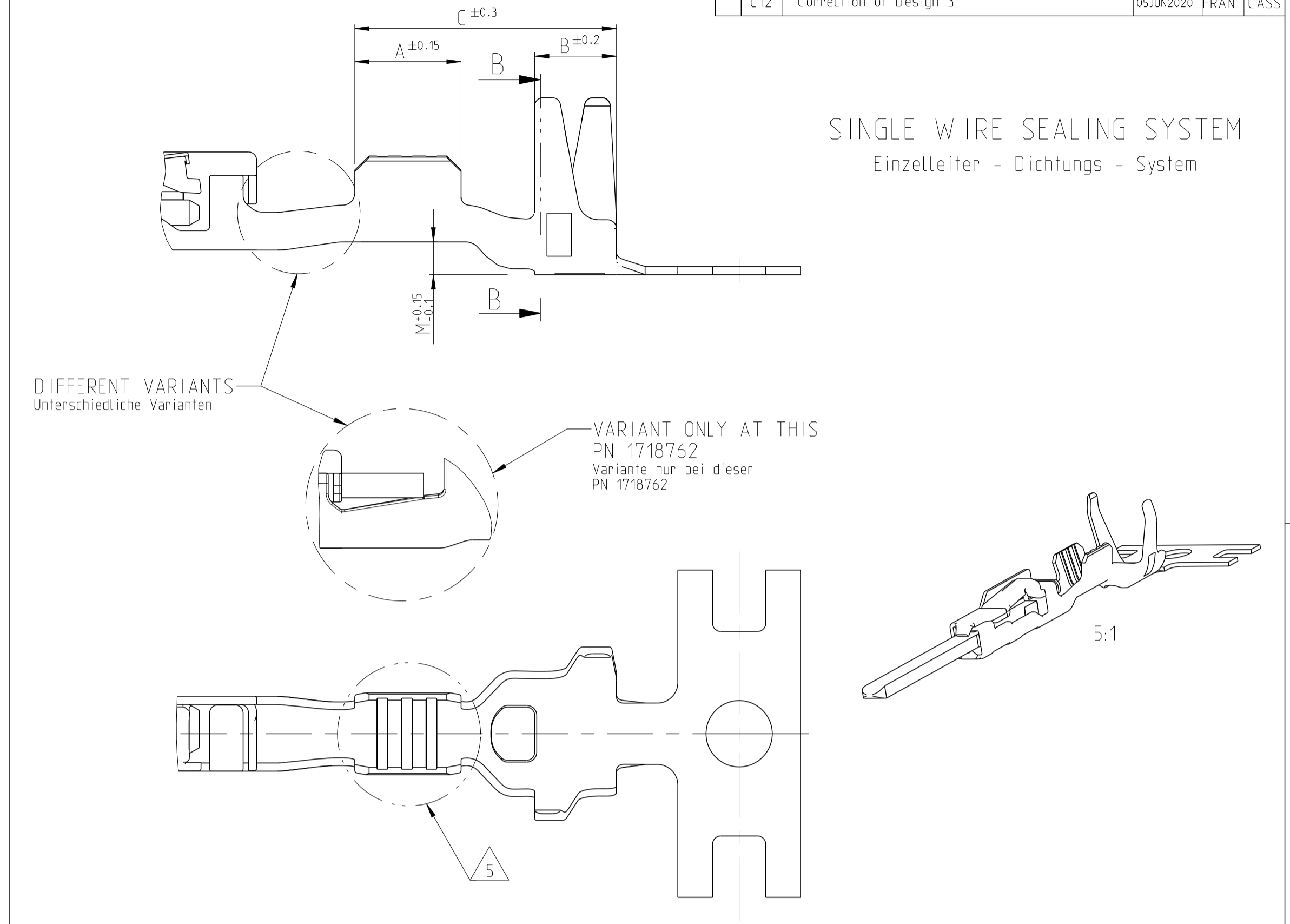
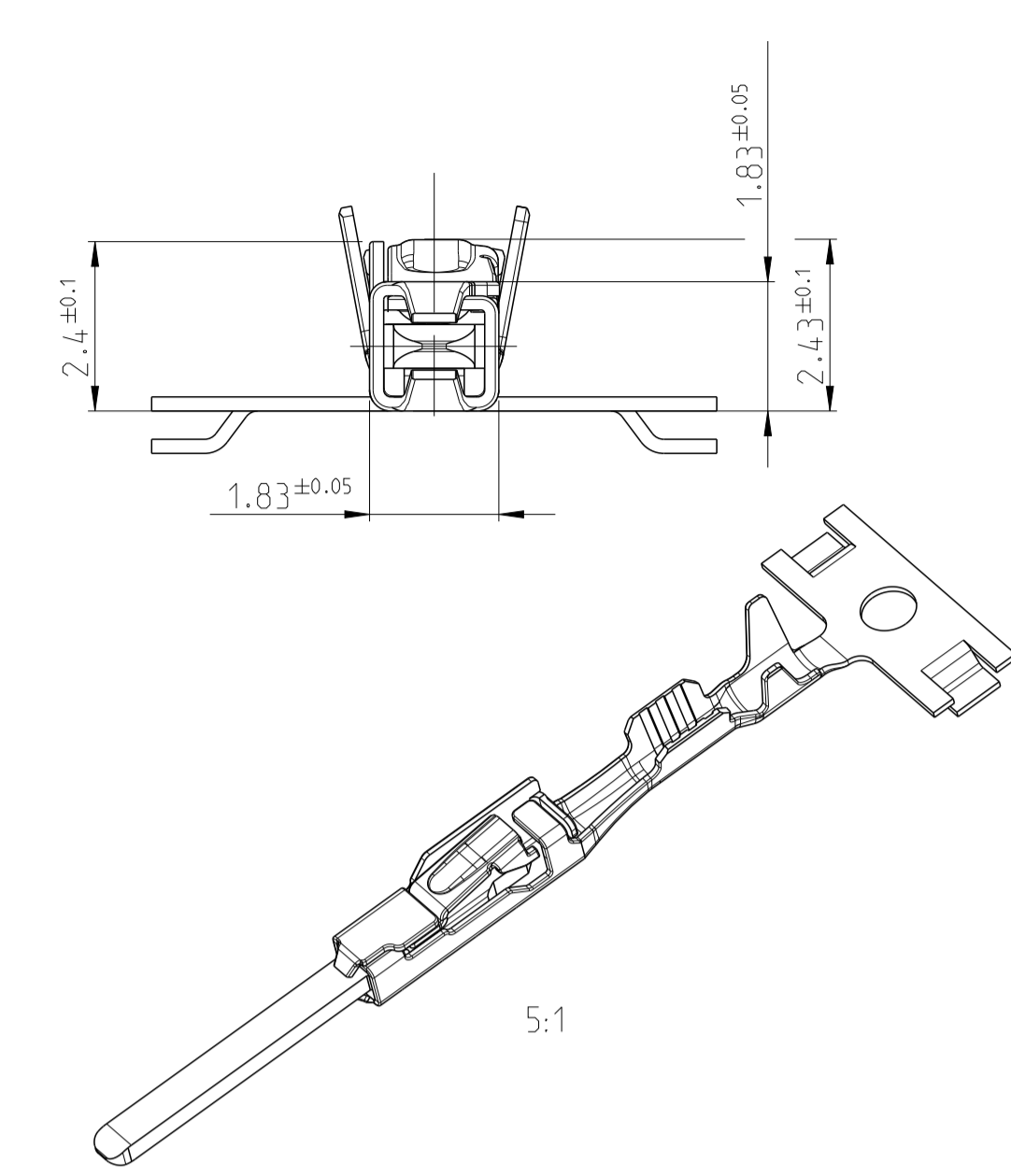
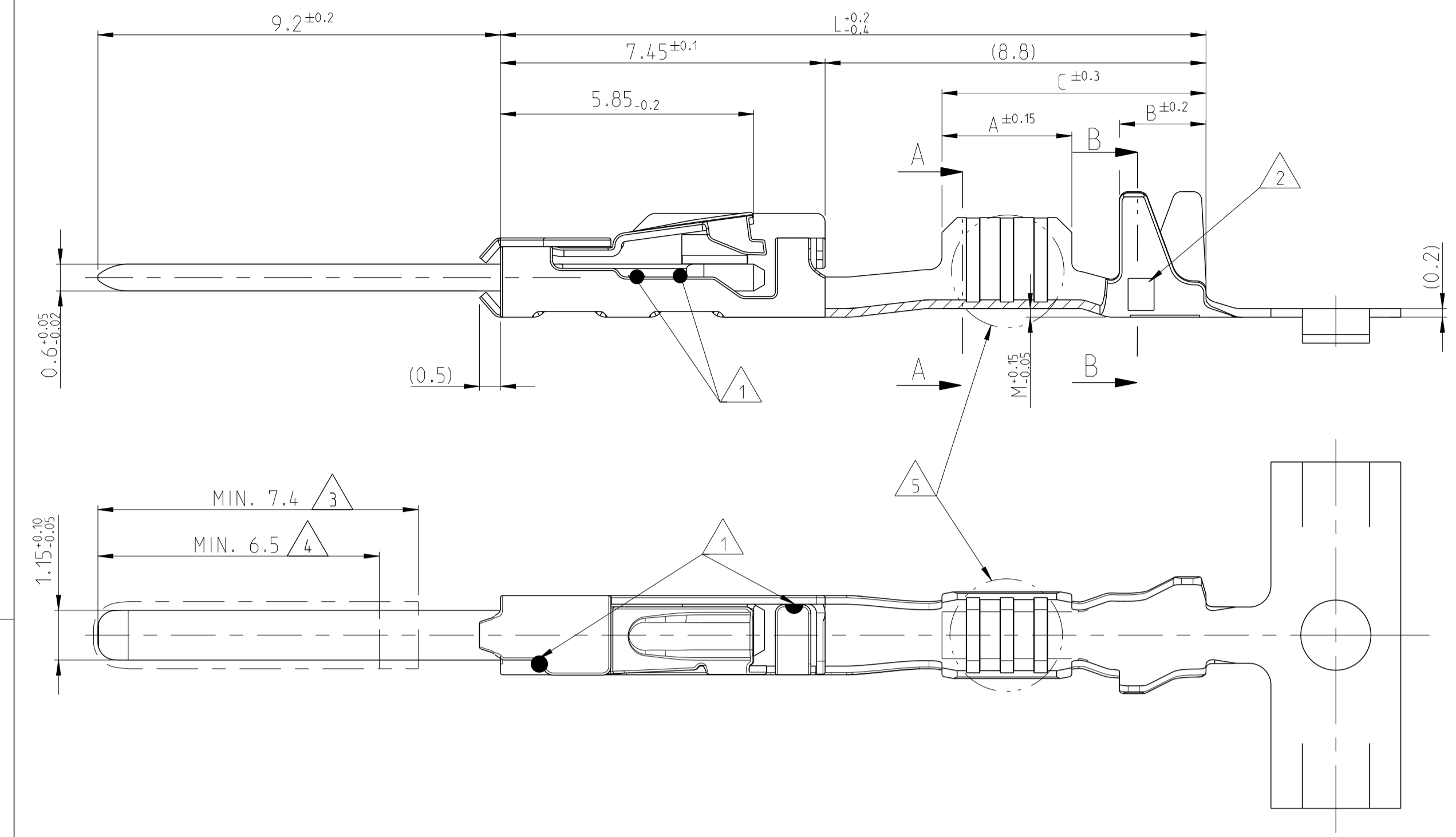


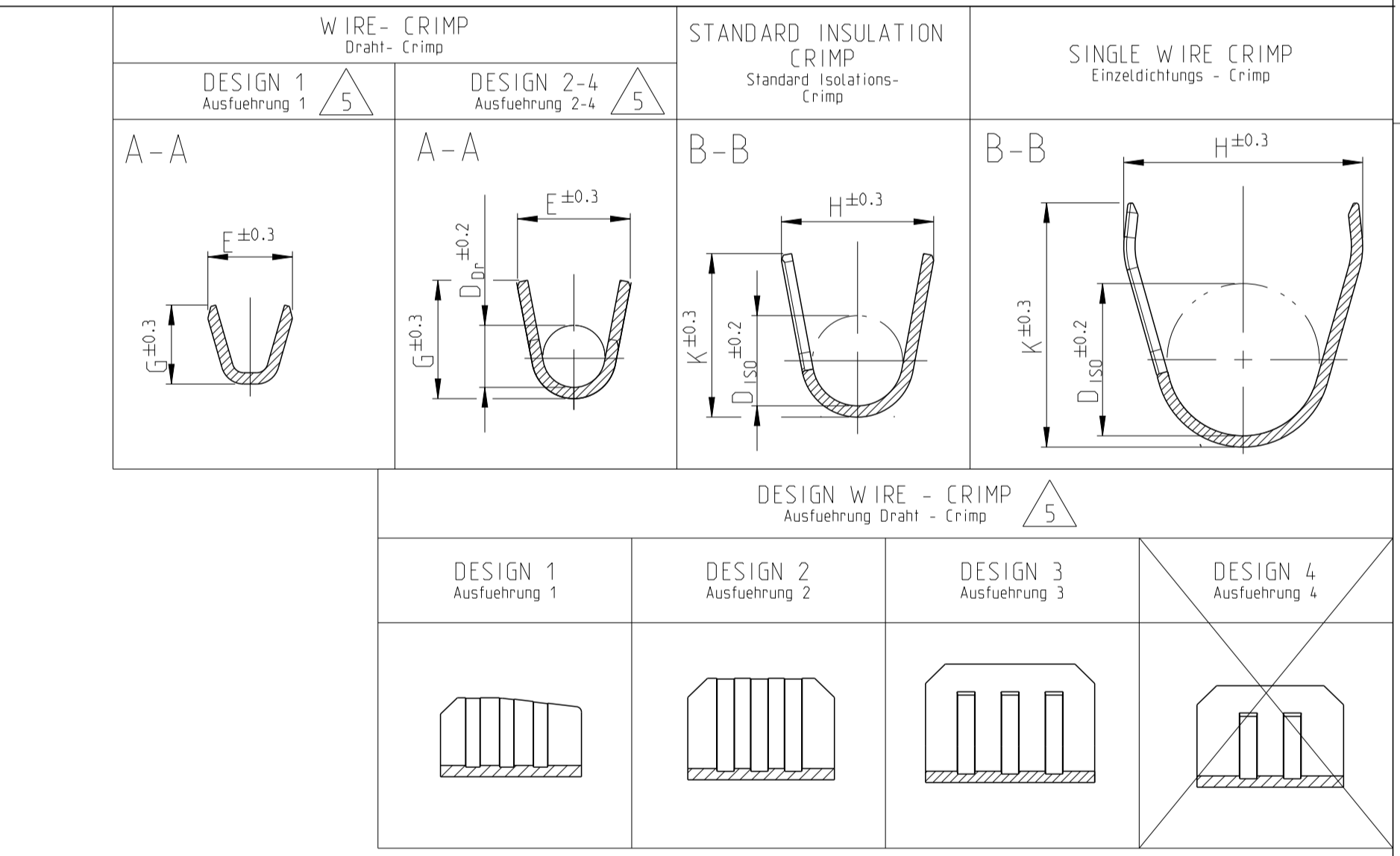
THE DRAWING SHOWS THE 2-DIMENSIONAL REFERENCE COMPONENT CONDITION OF THE ASSEMBLY TO IDENTIFY AND SPECIFY THE NECESSARY DIMENSIONS ONLY. THE DELIVERED PARTS MAY DEVIATE FROM THE DRAWING REGARDING THE ORIENTATION AND POSITION OF EACH COMPONENT (e.g. SLACK CABLE), SO FAR THE FUNCTIONALITY IS NOT CONCERNED.

DIE ZEICHNUNG ZEIGT DEN 2-DIMENSIONAL IDEALZUSTAND DES ZUSAMMENBAUTEILS BEZÜGLICH DER KOMPONENTEN ZUR IDENTIFIKATION UND SPEZIFIKATION DER NOTWENDIGEN DIMENSIONEN. HINSICHTLICH DER ORIENTIERUNG UND DER LAGE DER KOMPONENTEN (Z.B. BIEGESCHLAPTES KABEL) KÖNNEN DIE DELIEFERTEN TEILE VON DER ZEICHNUNG ABWEICHEN, SOFERN DIE FUNKTIONALITÄT NICHT BEEINTRÄCHTIGT IST.

LOC		DIST		REVISIONS			
AI	-	P	LTA	DESCRIPTION	DATE	DWN	APVD
PROJECT No.		C9	ECR-15-012070		22SEP2015	JBH	BK
EGAUT 02021		C10	DIM 'L' FOR 2141868-1, -2 and -3 IS CHANGED TO 16.3mm		06OCT2017	GH	CASS
		C11	E-19-013005		20AUG2019	FRAN	CASS
		C12	Correction of Design 3		05JUN2020	FRAN	CASS



INSULATION CRIMP FOR Isolationssystem	ORDER NO. Bestell-Nr. STRIP Bandware	REV	WIRE RANGE Drahtgrößenbereich (mm <sup>2</sup> )	INSULATION-Ø Isolations-Ø (mm)	BODY Kontaktkörper	TAB Flachstecker	BODY Kontaktkörper	SPRING Kontaktfeder	DESIGN WIRE-CRIMP Ausführung Draht - Crimp	LENGTH Laenge	WIRE CRIMP Drahtcrimp	INSULATION CRIMP Isolations Crimp	DIMENSION Mass 'L' (mm)	
SINGLE WIRE SEALING SYSTEM / Einzeldichtungssystem SEE APPLICATION SPECIFICATION / siehe Verarbeitungsspezifikation	1718762-3	B	1.0 - 1.5	1.9 - 2.4	CuNiSi	CuSn0.15/0.2	TIN PLATED verzinkt	4	2	A = 3.0 B = 2.0 C = 6.8	E = 2.6 G = 2.9 D <sub>or</sub> = 1.35	H = 4.4 K = 4.3 D <sub>150</sub> = 2.9 M = 0.8	16.8	
	1718762-2	C					3							
	1718762-1	B					TIN PLATED verzinkt							
	1718760-3	A	0.5 - 0.75	1.4 - 1.9	CuNiSi	CuSn0.15/0.2	TIN PLATED verzinkt	4	2	A = 2.6 B = 2.0 C = 6.4	E = 2.0 G = 2.1 D <sub>or</sub> = 1.1	H = 4.2 K = 4.3 D <sub>150</sub> = 2.7 M = 0.8	16.3	
	1718760-2	B					3							
	1718760-1	A					TIN PLATED verzinkt							
	1718758-3	A	0.25 - 0.35	1.1 - 1.75	CuNiSi	CuSn0.15/0.2	TIN PLATED verzinkt	4	2	A = 2.6 B = 2.0 C = 6.4	E = 1.8 G = 1.8 D <sub>or</sub> = 0.8	H = 4.2 K = 4.3 D <sub>150</sub> = 2.6 M = 0.8	16.3	
	1718758-2	B					3							
	1718758-1	A					TIN PLATED verzinkt							
	2141868-3	A	0.13 - 0.22	2.6	CuNiSi	CuSn0.15/0.2	TIN PLATED verzinkt	4	1	A = 2.5 B = 1.9 C = 6.2	E = 1.5 G = 1.4	H = 4.0 K = 4.1 D <sub>150</sub> = 2.6 M = 0.6	16.3	
	2141868-2	A					3							
	2141868-1	A					TIN PLATED verzinkt							
FLR CABLE / Leitung SEE APPLICATION SPECIFICATION / siehe Verarbeitungsspezifikation	1418762-3	A	1.0 - 1.5	1.9 - 2.4	CuNiSi	CuSn0.15/0.2	TIN PLATED verzinkt	4	3	A = 3.0 B = 2.0 C = 6.1	E = 2.6 G = 2.9 D <sub>or</sub> = 1.35	H = 3.7 K = 3.9 D <sub>150</sub> = 2.1 M = 0.2	16.3	
	1418762-2	B					3							
	1418762-1	A					TIN PLATED verzinkt							
	5-1418760-3	A	0.5 - 0.75	1.4 - 1.9	CuNiSi	CuSn0.15/0.2	TIN PLATED verzinkt	4	2	A = 3.0 B = 2.0 C = 6.1	E = 2.0 G = 2.1 D <sub>or</sub> = 1.1	H = 2.7 K = 2.9 D <sub>150</sub> = 1.6 M = 0.2	16.3	
	5-1418760-2	A					3							
	5-1418760-1	A					TIN PLATED verzinkt							
	1418760-3	B	0.5 - 0.75	1.4 - 1.9	CuNiSi	CuSn0.15/0.2	TIN PLATED verzinkt	4	3	A = 3.0 B = 2.0 C = 6.1	E = 2.0 G = 2.1 D <sub>or</sub> = 1.1	H = 2.7 K = 2.9 D <sub>150</sub> = 1.6 M = 0.2	16.3	Superseded
	1418760-2	C					3							
	1418760-1	B					TIN PLATED verzinkt							
	5-1418758-3	A	0.25 - 0.35	1.1 - 1.75	CuNiSi	CuSn0.15/0.2	TIN PLATED verzinkt	4	2	A = 2.6 B = 2.0 C = 5.7	E = 1.8 G = 1.8 D <sub>or</sub> = 0.8	H = 2.6 K = 2.6 D <sub>150</sub> = 1.4 M = 0.2	16.3	
	5-1418758-2	B					3							
	5-1418758-1	A					TIN PLATED verzinkt							
1418758-3	A	0.25 - 0.35	1.1 - 1.75	CuNiSi	CuSn0.15/0.2	TIN PLATED verzinkt	4	4	A = 2.6 B = 2.0 C = 5.7	E = 1.8 G = 1.8 D <sub>or</sub> = 0.8	H = 2.6 K = 2.6 D <sub>150</sub> = 1.4 M = 0.2	16.3	Superseded	
1418758-2	B					3								
1418758-1	A					TIN PLATED verzinkt								
2141864-3	A	0.13 - 0.22	0.85 - 1.2	CuNiSi	CuSn0.15/0.2	TIN PLATED verzinkt	4	1	A = 2.5 B = 1.7 C = 5.4	E = 1.5 G = 1.4	H = 2.0 K = 1.9 D <sub>150</sub> = 1.1	15.3		
2141864-2	A					3								
2141864-1	A					TIN PLATED verzinkt								



- 1 LASER WELDED Lasergeschweisst
- 2 REVISION STATUS Revisionsstand
- 3 CONTACT AREA TAB MIN. 0.8µm SELECTIV GOLD OVER Ni Kontaktzone selectiv vergoldet min. 0.8µm ueber Ni
- 4 CONTACT AREA TAB MIN. 2.0µm SELECTIV SILVER Kontaktzone selectiv versilbert min. 2.0µm
- 5 DIFFERENT FORM OF THE SERRATIONS AND WIRE-CRIMP POSSIBLE unterschiedliche Ausfuehrung der Rillen und des Draht-Crimps moeglich
- 6 RELEASED WIRE. SEE APPLICATION SPEC. TE 114-18464 Freigegebene Leitung, siehe APPLICATION SPEC. TE 114-18464

PRODUCT CHARACTERISTICS ACC. QMP 1.12 BESONDERE MERKMALE NACH QMP 1.12	TOLERANCING ISO 8015 TOLERIERUNG ISO 8015	DWN R. Meier	10MARD3
THIS DRAWING IS A CONTROLLED DOCUMENT. DIESER ZEICHNUNGSDRUCK IST EIN KONTROLLIERTES DOKUMENT.	CHK U. Muenk	30JUN03	
DIMENSIONS: mm	TOLERANCES UNLESS OTHERWISE SPECIFIED:	APVD	NAME
PLC ±	±0.2mm	PRODUCT SPEC	PRODUCT GROUP DRAWING FOR
PLC ±	±0.2mm	APPLICATION SPEC	TAB CONTACT 1.2 MM
PLC ±	±0.2mm	114-18464	Produktgruppenzeichnung Flachstecker 1.2mm
FINISH SEE TABLE siehe Tabelle	WEIGHT	SIZE CASE CODE DRAWING NO	RESTRICTED TO
SEE TABLE siehe Tabelle	Customer Drawing	A1 00779 C= 1418754	
	SCALE 10:1	SHEET 1 of 1	REV C12

## X-ON Electronics

Largest Supplier of Electrical and Electronic Components

*Click to view similar products for [Automotive Connectors](#) category:*

*Click to view products by [TE Connectivity](#) manufacturer:*

Other Similar products are found below :

[003-018-000](#) [60403001](#) [60993906-B](#) [M902-2131](#) [M902-2161](#) [M902-2344](#) [72.330.1035.1](#) [73.353.4028.0](#) [F119300-B](#) [F166900](#) [F258300-B](#)  
[F358300-B](#) [F407400](#) [F444110](#) [F487000](#) [F509500B-B](#) [827153-1](#) [8N1515-32-24P](#) [9-1326729-8](#) [925474-1](#) [928905-1](#) [964562-4](#) [968782-1](#)  
[GT17SA-8DS-HU](#) [98891-1012](#) [98947-1016](#) [12004147](#) [12004475-L](#) [12010290](#) [12010309-B](#) [12015454](#) [12020219-B](#) [12041318-B](#) [12052225-](#)  
[L](#) [12052466](#) [12064869](#) [12004327-B](#) [12015308](#) [12015384](#) [12015909](#) [1-21030-1](#) [12041254](#) [12041318](#) [12047946-B](#) [12047957](#) [12047957-L](#)  
[12059473](#) [12066261](#) [12110546](#) [12110546-B](#)