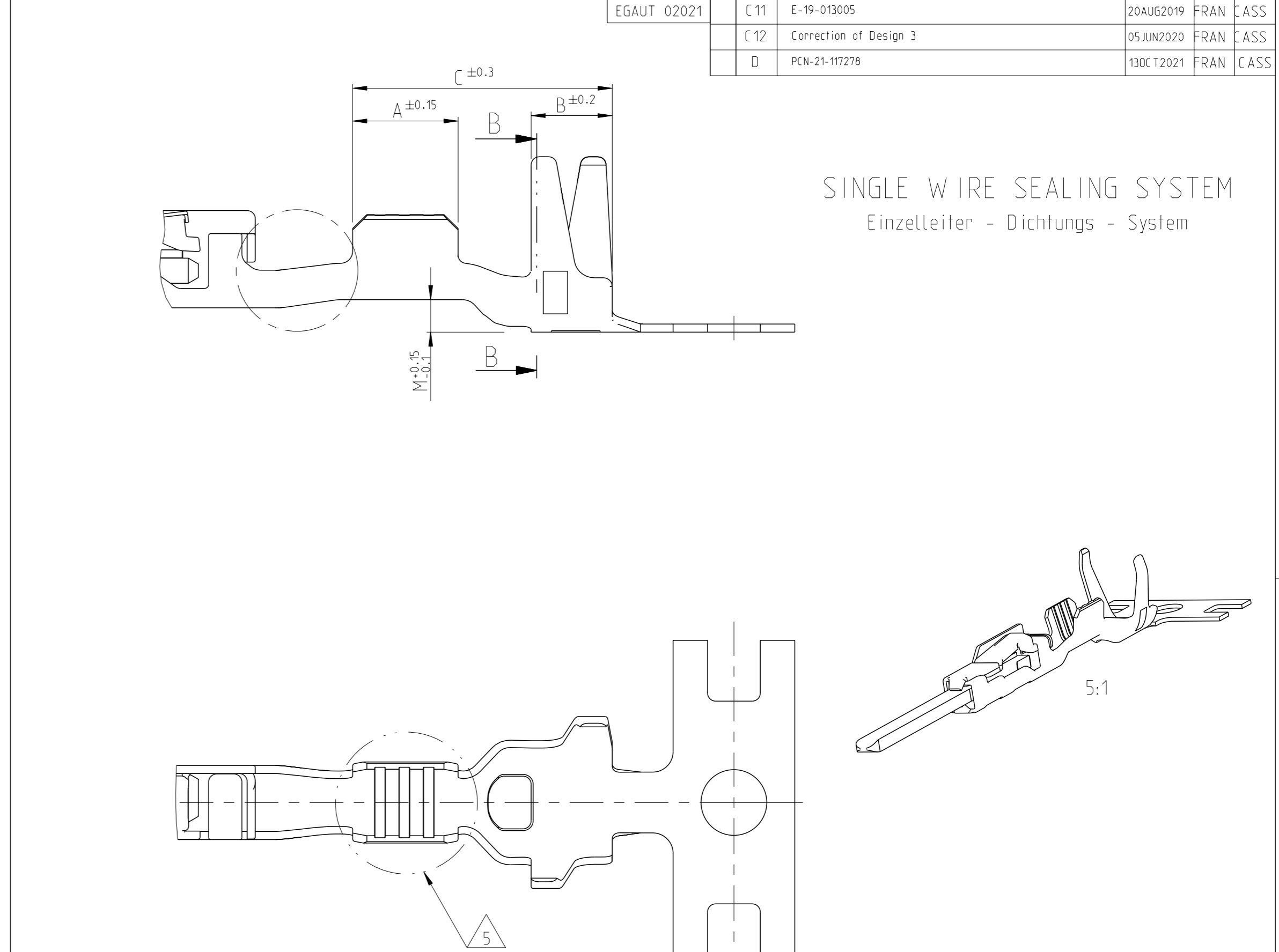
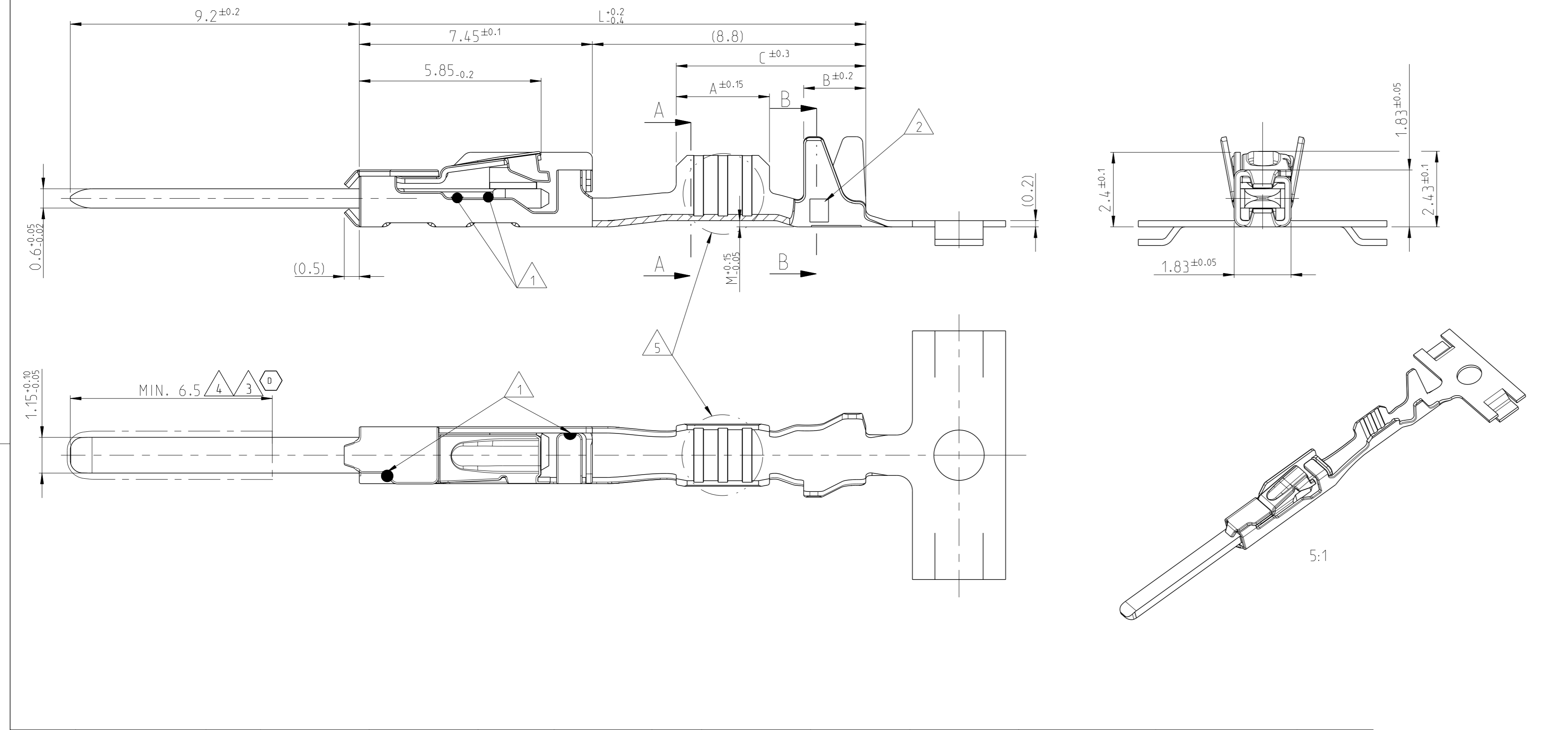


THE DRAWING SHOWS THE 2-DIMENSIONAL REFERENCE COMPONENT CONDITION OF THE ASSEMBLY TO IDENTIFY AND SPECIFY THE NECESSARY DIMENSIONS ONLY. THE DELIVERED PARTS MAY DEVIATE FROM THE DRAWING REGARDING THE ORIENTATION AND POSITION OF EACH COMPONENT (e.g. SLACK CABLE), SO FAR THE FUNCTIONALITY IS NOT CONCERNED.

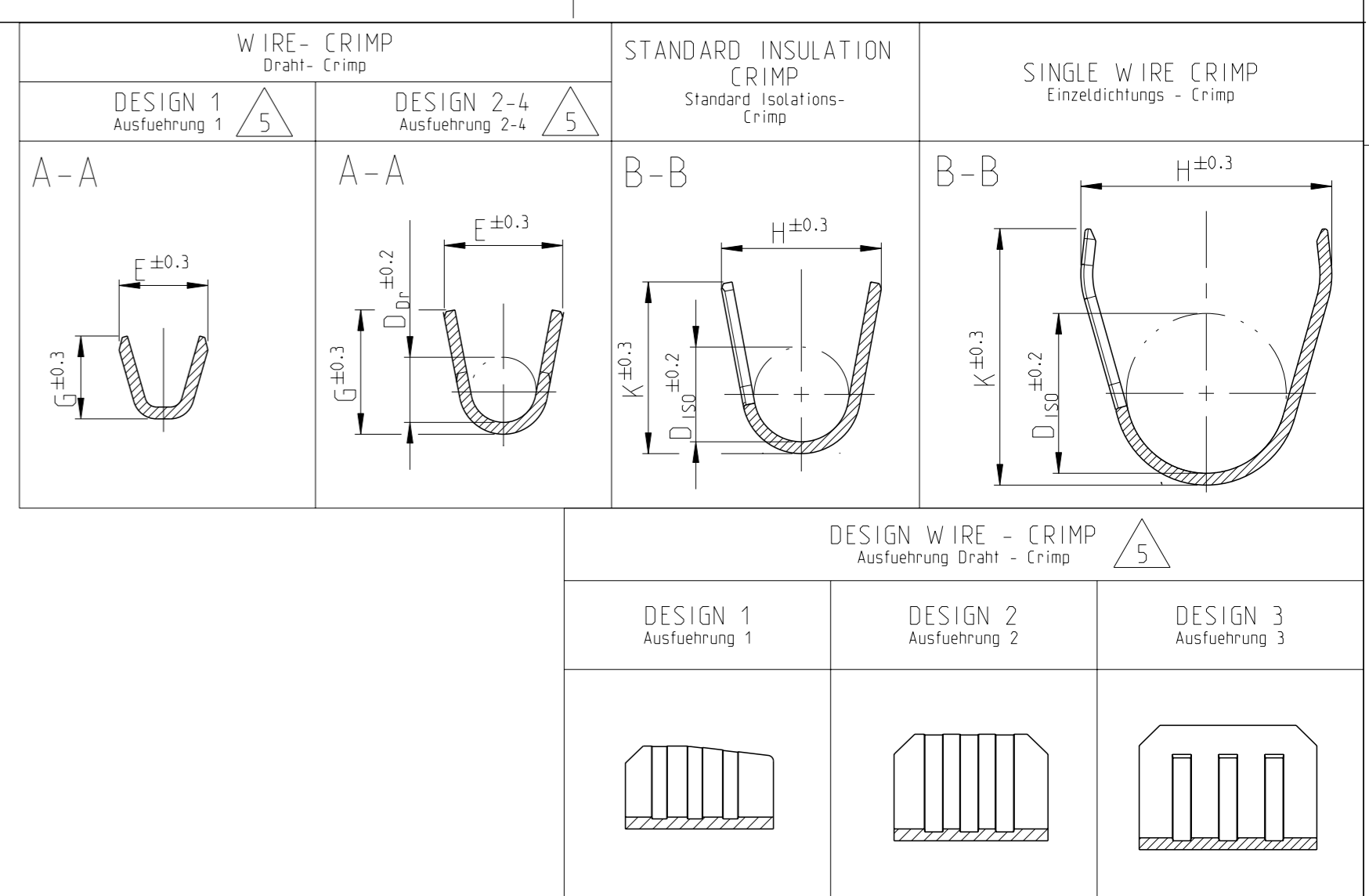
DIE ZEICHNUNG ZEIGT DEN 2-DIMENSIONALEN IDEALZUSTAND DES ZUSAMMENBAUTEILS BEZÜGLICH DER KOMPONENTEN ZUR IDENTIFIKATION UND SPEZIFIKATION DER NOTWENDIGEN DIMENSIONEN. HINSICHTLICH DER ORIENTIERUNG UND DER LAGE DER KOMPONENTEN (z.B. BIEGESCHLAPPE KABEL) KÖNNEN DIE GELIEFERTEN TEILE VON DER ZEICHNUNG ABWEICHEN, SOFERN DIE FUNKTIONALITÄT NICHT BEEINTRÄCHTIGT IST.

LOC	DIST	REVISIONS			
AI	-	REV	DATE	OWN	APVD
PROJECT No.	C 10	DIM 'L' FOR 2141868-1, -2 and -3 IS CHANGED TO 16.3mm	06OCT2017	GH	CASS
EGAUT 02021	C 11	E-19-013005	20AUG2019	FRAN	CASS
	C 12	Correction of Design 3	05JUN2020	FRAN	CASS
	D	PCN-21-117278	13OC12021	FRAN	CASS



SINGLE WIRE SEALING SYSTEM
 Einzelleiter - Dichtungs - System

INSULATION CRIMP FOR ISOLATIONSSTRIP	ORDER NO. Bestell-Nr. STRIP Bandware	REV	WIRE RANGE Drahtgrößenbereich (mm ²)	INSULATION ISOLATIONS-Ø (mm)	BODY CONTACTKÖRPER	TAB FLACHSTECKER	MATERIAL WERKSTOFF	BODY CONTACTKÖRPER	SPRING CONTACTFEEDER	SURFACE OBERFLÄCHE	DESIGN WIRE-CRIMP Ausfuehrung Draht - Crimp	LENGTH LAENGE	WIRE CRIMP DRAHTCRIMP	INSULATION CRIMP ISOLATIONS CRIMP	DIMENSION MASS 'L' (mm)
SINGLE WIRE SEALING SYSTEM / Einzelleitungssystem SEE APPLICATION SPECIFICATION / siehe Verarbeitungspezifikation	1718762-3		1.0 - 1.5	1.9 - 2.4	CuNiSi	CuSn0.15/0.2	TIN PLATED verzinkt	4	2	A = 3.0 B = 2.0 C = 6.8	E = 2.6 G = 2.9 D _{br} = 1.35	H = 4.4 K = 4.3 D _{iso} = 2.9 M = 0.8	16.8		
	1718762-2		1.0 - 1.5	1.9 - 2.4	CuNiSi	CuSn0.15/0.2	TIN PLATED verzinkt	3	2	A = 2.6 B = 2.0 C = 6.4	E = 2.0 G = 2.1 D _{br} = 1.1	H = 4.2 K = 4.3 D _{iso} = 2.7 M = 0.8	16.3		
	1718762-1		1.0 - 1.5	1.9 - 2.4	CuNiSi	CuSn0.15/0.2	TIN PLATED verzinkt	4	2	A = 2.6 B = 2.0 C = 6.4	E = 1.8 G = 1.8 D _{br} = 0.8	H = 4.2 K = 4.3 D _{iso} = 2.6 M = 0.8	16.3		
	1718760-3		0.5 - 0.75	1.4 - 1.9	CuNiSi	CuSn0.15/0.2	TIN PLATED verzinkt	4	2	A = 2.5 B = 1.9 C = 6.2	E = 1.5 G = 1.4	H = 4.0 K = 4.1 D _{iso} = 2.6 M = 0.6	16.3		
	1718760-2		0.5 - 0.75	1.4 - 1.9	CuNiSi	CuSn0.15/0.2	TIN PLATED verzinkt	3	2	A = 2.5 B = 1.9 C = 6.2	E = 1.5 G = 1.4	H = 4.0 K = 4.1 D _{iso} = 2.6 M = 0.6	16.3		
	1718760-1		0.5 - 0.75	1.4 - 1.9	CuNiSi	CuSn0.15/0.2	TIN PLATED verzinkt	4	2	A = 2.5 B = 1.9 C = 6.2	E = 1.5 G = 1.4	H = 4.0 K = 4.1 D _{iso} = 2.6 M = 0.6	16.3		
	1718758-3		0.25 - 0.35	1.1 - 1.75	CuNiSi	CuSn0.15/0.2	TIN PLATED verzinkt	4	2	A = 2.5 B = 1.9 C = 6.2	E = 1.5 G = 1.4	H = 4.0 K = 4.1 D _{iso} = 2.6 M = 0.6	16.3		
	1718758-2		0.25 - 0.35	1.1 - 1.75	CuNiSi	CuSn0.15/0.2	TIN PLATED verzinkt	3	2	A = 2.5 B = 1.9 C = 6.2	E = 1.5 G = 1.4	H = 4.0 K = 4.1 D _{iso} = 2.6 M = 0.6	16.3		
	1718758-1		0.25 - 0.35	1.1 - 1.75	CuNiSi	CuSn0.15/0.2	TIN PLATED verzinkt	4	2	A = 2.5 B = 1.9 C = 6.2	E = 1.5 G = 1.4	H = 4.0 K = 4.1 D _{iso} = 2.6 M = 0.6	16.3		
FLR CABLE / Leitung SEE APPLICATION SPECIFICATION / siehe Verarbeitungspezifikation	2141868-3		0.13 - 0.22	2.6	CuNiSi	CuSn0.15/0.2	TIN PLATED verzinkt	4	1	A = 2.5 B = 1.7 C = 5.4	E = 1.5 G = 1.4	H = 2.0 K = 1.9 D _{iso} = 1.1	15.3		
	2141868-2		0.13 - 0.22	2.6	CuNiSi	CuSn0.15/0.2	TIN PLATED verzinkt	3	1	A = 2.5 B = 1.7 C = 5.4	E = 1.5 G = 1.4	H = 2.0 K = 1.9 D _{iso} = 1.1	15.3		
	2141868-1		0.13 - 0.22	2.6	CuNiSi	CuSn0.15/0.2	TIN PLATED verzinkt	4	1	A = 2.5 B = 1.7 C = 5.4	E = 1.5 G = 1.4	H = 2.0 K = 1.9 D _{iso} = 1.1	15.3		
	1418762-3		1.0 - 1.5	1.9 - 2.4	CuNiSi	CuSn0.15/0.2	TIN PLATED verzinkt	4	3	A = 3.0 B = 2.0 C = 6.1	E = 2.6 G = 2.9 D _{br} = 1.35	H = 3.7 K = 3.9 D _{iso} = 2.1 M = 0.2	16.3		
	1418762-2		1.0 - 1.5	1.9 - 2.4	CuNiSi	CuSn0.15/0.2	TIN PLATED verzinkt	3	3	A = 3.0 B = 2.0 C = 6.1	E = 2.6 G = 2.9 D _{br} = 1.35	H = 3.7 K = 3.9 D _{iso} = 2.1 M = 0.2	16.3		
	1418762-1		1.0 - 1.5	1.9 - 2.4	CuNiSi	CuSn0.15/0.2	TIN PLATED verzinkt	4	3	A = 3.0 B = 2.0 C = 6.1	E = 2.6 G = 2.9 D _{br} = 1.35	H = 3.7 K = 3.9 D _{iso} = 2.1 M = 0.2	16.3		
	5-1418760-3		0.5 - 0.75	1.4 - 1.9	CuNiSi	CuSn0.15/0.2	TIN PLATED verzinkt	4	2	A = 3.0 B = 2.0 C = 6.1	E = 2.0 G = 2.1 D _{br} = 1.1	H = 2.7 K = 2.9 D _{iso} = 1.6 M = 0.2	16.3		
	5-1418760-2		0.5 - 0.75	1.4 - 1.9	CuNiSi	CuSn0.15/0.2	TIN PLATED verzinkt	3	2	A = 3.0 B = 2.0 C = 6.1	E = 2.0 G = 2.1 D _{br} = 1.1	H = 2.7 K = 2.9 D _{iso} = 1.6 M = 0.2	16.3		
	5-1418760-1		0.5 - 0.75	1.4 - 1.9	CuNiSi	CuSn0.15/0.2	TIN PLATED verzinkt	4	2	A = 3.0 B = 2.0 C = 6.1	E = 2.0 G = 2.1 D _{br} = 1.1	H = 2.7 K = 2.9 D _{iso} = 1.6 M = 0.2	16.3		
INSULATION CRIMP FOR ISOLATIONSSTRIP	2141864-3		0.13 - 0.22	0.85 - 1.2	CuNiSi	CuSn0.15/0.2	TIN PLATED verzinkt	4	1	A = 2.5 B = 1.7 C = 5.4	E = 1.5 G = 1.4	H = 2.0 K = 1.9 D _{iso} = 1.1	15.3		
	2141864-2		0.13 - 0.22	0.85 - 1.2	CuNiSi	CuSn0.15/0.2	TIN PLATED verzinkt	3	1	A = 2.5 B = 1.7 C = 5.4	E = 1.5 G = 1.4	H = 2.0 K = 1.9 D _{iso} = 1.1	15.3		
	2141864-1		0.13 - 0.22	0.85 - 1.2	CuNiSi	CuSn0.15/0.2	TIN PLATED verzinkt	4	1	A = 2.5 B = 1.7 C = 5.4	E = 1.5 G = 1.4	H = 2.0 K = 1.9 D _{iso} = 1.1	15.3		



- 1 LASER WELDED Lasergeschweisst
- 2 REVISION STATUS Revisionsstand
- 3 CONTACT AREA TAB MIN. 0.8µm SELECTIV GOLD OVER Ni Kontaktzone selectiv vergoldet min. 0.8µm ueber Ni
- 4 CONTACT AREA TAB MIN. 2.0µm SELECTIV SILVER Kontaktzone selectiv versilbert min. 2.0µm
- 5 DIFFERENT FORM OF THE SERRATIONS AND WIRE-CRIMP POSSIBLE unterschiedliche Ausfuehrung der Rillen und des Draht-Crimps moeglich
- 6 RELEASED WIRE, SEE APPLICATION SPEC. TE 114-18464 Freigegebene Leitung, siehe APPLICATION SPEC. TE 114-18464

PRODUCT CHARACTERISTICS ACC. QMP 1.12 BESONDERE MERKMALE NACH QMP 1.12	TOLERANCING ISO 8015 TOLERIERUNG ISO 8015
THIS DRAWING IS A CONTROLLED DOCUMENT. DIESER ZEICHNUNGSDRUCK IST EIN KONTROLLIERTES DOKUMENT.	OWN R. Meier 10MAR03 CHK U. Muenk 30JUL03
DIMENSIONS: mm	APVD - NAME
TOLERANCES UNLESS OTHERWISE SPECIFIED: PLC ± 0.2mm PLC ± 0.2mm PLC ± 0.2mm ANGLES ± °	PRODUCT SPEC 108-18782 APPLICATION SPEC 114-18464 WEIGHT - Customer Drawing
MATERIAL SEE TABLE siehe Tabelle	FINISH SEE TABLE siehe Tabelle
SIZE A1	SCALE 10:1 SHEET 1 OF 1 REV D

X-ON Electronics

Largest Supplier of Electrical and Electronic Components

Click to view similar products for [Terminals](#) category:

Click to view products by [TE Connectivity](#) manufacturer:

Other Similar products are found below :

[00-054007-01074-6](#) [00-054007-70206-1](#) [00-054007-70210-8](#) [00-054007-70217-7](#) [00-054007-70228-3](#) [00-054007-70256-6](#) [00-054007-70316-7](#) [00-054007-49560-4](#) [00-054007-70209-2](#) [00-054007-70231-3](#) [00-054007-70241-2](#) [00-054007-70242-9](#) [00-054007-70246-7](#) [00-054007-70263-4](#) [00-054007-70288-7](#) [00-054007-70290-0](#) [00-054007-70300-6](#) [00-054007-70304-4](#) [01-2900-1-04412](#) [0190160084](#) [0190350008](#) [600TS-10](#) [605601-1](#) [60617-1-C](#) [61314-6-C](#) [626-0194](#) [63-S](#) [M55155/079C01](#) [M55155/099B03](#) [M55155/109H01](#) [M55155/12XH05](#) [M55155/29XJ08](#) [M55155/30-6S](#) [M55155/30-9S](#) [M55155/30XI09](#) [M6-14RSX](#) [696861-1](#) [696999-1](#) [M86700006](#) [D18-110B-C](#) [D18-110B-M](#) [701-1936](#) [701-1955](#) [701-2003](#) [701-2007](#) [701-2013](#) [701-2018](#) [701-2069](#) [701-2077-60](#) [701-2315](#)