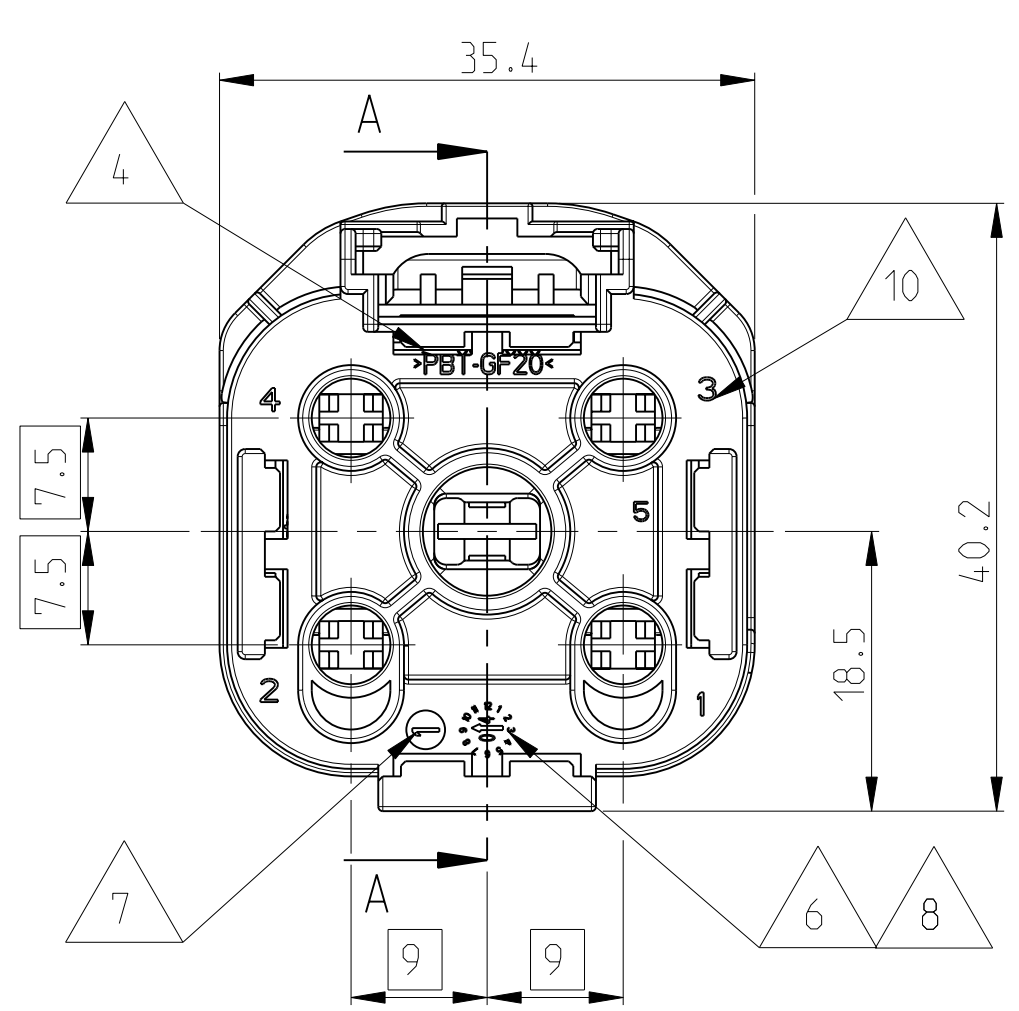
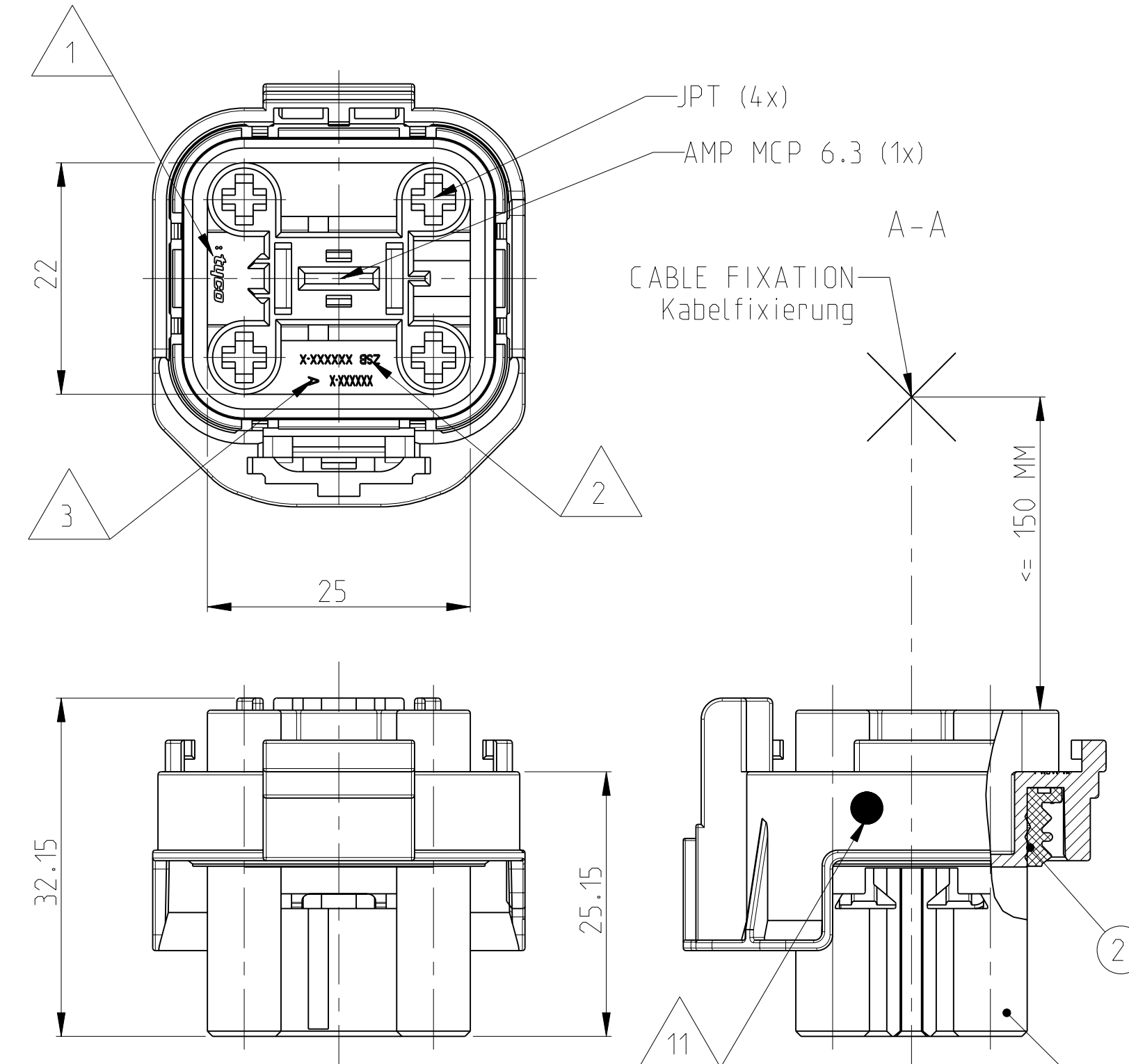


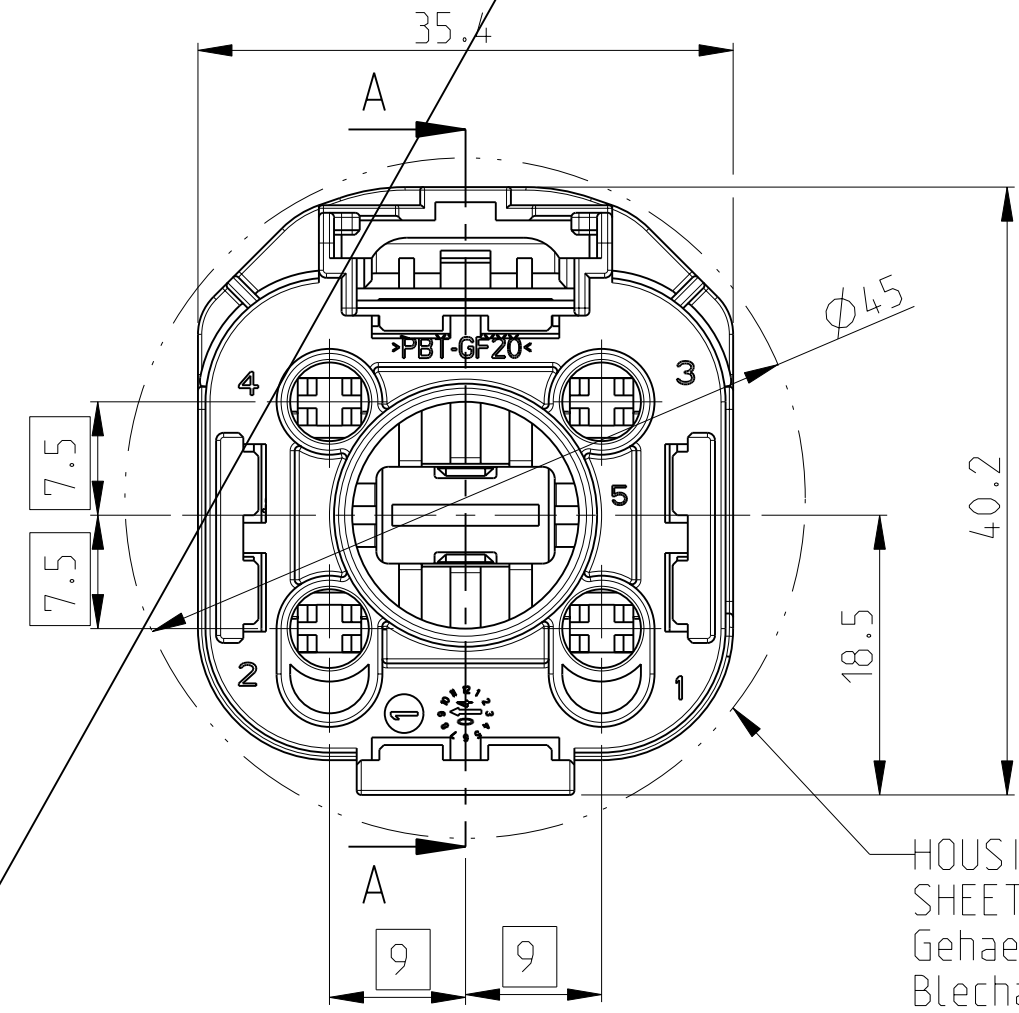
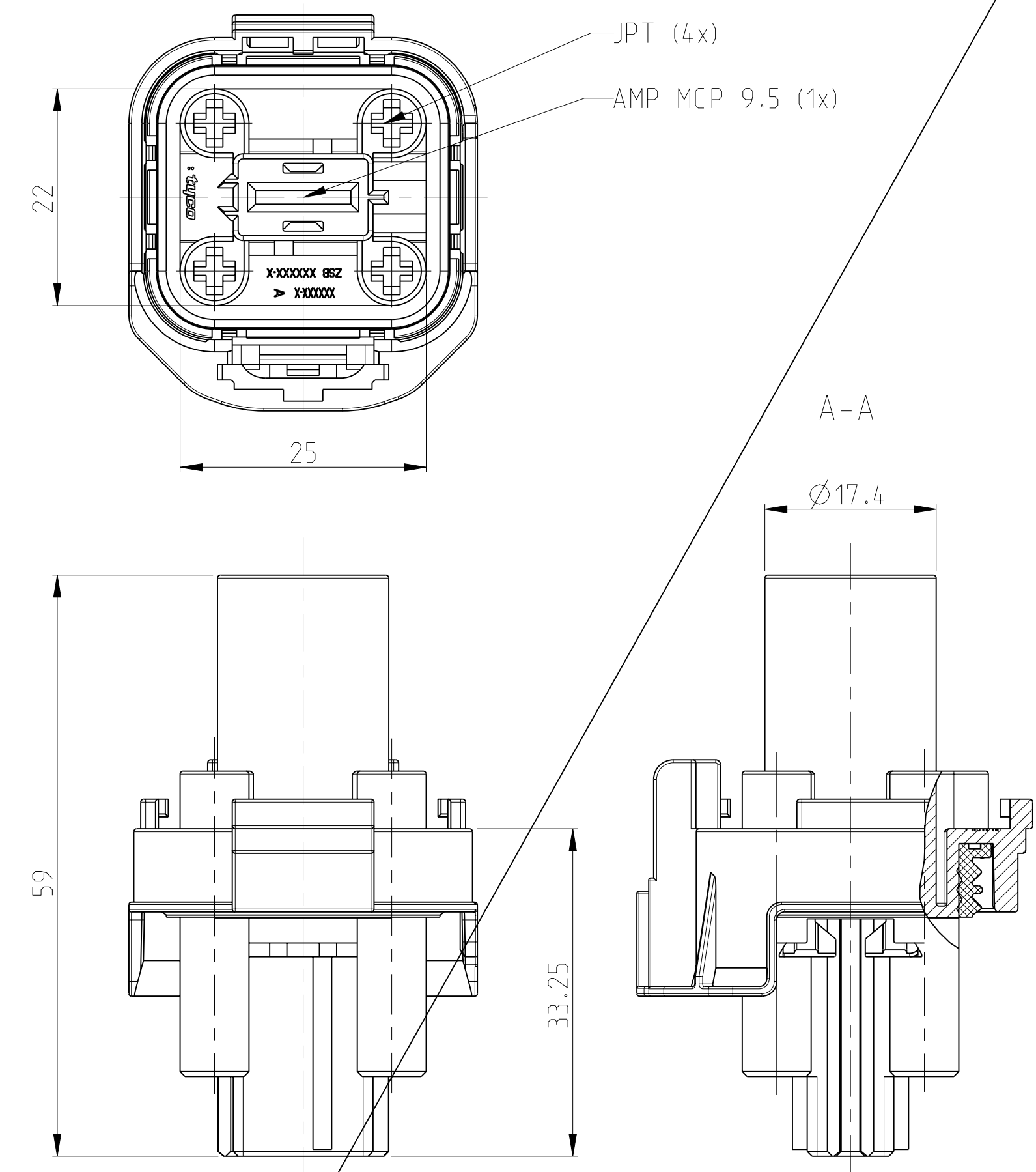
| REV | DATE | DESCRIPTION | BY | CHK | APPV |
|-----|-----------|-----------------|----|-----|------|
| B1 | 04APR2007 | SEE E-07-007874 | LN | AK | |
| B2 | 11APR2007 | SEE E-07-008262 | LN | VB | |
| B3 | 11SEP2007 | SEE E-07-021562 | SC | VB | |
| B4 | 10SEP2008 | SEE E-08-022852 | SC | VB | |

2:1 VARIANT-A
 Variante-A
 CONTACT LAYOUT
 Kammerbelegung



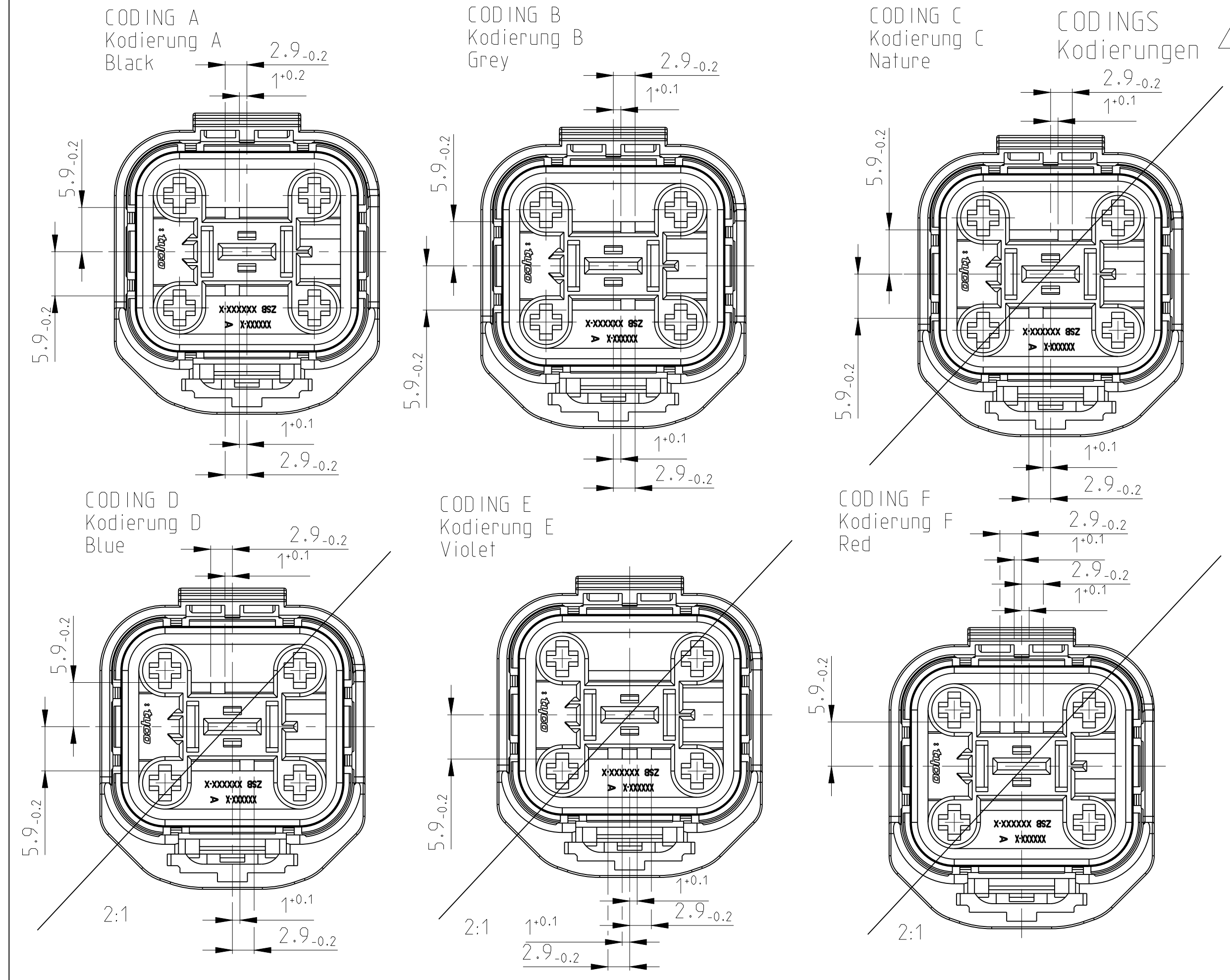
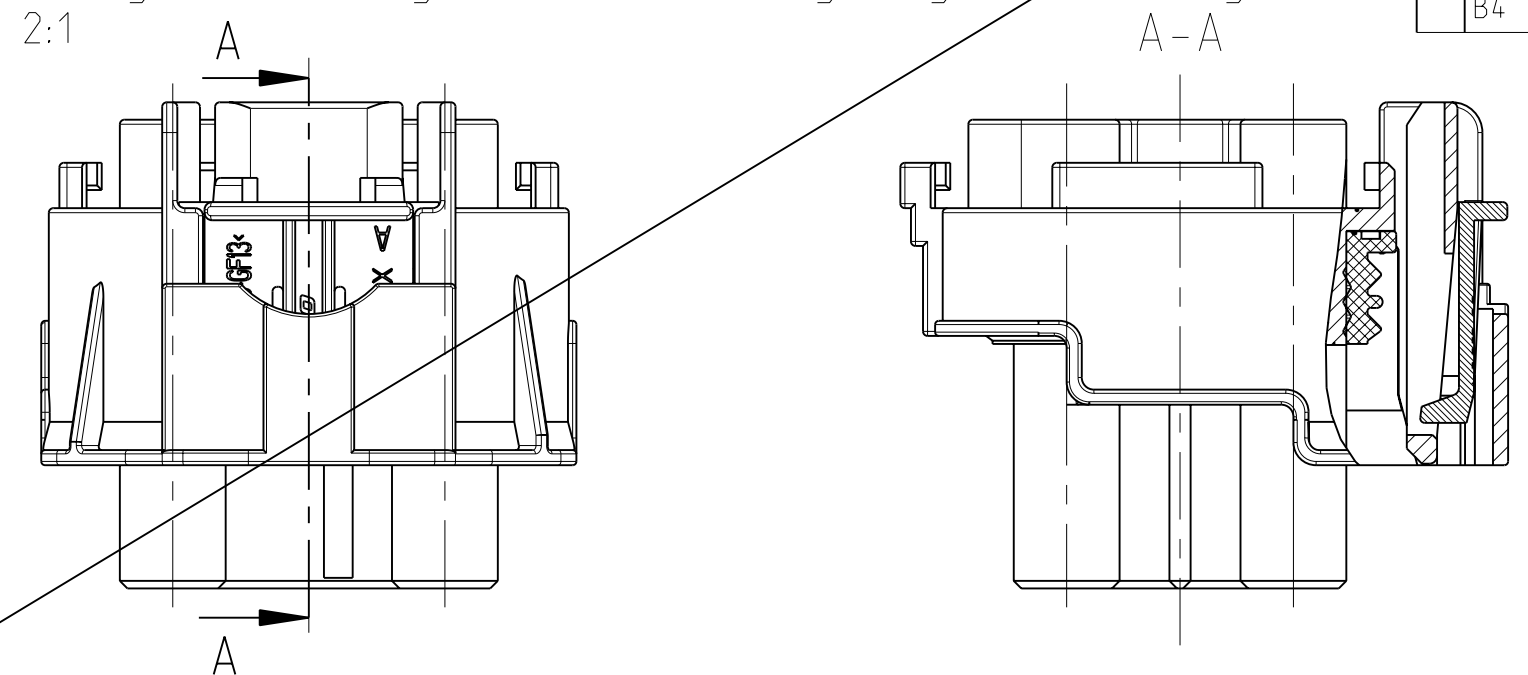
13 VARIANTS
 Varianten

VARIANT-B
 Variante-B
 CONTACT LAYOUT
 Kammerbelegung



HOUSING TO FIT THROUGH
 SHEET METAL CUT-OUT Ø45mm
 Gehäuse passt durch
 Blechausschnitt Ø45mm

DELIVERY POSITION
 Anlieferungszustand
 ASSEMBLAGE VERSION WITH CPA
 Montageausführung mit Zweitverriegelungsvorrichtung



- NOTES
 BEMERKUNGEN
- 1 TE-LOGO
 TE-Firmenzeichen
 - 2 ORDER NUMBER
 Bestell-Nummer
 - 3 REVISION NUMBER
 Werkzeug-Änderungsindex
 - 4 MATERIAL MARKING
 Werkstoffkennzeichnung
 - 5 NV
 ORDER NUMBERT NOTE NOT VALID
 Bemerkung nicht verwendet
 - 6 NV
 MARKING FOR OPEL SIGN
 OPEL-Kurzzeichen
 - 7 NV
 PRODUCTION DATE
 Produktionsdatum
 - 8 NV
 CAVITY MARKING
 Nestmarkierung
 - 9 PRE-SERIES PART WITH CONDITIONAL RELEASE MARKED WITH
 CONDITIONING CLOCK INSTEAD OF DATE CLOCK
 Vorseerienteil mit bedingter Freigabe markiert mit
 Änderungsuhr anstelle der Datumsuhr
 - 10 LOOSE PARTS PACKAGED IN CARTON
 Verpackung, löse im Karton
 - 11 CAVITY IDENTIFICATION
 Kammerbezeichnung
 - 12 ATTENTION : PRE-SERIES PART IS MARKED WITH A PINK DOT !
 ACHTUNG: Vorseerienteile sind mit rosa Punkt markiert !
 Verpackungseinheit richtet sich nach Auftragsmenge.

| TE ORDER NO STRIP FORM | TE ORDER NO LOOSE PIECE | WIRE RANGE MM ² | MATERIAL | FINISH | SINGLE WIRE SEAL NO |
|---|----------------------------|-------------------------------|----------|-----------------|------------------------|
| 1-0967591-1 | 1-0929153-1 | >10-16 | CuNiSi | TIN PLATED | 0-1355437-3 |
| 1-0967590-2 | 1-0929152-2 | 6-10 | CuNiSi | TIN PLATED SnAg | 0-1355437-1;-2 |
| 1-0967590-1 | 1-0929152-1 | 6-10 | CuNiSi | TIN PLATED | 0-1355437-1;-2 |
| RECOMMENDED CONTACT SYSTEM: AMP MCP 9.5; SEALED | | | | | FLK |
| 0-1241418-4 | 0-1241419-4 | >4-6.0 | CuNiSi | TIN PLATED SnAg | 0-1719043-1 |
| 0-1241416-1 | 0-1241417-1 | >2.5-4.0 | CuNiSi | TIN PLATED | 0-1394512-1 |
| 0-1241414-1 | 0-1241415-1 | >1.0-2.5 | CuNiSi | TIN PLATED | 0-1394511-1 |
| RECOMMENDED CONTACT SYSTEM: AMP MCP 6.3; SEALED | | | | | FLR |
| 0-0964273-1 | 0-0964287-1 | >1.0-2.5 | CuFe 2 | PRETINNED | 0-0963292-1 |
| 0-0964286-1 | 0-0964285-1 | 0.5-1.0 | CuFe 2 | PRETINNED | 0-0963293-1 |
| 0-0964282-1 | 0-0964281-1 | 0.35-0.5 | CuFe 2 | PRETINNED | 0-0963294-1 |
| RECOMMENDED CONTACT SYSTEM: JPT- TYPE A; SEALED | | | | | FLR |

USED WITH :
 Verwenden mit :

RETAINER PN 0-1718879-1
 2.Kontaktsicherung PN 0-1718879-1

RETAINER PN 0-1718879-2
 2.Kontaktsicherung PN 0-1718879-2

COVER PN EGATN03442-058-1
 Kappe PN EGATN03442-058-1

| CUSTOMER SIGN | ASS'Y PART-NO. | REV. | COD. | VARIANTS | POS. | QTY. | WEIGHT (g) | DESCRIPTION | MATERIAL | FINISH | USED WITH | TE-COUNTERPART | ITEM NO. |
|---------------|----------------|------|------|----------|------|------|------------|---|----------------|-------------------------------|-----------|---------------------|----------|
| ZFW5-35 | 0-1718878-2 | B | B | A | 2 | 1 | 14.1 | SEAL Dichtung JPT / AMP MCP 6.3-HOUSING. SPOS. JPT / AMP MCP 6.3-Gehäuse. Spol. | MVG SHORE 50 A | NATURE natur GREY Grau | 14 | 114-18689 COD. B | 4 3 |
| ZFW5-32 | 0-1718878-1 | B | A | A | 2 | 1 | 14.1 | SEAL Dichtung JPT / AMP MCP 6.3-HOUSING. SPOS. JPT / AMP MCP 6.3-Gehäuse. Spol. | MVG SHORE 50 A | NATURE natur BLACK Schwarz | 14 | 114-18689 COD. A | 2 1 |

| | | | |
|-----------------------|---|--|--|
| DIMENSIONS: mm | TOLERANCES UNLESS OTHERWISE SPECIFIED: 9 PLC ±0.5 1 PLC ±0.5 2 PLC ±0.5 4 PLC ±0.5 ANGLES ±0.2° | DWN J. Neumeier CHK D. Duenkel V. Bergmann 25NOV2004 30MAR2005 31MAR2005 NAME 108-18974-1 APPLICATION SPEC 114-18686-1 WEIGHT SEE TABLE CUSTOMER DRAWING | Tyco Electronics AMP GmbH D - 64625 Bensheim NAME JPT/AMP MCP 6.3/9.5 HSG, SPOS., ASSY JPT/AMP MCP 6.3/9.5 Gehäuse, Spol., ZSB SIZE CAGE CODE DRAWING NO 00779 SCALE 2:1 SHEET 1 OF 1 REV B4 |
|-----------------------|---|--|--|

X-ON Electronics

Largest Supplier of Electrical and Electronic Components

Click to view similar products for [Automotive Connectors](#) category:

Click to view products by [TE Connectivity](#) manufacturer:

Other Similar products are found below :

[003-018-000](#) [60403001](#) [60993906-B](#) [M902-2131](#) [M902-2161](#) [72.330.1035.1](#) [73.353.4028.0](#) [F119300-B](#) [F166900](#) [F258300-B](#) [F358300-B](#)
[F407400](#) [F444110](#) [F487000](#) [F509500B-B](#) [827153-1](#) [8N1515-32-24P](#) [9-1326729-8](#) [925474-1](#) [928905-1](#) [964562-4](#) [968782-1](#) [GT17SA-8DS-](#)
[HU](#) [98891-1012](#) [98947-1016](#) [12004147](#) [12004475-L](#) [12010290](#) [12010309-B](#) [12015454](#) [12020219-B](#) [12020308](#) [12041318-B](#) [12052225-L](#)
[12052466](#) [12059125](#) [12064869](#) [12004327-B](#) [12010503-B](#) [12015308](#) [12015384](#) [12015909](#) [1-21030-1](#) [12041254](#) [12041318](#) [12047946-B](#)
[12047957](#) [12047957-L](#) [12059473](#) [12066261](#)