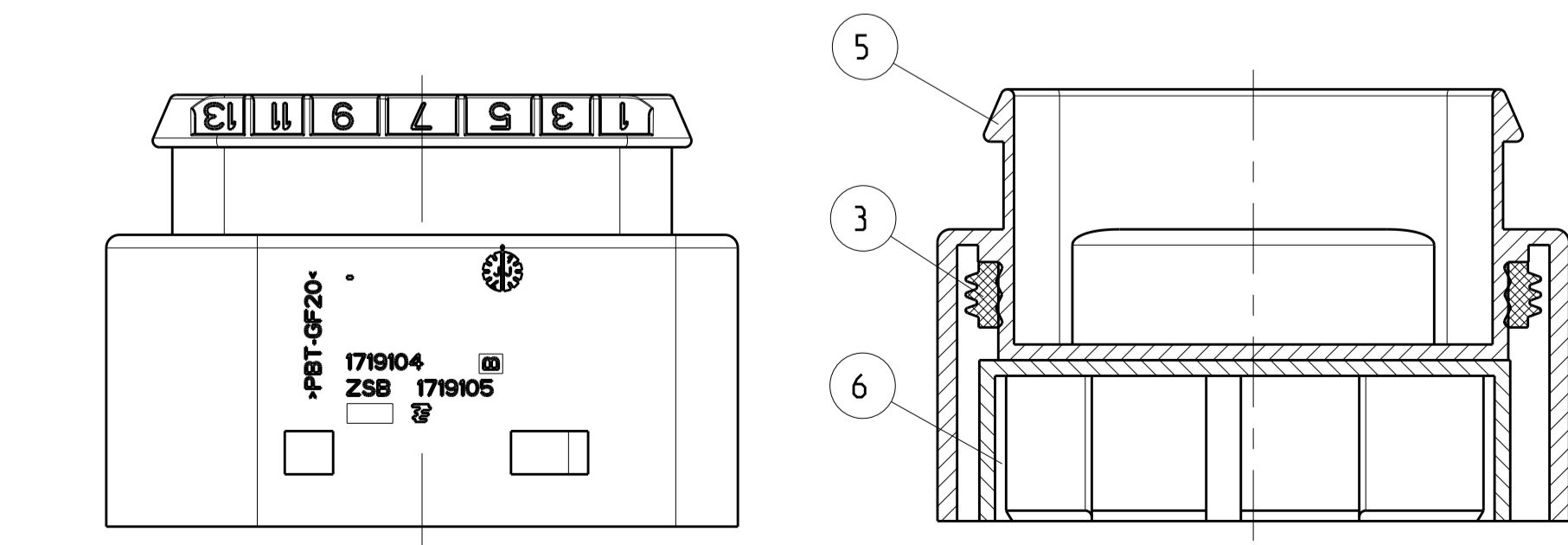
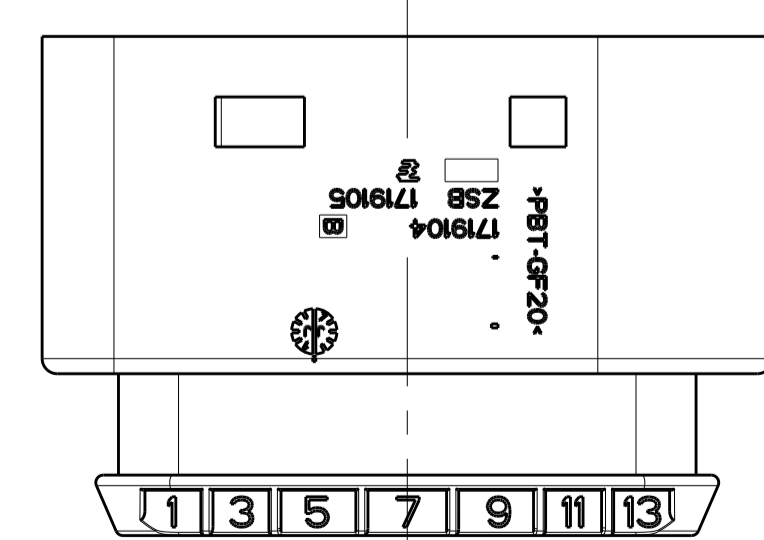
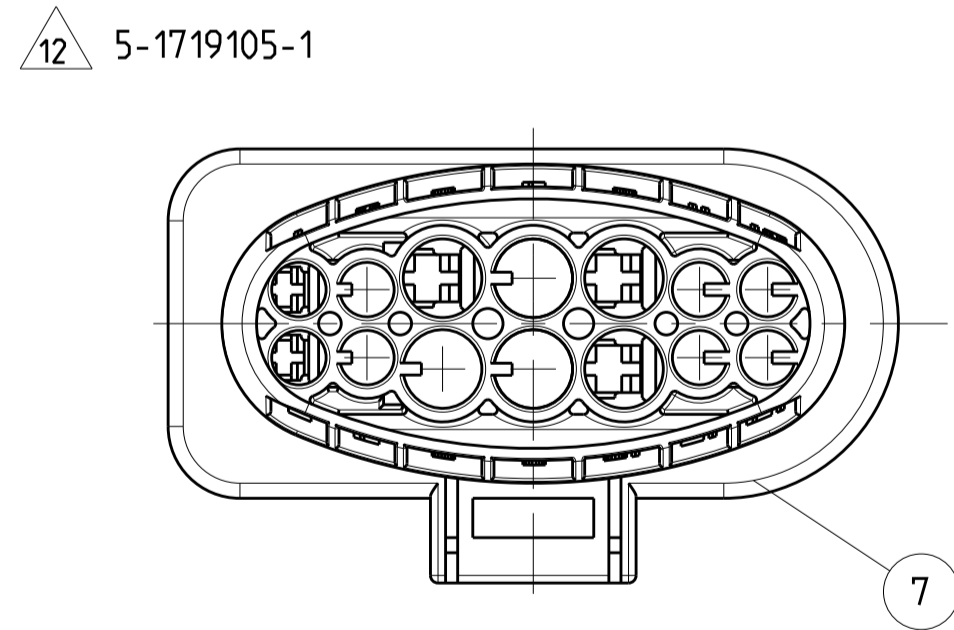
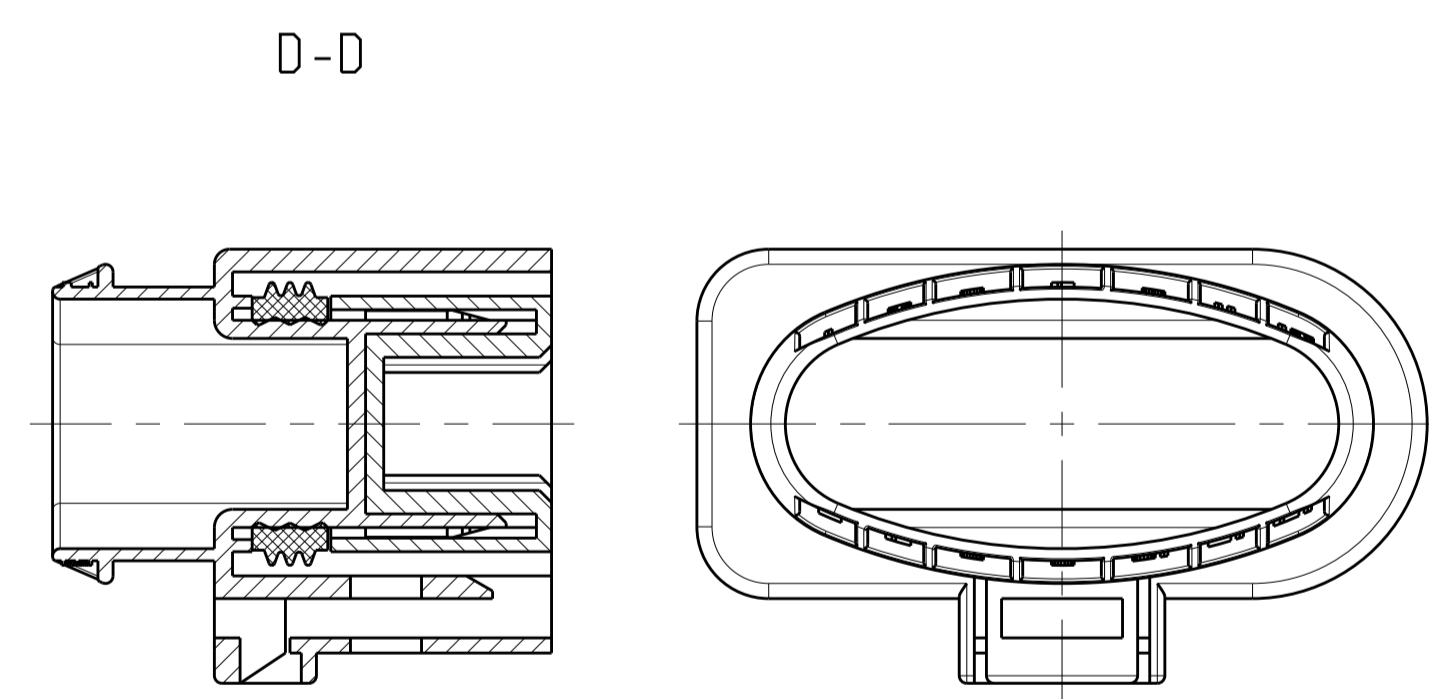
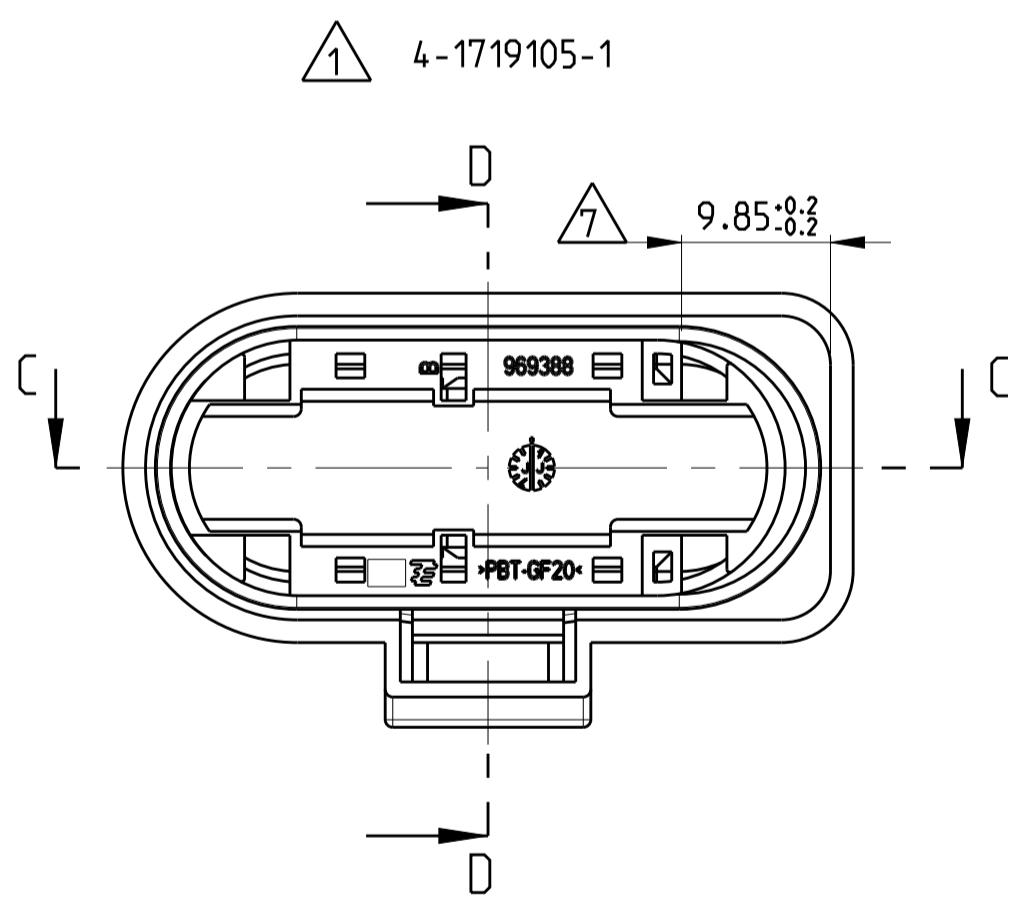
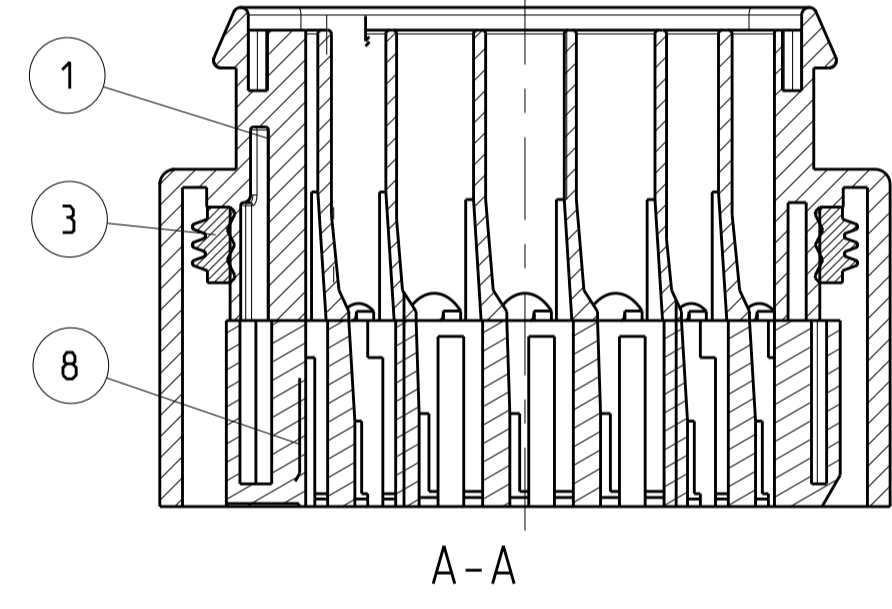
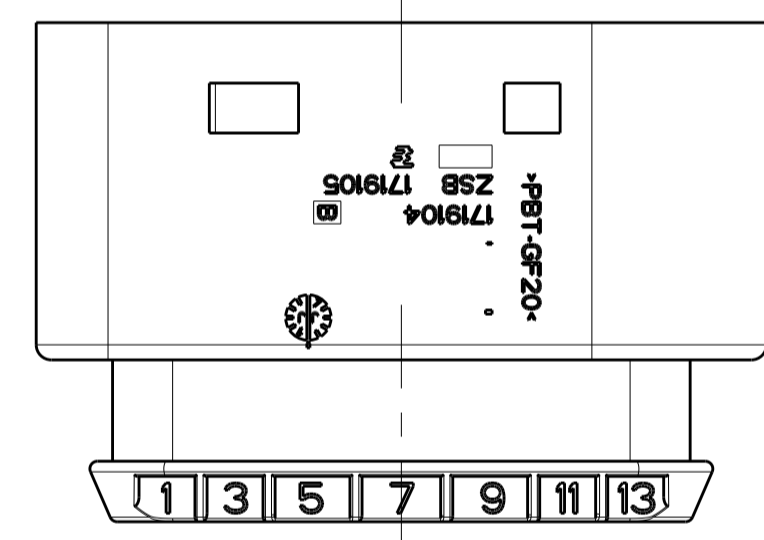
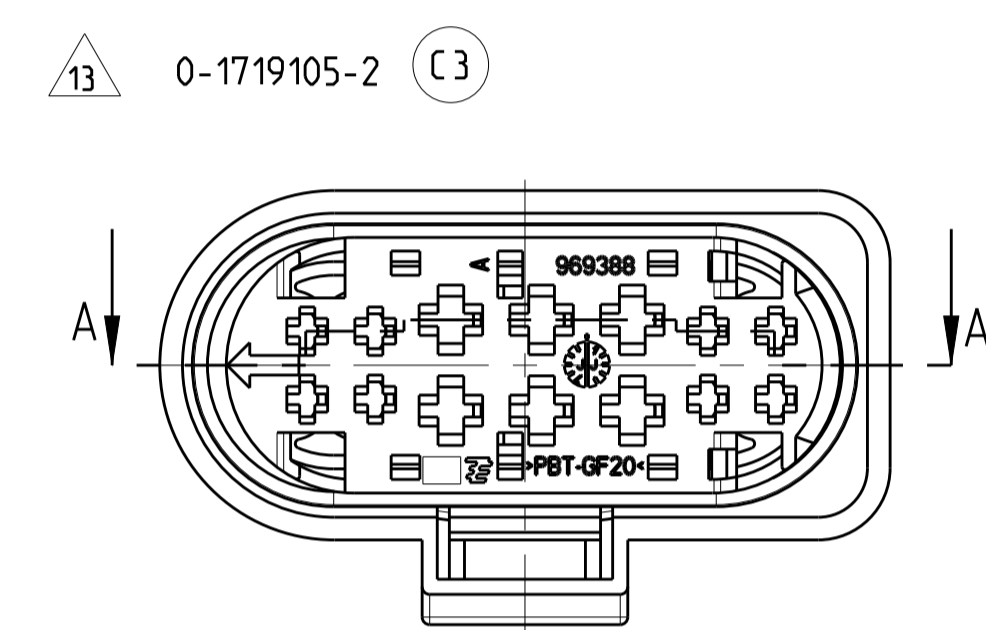
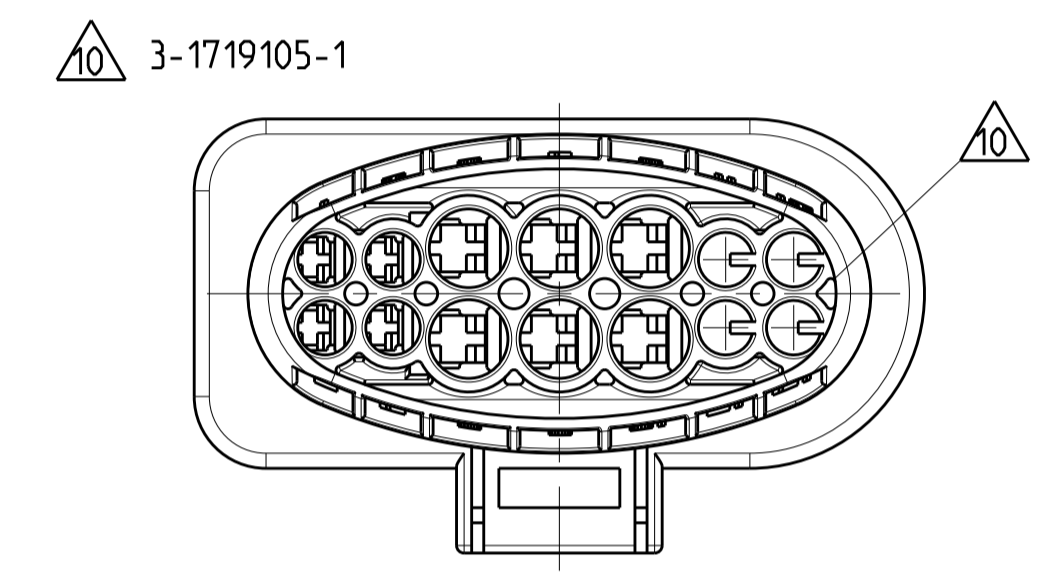
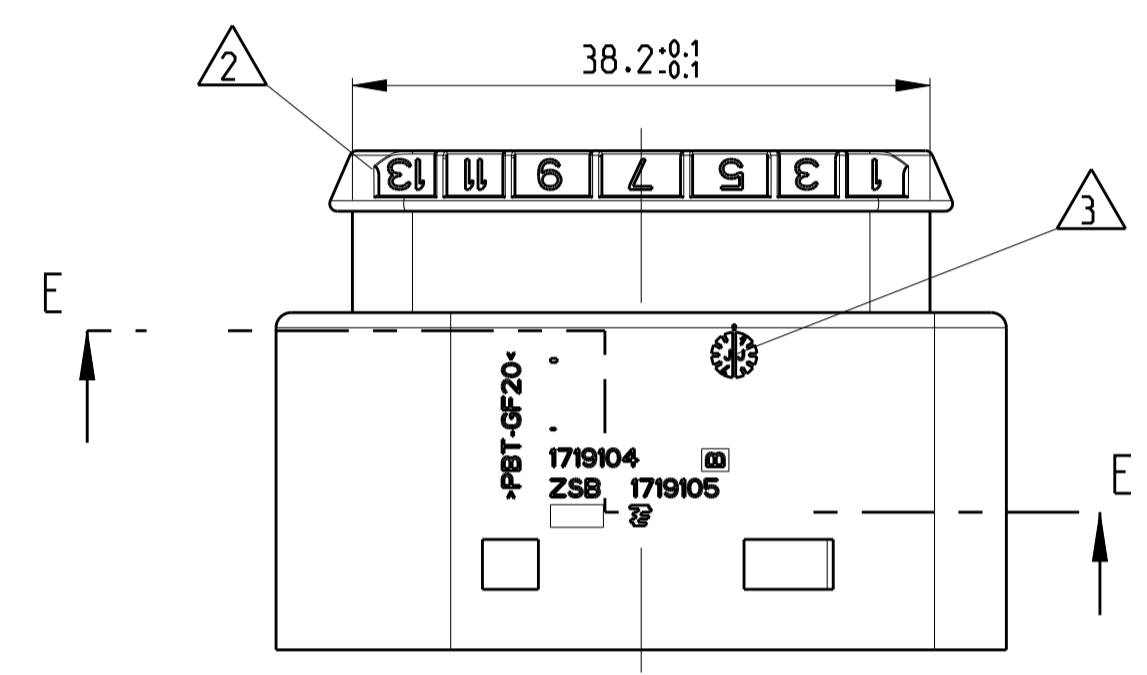
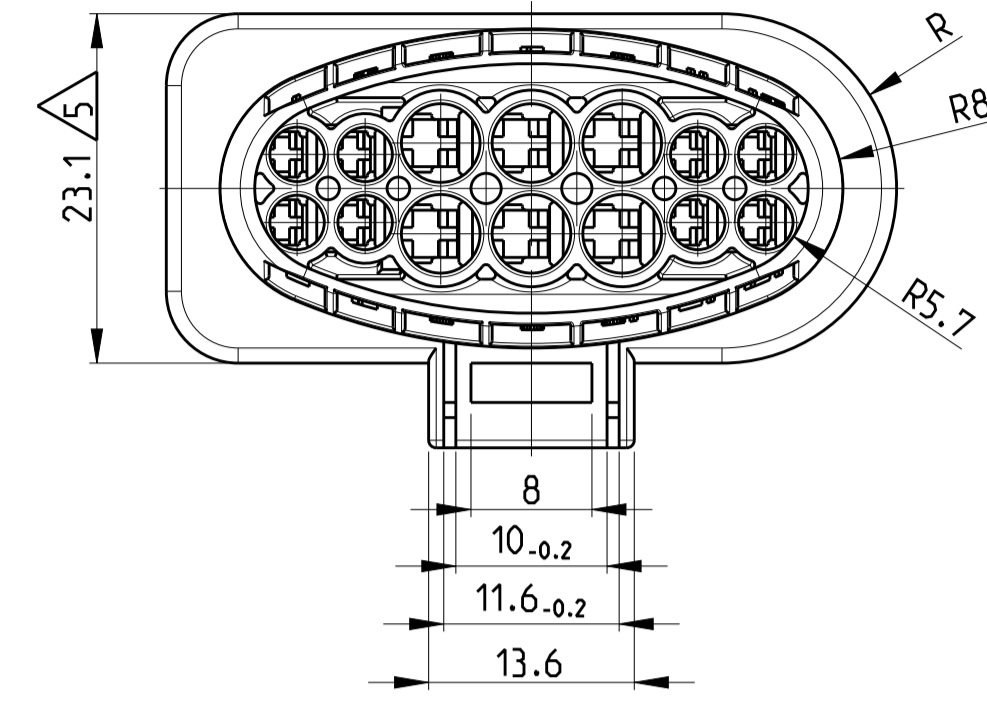
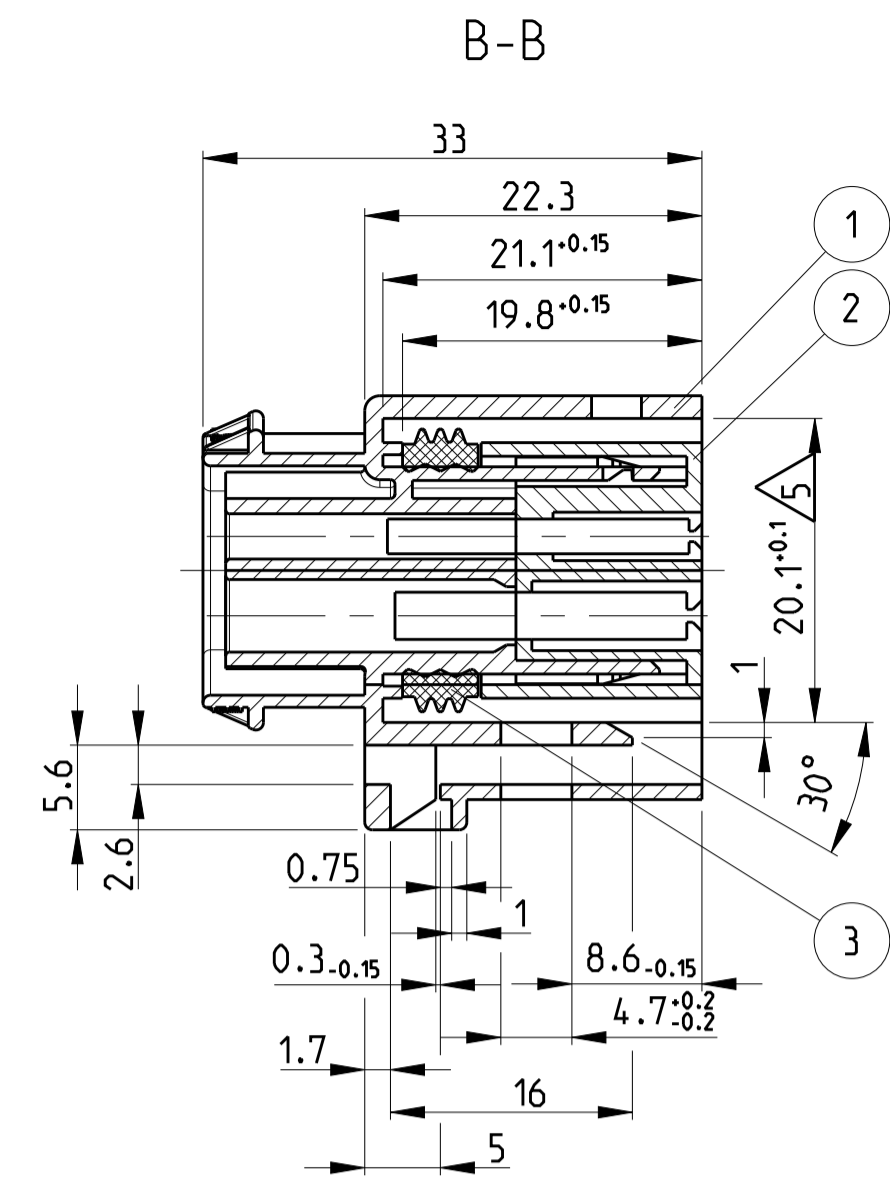
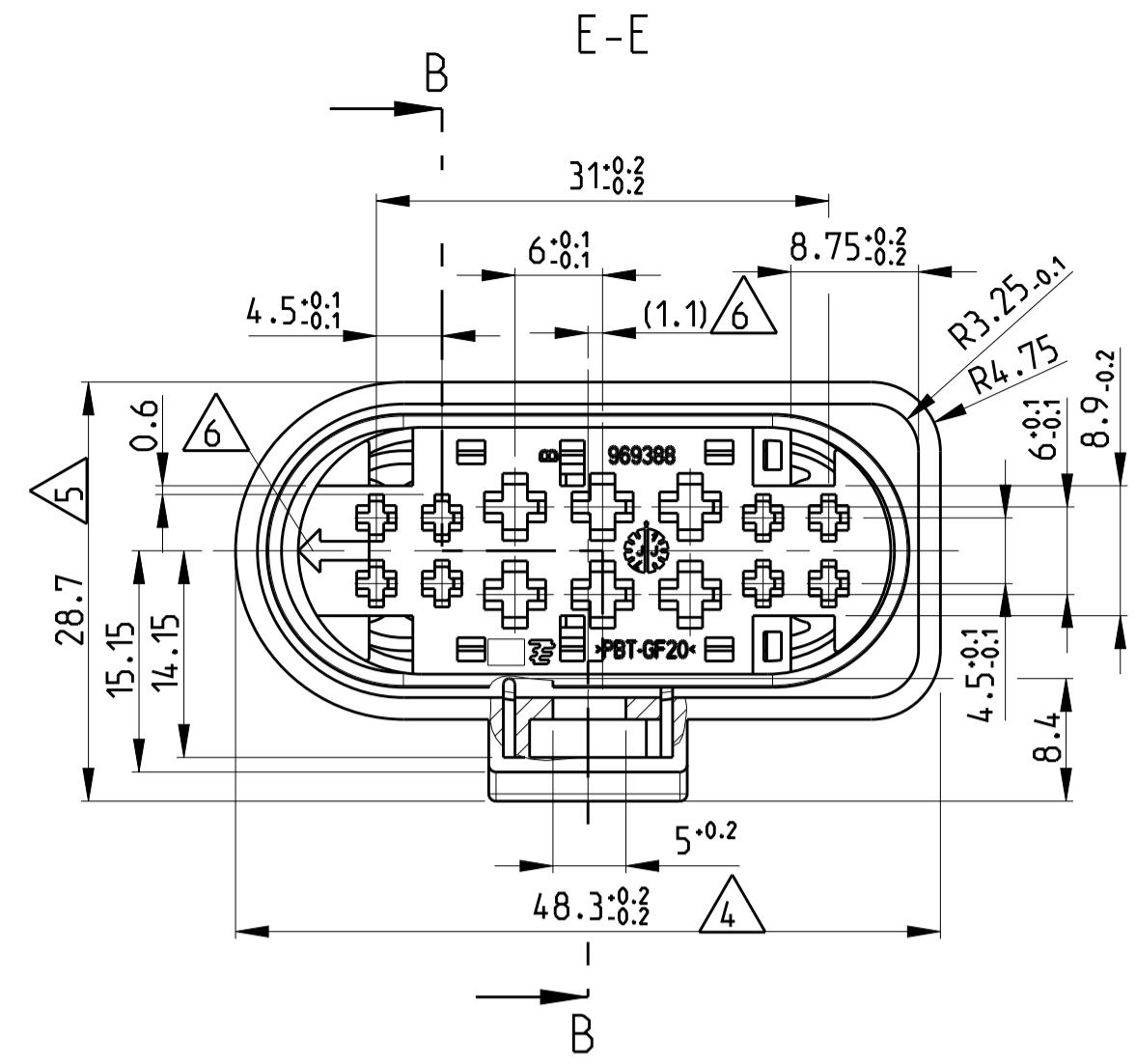
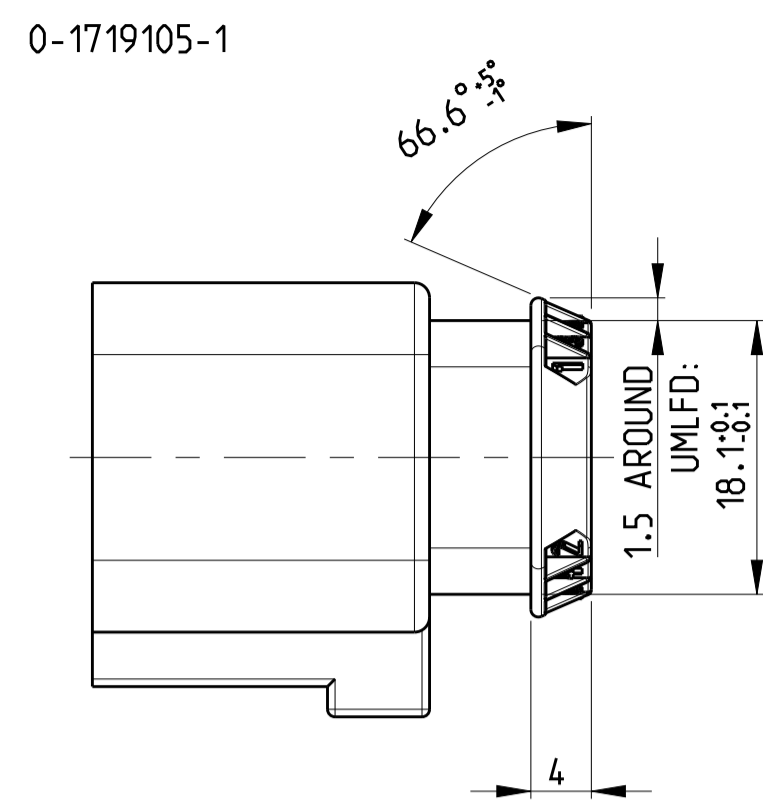


PROJECT NO. EGATN05213		REVISIONS			
P	LTR	DESCRIPTION	DATE	DWN	APVD
C		SAVING CORES	26MAR2010	K.G	Thiel
C1		SYSTEM FAILURE CORRECTED	03SEP2010	TS	Thiel
C2		5-1719105-1 ACTIVATED	10OC12017	MKS	ACH
C3		0-1719105-2 INCLUDED	22JAN2018	PK	ACH



- NOTES
BEMERKUNGEN
- DEAD END HOUSING ASSEMBLY, 14 POSITION, RADIAL SEAL, Junior-Power-Timer/Micro-Timer 2
 - BLINDGEHAUSE KOMPLETT, 14POLIG, RADIALDICHT, Junior-Power-Timer/Micro-Timer 2
 - CONTACT CAVITY NUMBER: CHARACTERS 2.5 RECEDE 0.3
KONTAKTKAMMERNUMMER: SCHRIFTHOEHE 2.5 VERTIEFT 0.3
 - DATE OF PRODUCTION WITH DATE INSERT Ø3
PRODUKTIONSdatum MIT DATUMSUHR Ø3
 - ALLOWED WARPAGE ±0.3
ZULAESSIGER VERZUG ±0.3
 - ALLOWED WARPAGE -0.5
ZULAESSIGER VERZUG -0.5
 - SHOWN AS SUPPLIED: RETAINER IN PRELOCKED POSITION.
AFTER CONTACT LOADING TO DRIFT IN THIS DIRECTION (1. IMM)
 - LIEFERZUSTAND GEZEICHNET: VERRIEGELUNG IN VORRASTSTELLUNG.
NACH KONTAKTBESTUECKUNG IN DIESER RICHTUNG VERSCHIEBEN (1. IMM)
 - SHOWN AS SUPPLIED: RETAINER IN ENDOCKED POSITION.
LIEFERZUSTAND GEZEICHNET: VERRIEGELUNG IN ENDRASTSTELLUNG
 - THE PART NO 1719105 ASSEMBLED FOR EXAMPLE WITH CONTACT 964274-2/964286-2 AND SEALING 964972-1/963294-1 WILL HAVE THE SUITABLE MATING PART 969871
 - DAS TEIL 1719105 WIRD Z.B. MIT DEM KONTAKT 964274-2/964286-2 UND EINZELADERDICHTUNG 964972-1/963294-1 BESTUECKT AUF DAS TEIL 969871 GESTECKT
 - BULK PACKAGED
VERPACKT ALS SCHUETTUT
 - CONTACT CAVITY NO 11, 12, 13 AND 14 CLOSED
KAMMER 11, 12, 13 und 14 GESCHLOSSEN
 - MARKING DEVIATIONS AT PARTS FROM OLDER MOLDS ARE ALLOWED
ABWEICHENDE BESCHRIFTUNG AUS ALTWERKZEUGEN ZULAESSIG
 - CONTACT CAVITY NO 3, 4, 6, 7, 8, 11, 12, 13 AND 14 CLOSED
KAMMER 3, 4, 6, 7, 8, 11, 12, 13 und 14 GESCHLOSSEN
 - VARIANTE MIT VERSCHIEBEFASEN
VARIANT WITH SHIFTING CHAMFERS

REV	TE NO	REV	MATERIAL	COLOR	DESCRIPTION	QTY	ITEM NO
12	5-1719105-1	C	MVQ	ORANGE	SEALING. ...	1	3
			PBT-GF20	VIOLET	REC HOUSING. 14 POSN. ...	1	2
			PBT-GF20	BLACK	COVER HOUSING. 5 POSN. ...	1	7
1	4-1719105-1	C	MVQ	ORANGE	SEALING. ...	1	3
			PBT-GF20	VIOLET	SEALING LOCK. ...	1	6
			PBT-GF20	BLACK	DEAD END COVER HOUSING....	1	5
10	3-1719105-1	C	MVQ	ORANGE	SEALING. ...	1	3
			PBT-GF20	VIOLET	REC HOUSING. 14 POSN. ...	1	2
			PBT-GF20	BLACK	COVER HOUSING. 10 POSN. ...	1	4
13	0-1719105-2	B	MVQ	ORANGE	SEALING. ...	1	3
			PBT-GF20	BLUE	REC HOUSING. 14 POSN. ...	1	8
			PBT-GF20	BLACK	COVER HOUSING. 14 POSN. ...	1	1
	1719105-1	C	MVQ	ORANGE	SEALING. ...	1	3
			PBT-GF20	VIOLET	REC HOUSING. 14 POSN. ...	1	2
			PBT-GF20	BLACK	COVER HOUSING. 14 POSN. ...	1	1

THIS DRAWING IS A CONTROLLED DOCUMENT. DATE: 03-SEP-10. CHK: K.Gossen. DATE: 09-JUN-05. CHK: F.Thiel. DATE: 09-JUN-05. APVD: S.Glasgr. NAME: RECEPTACLE HOUSING ASSEMBLY, 14 POSITION, RADIAL SEAL. Junior-Power-Timer/ Micro-Timer 2. FLACHKONTAKTGEHAUSE KOMPLETT, 14POLIG, RADIALDICHT.

TE CONNECTIVITY

SCALE: 5:1. SHEET: 1 OF 1. REV: C3

MISSING DIMENSION SEE 0-1719105-1

X-ON Electronics

Largest Supplier of Electrical and Electronic Components

Click to view similar products for [Automotive Connectors](#) category:

Click to view products by [TE Connectivity](#) manufacturer:

Other Similar products are found below :

[003-018-000](#) [60403001](#) [60993906-B](#) [M902-2131](#) [M902-2161](#) [M902-2344](#) [72.330.1035.1](#) [73.353.4028.0](#) [F119300-B](#) [F166900](#) [F258300-B](#)
[F358300-B](#) [F407400](#) [F444110](#) [F487000](#) [F509500B-B](#) [827153-1](#) [8N1515-32-24P](#) [9-1326729-8](#) [925474-1](#) [928905-1](#) [964562-4](#) [968782-1](#)
[GT17SA-8DS-HU](#) [98891-1012](#) [98947-1016](#) [12004147](#) [12004475-L](#) [12010290](#) [12010309-B](#) [12015454](#) [12020219-B](#) [12041318-B](#) [12052225-](#)
[L](#) [12052466](#) [12064869](#) [12004327-B](#) [12015308](#) [12015384](#) [12015909](#) [1-21030-1](#) [12041254](#) [12041318](#) [12047946-B](#) [12047957](#) [12047957-L](#)
[12059473](#) [12066261](#) [12110546](#) [12110546-B](#)