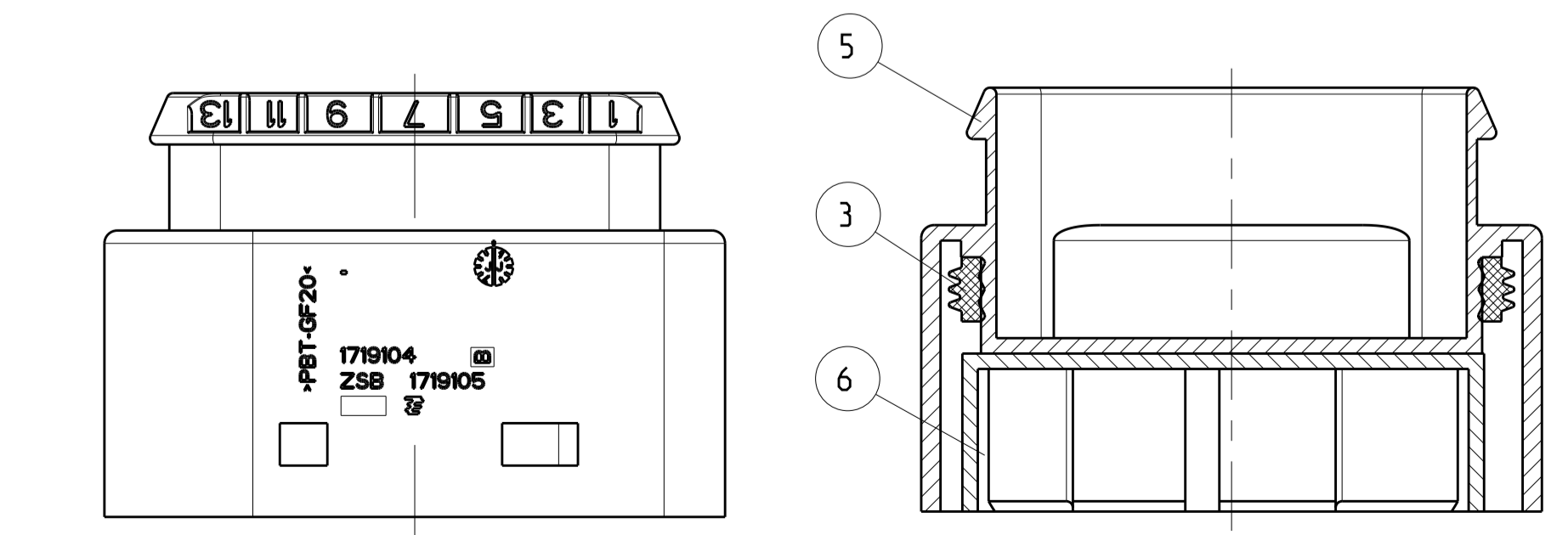
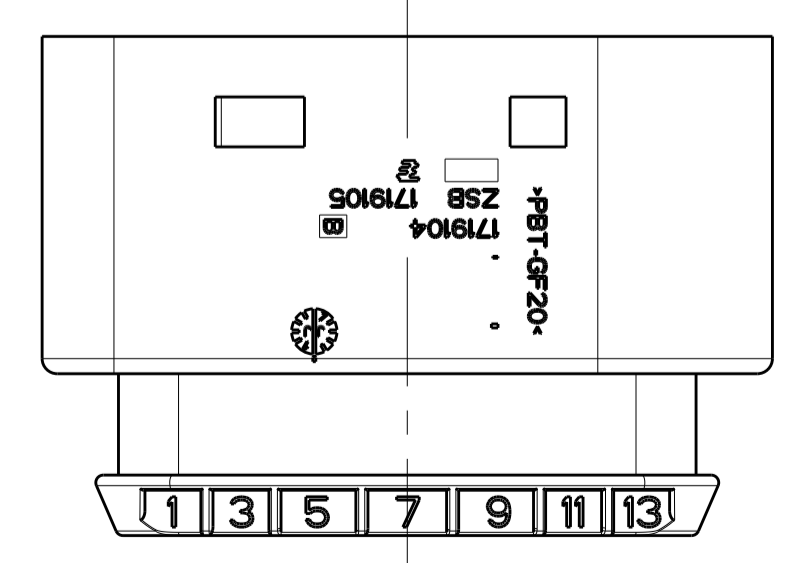
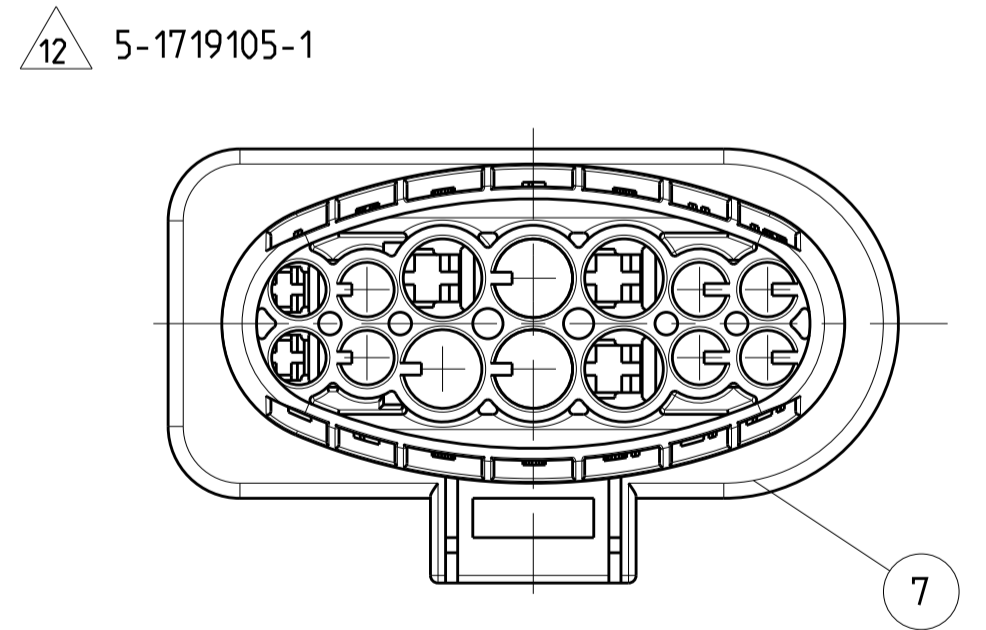
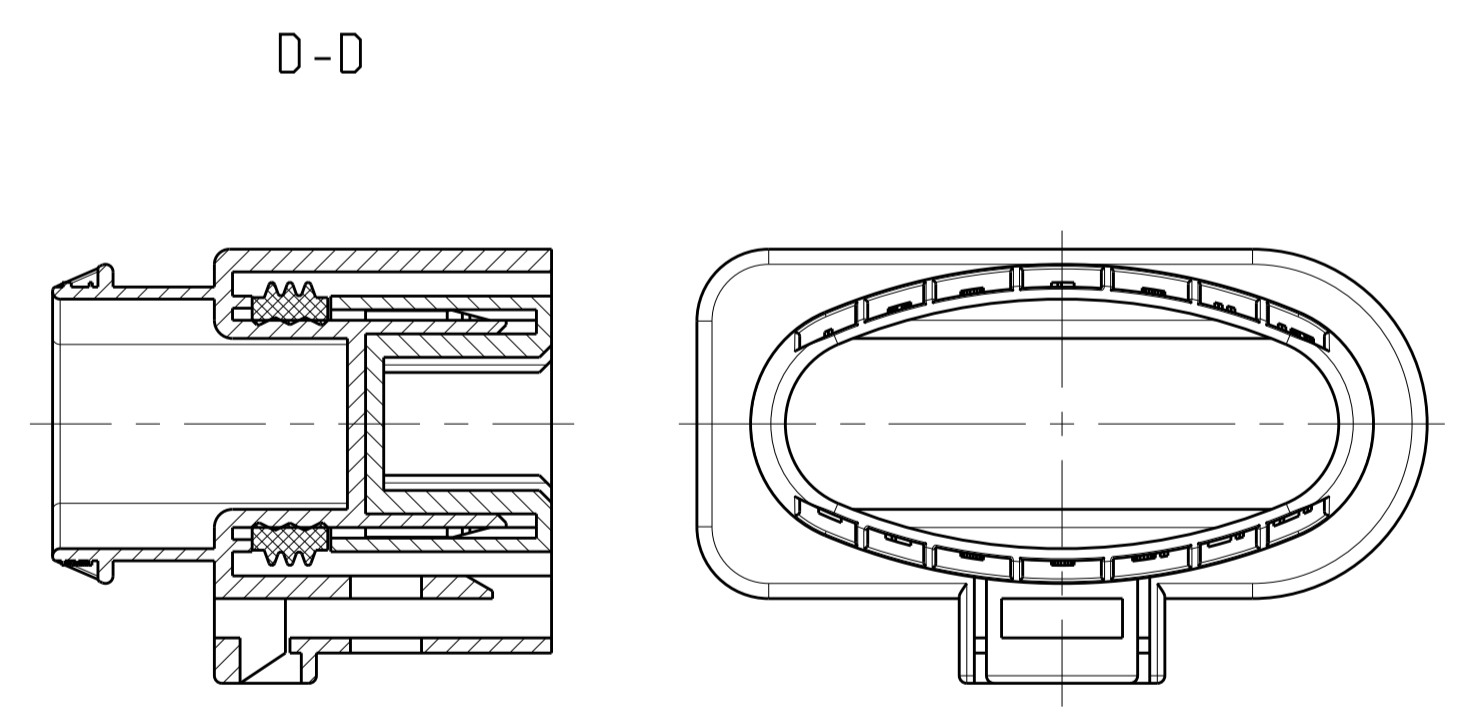
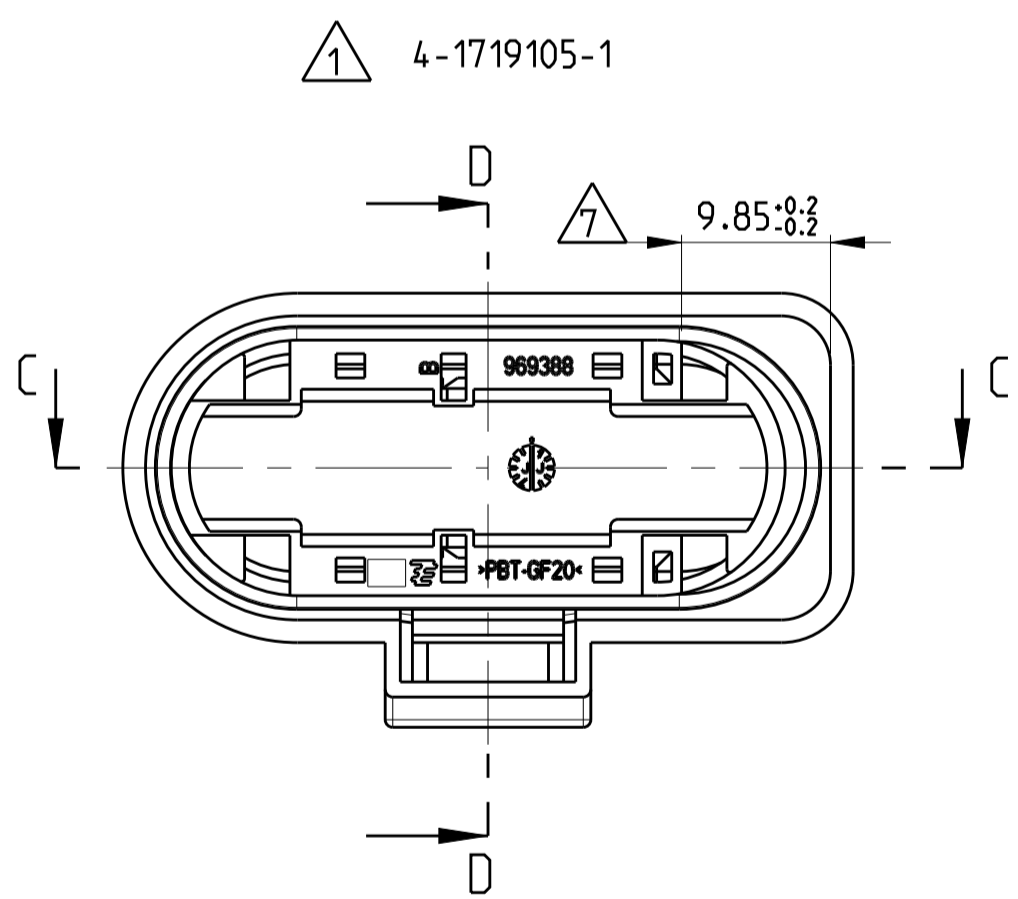
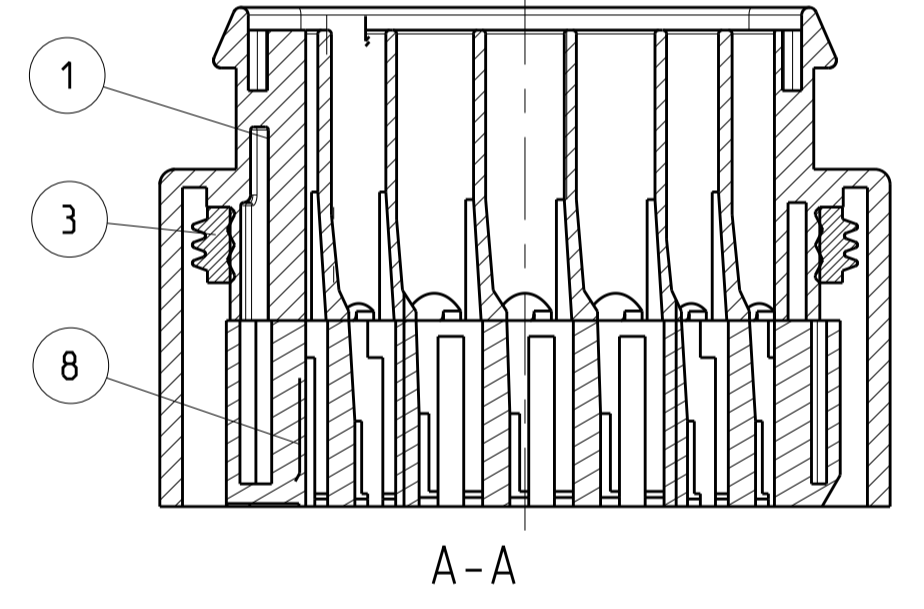
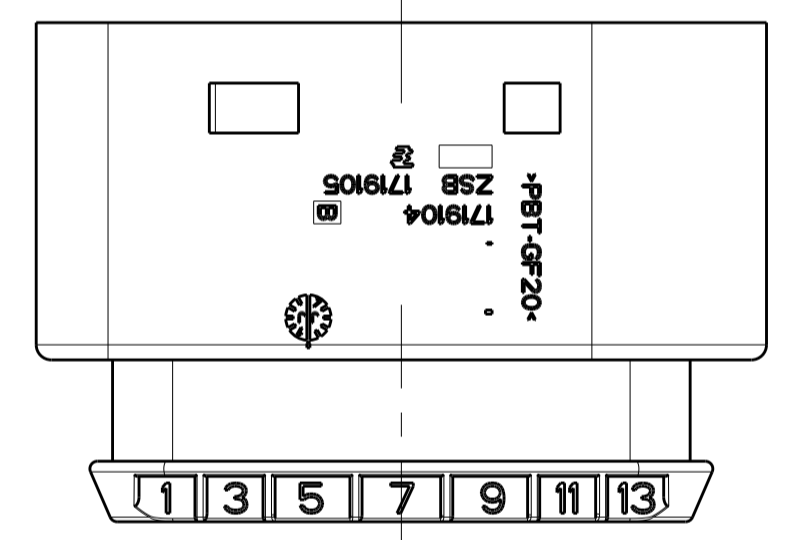
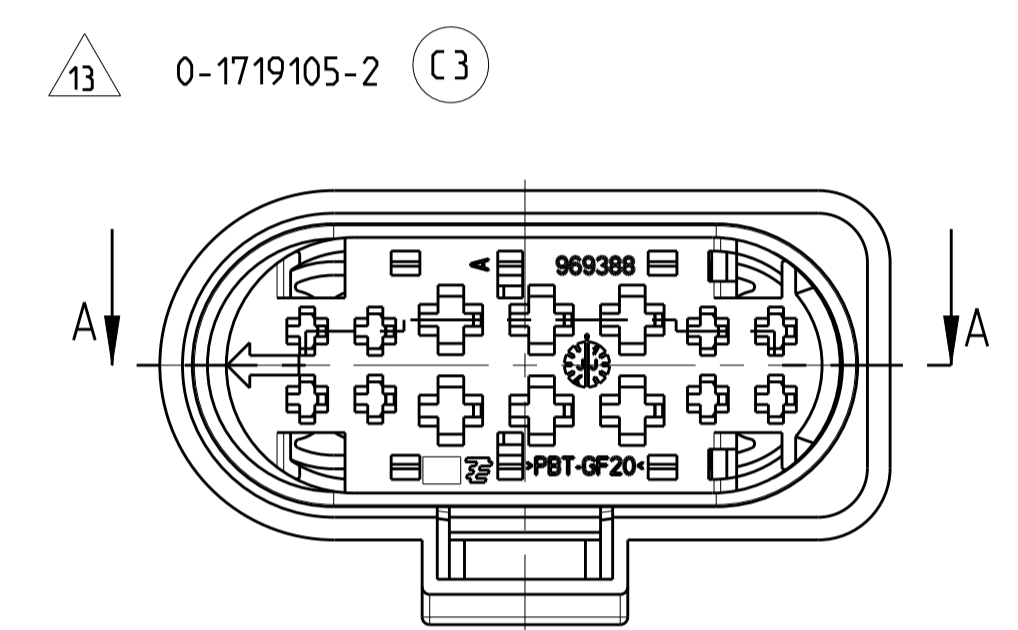
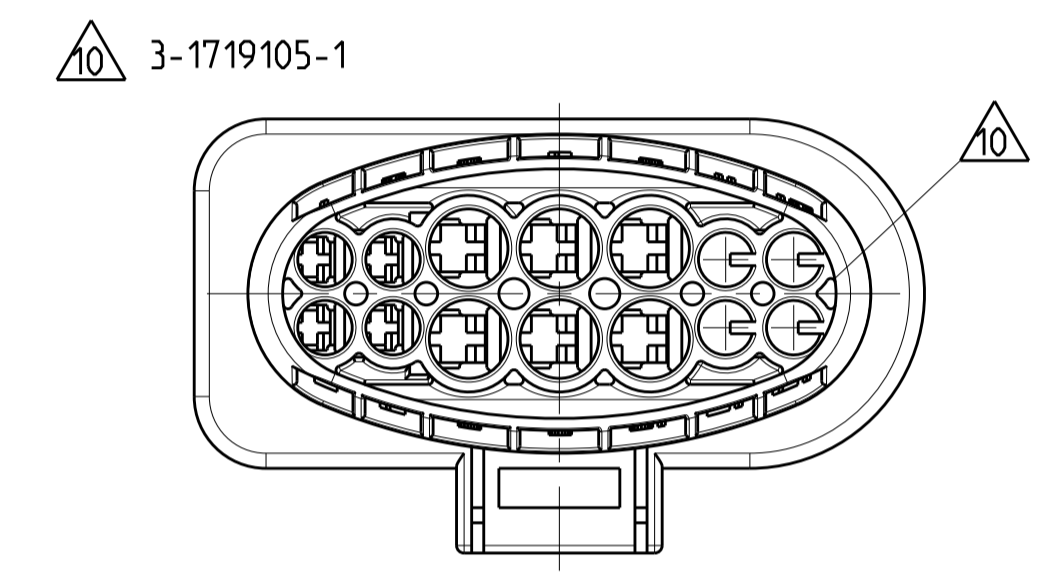
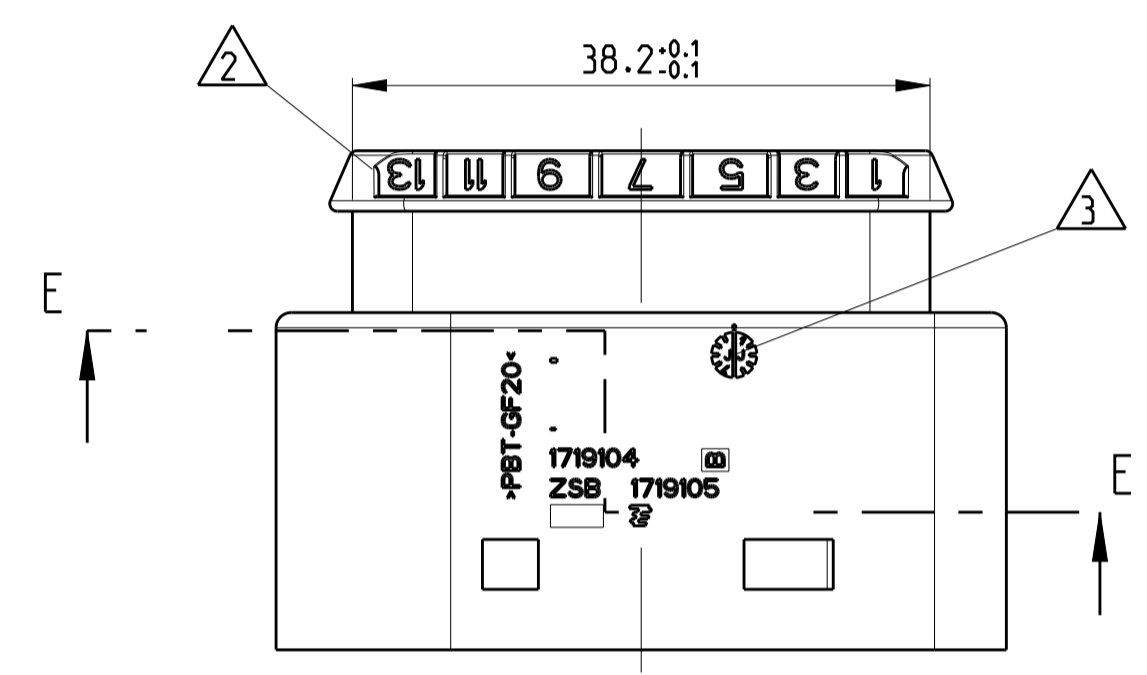
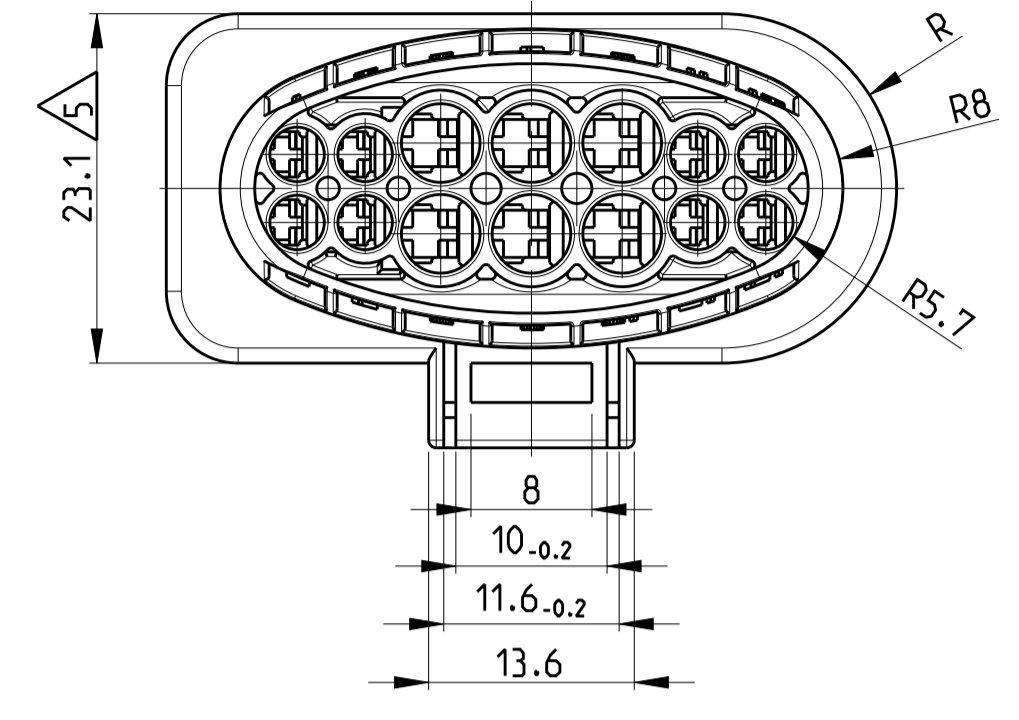
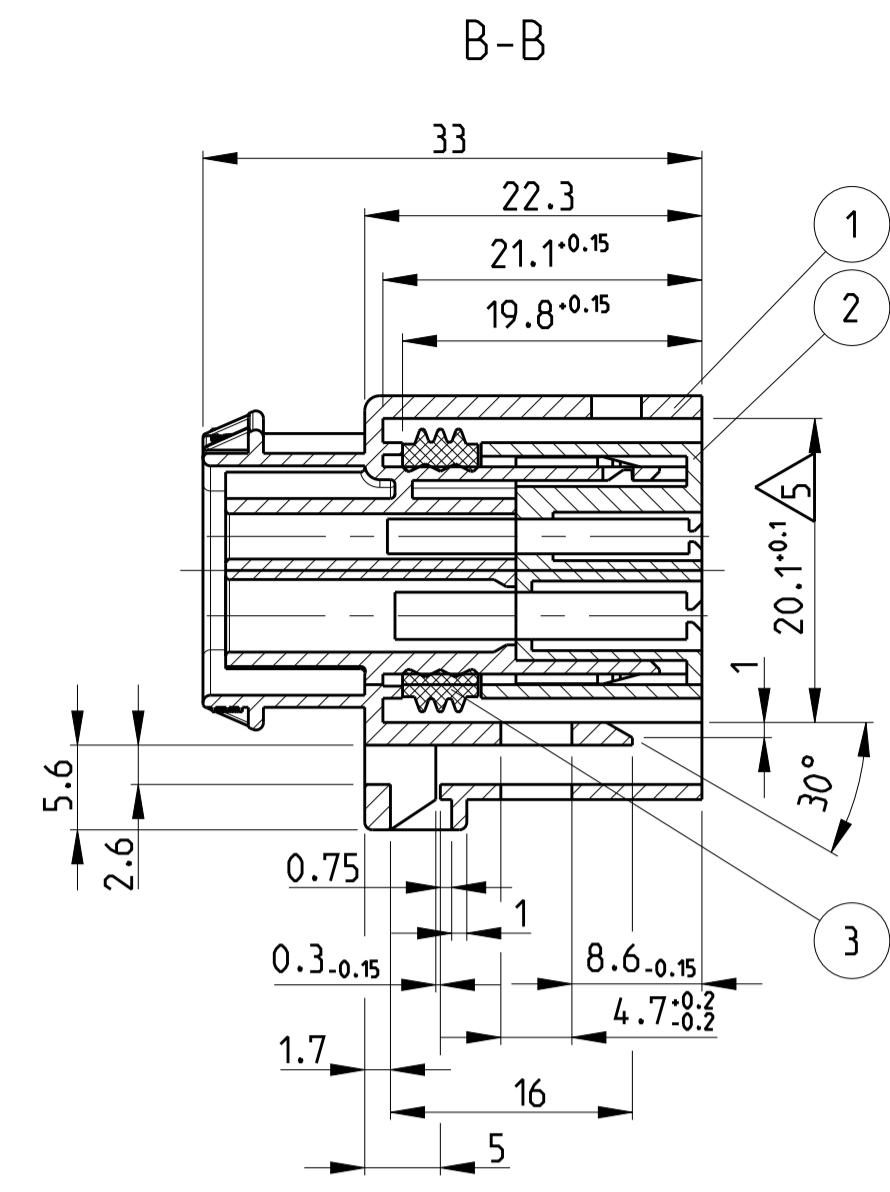
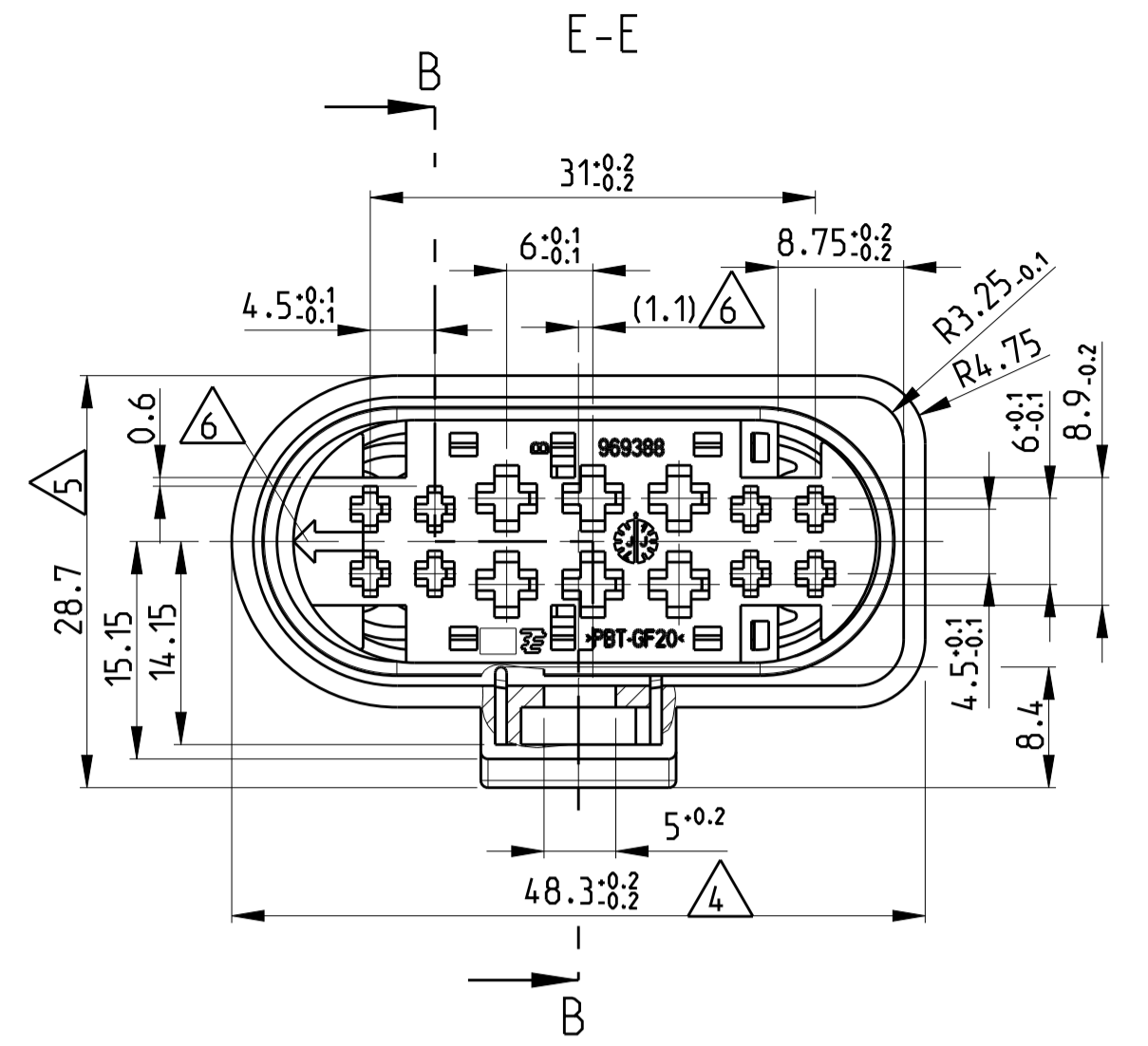
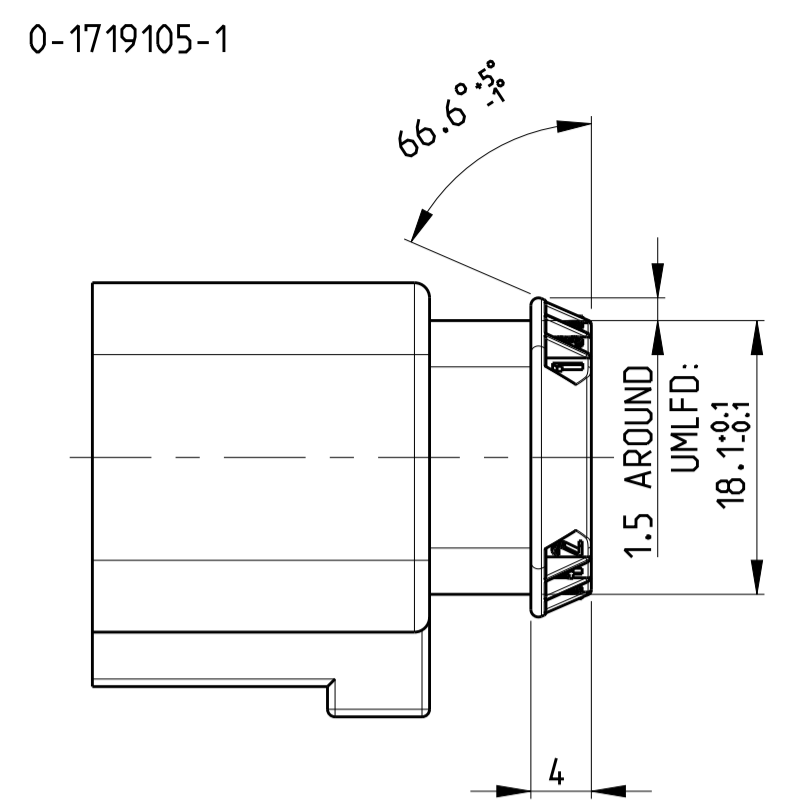


REV	DATE	BY	CHKD	DESCRIPTION
C	26MAR2010	K.G	Thiel	SAVING CORES
C1	03SEP2010	TS	Thiel	SYSTEM FAILURE CORRECTED
C2	100C 12017	MKS	ACH	5-1719105-1 ACTIVATED
C3	22JAN2018	PK	ACH	0-1719105-2 INCLUDED



- NOTES
BEMERKUNGEN
- DEAD END HOUSING ASSEMBLY, 14 POSITION, RADIAL SEAL, Junior-Power-Timer/Micro-Timer 2
 - BLINDGEHAUSE KOMPLETT, 14POLIG, RADIALDICHT, Junior-Power-Timer/Micro-Timer 2
 - CONTACT CAVITY NUMBER: CHARACTERS 2.5 RECEDE 0.3 KONTAKTKAMMERNUMMER: SCHRIFTHOEHE 2.5 VERTIEFT 0.3
 - DATE OF PRODUCTION WITH DATE INSERT Ø3 PRODUKTIONSdatum MIT DATUMSUHR Ø3
 - ALLOWED WARPAGE ±0.3 ZULAESSIGER VERZUG ±0.3
 - ALLOWED WARPAGE -0.5 ZULAESSIGER VERZUG -0.5
 - SHOWN AS SUPPLIED: RETAINER IN PRELOCKED POSITION. AFTER CONTACT LOADING TO DRIFT IN THIS DIRECTION (1. IMM)
 - LIEFERZUSTAND GEZEICHNET: VERRIEGELUNG IN VORRASTSTELLUNG. NACH KONTAKTBESTUECKUNG IN DIESER RICHTUNG VERSCHIEBEN (1. IMM)
 - SHOWN AS SUPPLIED: RETAINER IN ENDOCKED POSITION. LIEFERZUSTAND GEZEICHNET: VERRIEGELUNG IN ENDRASTSTELLUNG
 - THE PART NO 1719105 ASSEMBLED FOR EXAMPLE WITH CONTACT 964274-2/964286-2 AND SEALING 964972-1/963294-1 WILL HAVE THE SUITABLE MATING PART 969871
 - DAS TEIL 1719105 WIRD Z.B. MIT DEM KONTAKT 964274-2/964286-2 UND EINZELADERDICHTUNG 964972-1/963294-1 BESTUECKT AUF DAS TEIL 969871 GESTECKT
 - BULK PACKAGED VERPACKT ALS SCHUETTUTGUT
 - CONTACT CAVITY NO 11, 12, 13 AND 14 CLOSED KAMMER 11, 12, 13 und 14 GESCHLOSSEN
 - MARKING DEVIATIONS AT PARTS FROM OLDER MOLDS ARE ALLOWED ABWEICHENDE BESCHRIFTUNG AUS ALTWERKZEUGEN ZULAESSIG
 - CONTACT CAVITY NO 3, 4, 6, 7, 8, 11, 12, 13 AND 14 CLOSED KAMMER 3, 4, 6, 7, 8, 11, 12, 13 und 14 GESCHLOSSEN
 - VARIANTE MIT VERSCHIEBEFASEN VARIANT WITH SHIFTING CHAMFERS

REV	DATE	BY	CHKD	DESCRIPTION	QTY	ITEM NO
12	5-1719105-1	C	MVQ	ORANGE	SEALING. ...	1 3
			PBT-GF20	VIOLET	REC HOUSING. 14 POSN. ...	1 2
			PBT-GF20	BLACK	COVER HOUSING. 5 POSN. ...	1 7
1	4-1719105-1	C	MVQ	ORANGE	SEALING. ...	1 3
			PBT-GF20	VIOLET	SEALING LOCK. ...	1 6
			PBT-GF20	BLACK	DEAD END COVER HOUSING....	1 5
10	3-1719105-1	C	MVQ	ORANGE	SEALING. ...	1 3
			PBT-GF20	VIOLET	REC HOUSING. 14 POSN. ...	1 2
			PBT-GF20	BLACK	COVER HOUSING. 10 POSN. ...	1 4
13	0-1719105-2	B	MVQ	ORANGE	SEALING. ...	1 3
			PBT-GF20	BLUE	REC HOUSING. 14 POSN. ...	1 8
			PBT-GF20	BLACK	COVER HOUSING. 14 POSN. ...	1 1
			MVQ	ORANGE	SEALING. ...	1 3
			PBT-GF20	VIOLET	REC HOUSING. 14 POSN. ...	1 2
			PBT-GF20	BLACK	COVER HOUSING. 14 POSN. ...	1 1

TE NO	REV	MATERIAL	COLOR	DESCRIPTION	QTY	ITEM NO
5-1719105-1	C	MVQ	ORANGE	SEALING. ...	1	3
5-1719105-1	C	PBT-GF20	VIOLET	REC HOUSING. 14 POSN. ...	1	2
5-1719105-1	C	PBT-GF20	BLACK	COVER HOUSING. 5 POSN. ...	1	7
4-1719105-1	C	MVQ	ORANGE	SEALING. ...	1	3
4-1719105-1	C	PBT-GF20	VIOLET	SEALING LOCK. ...	1	6
4-1719105-1	C	PBT-GF20	BLACK	DEAD END COVER HOUSING....	1	5
3-1719105-1	C	MVQ	ORANGE	SEALING. ...	1	3
3-1719105-1	C	PBT-GF20	VIOLET	REC HOUSING. 14 POSN. ...	1	2
3-1719105-1	C	PBT-GF20	BLACK	COVER HOUSING. 10 POSN. ...	1	4
0-1719105-2	B	MVQ	ORANGE	SEALING. ...	1	3
0-1719105-2	B	PBT-GF20	BLUE	REC HOUSING. 14 POSN. ...	1	8
0-1719105-2	B	PBT-GF20	BLACK	COVER HOUSING. 14 POSN. ...	1	1
1719105-1	C	MVQ	ORANGE	SEALING. ...	1	3
1719105-1	C	PBT-GF20	VIOLET	REC HOUSING. 14 POSN. ...	1	2
1719105-1	C	PBT-GF20	BLACK	COVER HOUSING. 14 POSN. ...	1	1

REV	DATE	BY	CHKD	DESCRIPTION
03-SEP-10	03-SEP-10	K. Gossen	F. Thiel	SAVING CORES
09-JUN-05	09-JUN-05	F. Thiel	F. Thiel	SYSTEM FAILURE CORRECTED
09-JUN-05	09-JUN-05	S. Glaser	F. Thiel	5-1719105-1 ACTIVATED
22-JAN-18	22-JAN-18	PK	ACH	0-1719105-2 INCLUDED

REV	DATE	BY	CHKD	DESCRIPTION
1	03-SEP-10	K. Gossen	F. Thiel	SAVING CORES
1	09-JUN-05	F. Thiel	F. Thiel	SYSTEM FAILURE CORRECTED
1	09-JUN-05	S. Glaser	F. Thiel	5-1719105-1 ACTIVATED
1	22-JAN-18	PK	ACH	0-1719105-2 INCLUDED

REV	DATE	BY	CHKD	DESCRIPTION
1	03-SEP-10	K. Gossen	F. Thiel	SAVING CORES
1	09-JUN-05	F. Thiel	F. Thiel	SYSTEM FAILURE CORRECTED
1	09-JUN-05	S. Glaser	F. Thiel	5-1719105-1 ACTIVATED
1	22-JAN-18	PK	ACH	0-1719105-2 INCLUDED

REV	DATE	BY	CHKD	DESCRIPTION
1	03-SEP-10	K. Gossen	F. Thiel	SAVING CORES
1	09-JUN-05	F. Thiel	F. Thiel	SYSTEM FAILURE CORRECTED
1	09-JUN-05	S. Glaser	F. Thiel	5-1719105-1 ACTIVATED
1	22-JAN-18	PK	ACH	0-1719105-2 INCLUDED

MISSING DIMENSION SEE 0-1719105-1

X-ON Electronics

Largest Supplier of Electrical and Electronic Components

Click to view similar products for [Automotive Connectors](#) category:

Click to view products by [TE Connectivity](#) manufacturer:

Other Similar products are found below :

[003-018-000](#) [60403001](#) [60993906-B](#) [M902-2131](#) [M902-2161](#) [M902-2344](#) [72.330.1035.1](#) [73.353.4028.0](#) [F119300-B](#) [F166900](#) [F258300-B](#)
[F358300-B](#) [F407400](#) [F444110](#) [F487000](#) [F509500B-B](#) [827153-1](#) [8N1515-32-24P](#) [9-1326729-8](#) [925474-1](#) [928905-1](#) [964562-4](#) [968782-1](#)
[GT17SA-8DS-HU](#) [98891-1012](#) [98947-1016](#) [12004147](#) [12004475-L](#) [12010290](#) [12010309-B](#) [12015454](#) [12020219-B](#) [12041318-B](#) [12052225-](#)
[L](#) [12052466](#) [12064869](#) [12004327-B](#) [12015308](#) [12015384](#) [12015909](#) [1-21030-1](#) [12041254](#) [12041318](#) [12047946-B](#) [12047957](#) [12047957-L](#)
[12059473](#) [12066261](#) [12110546](#) [12110546-B](#)