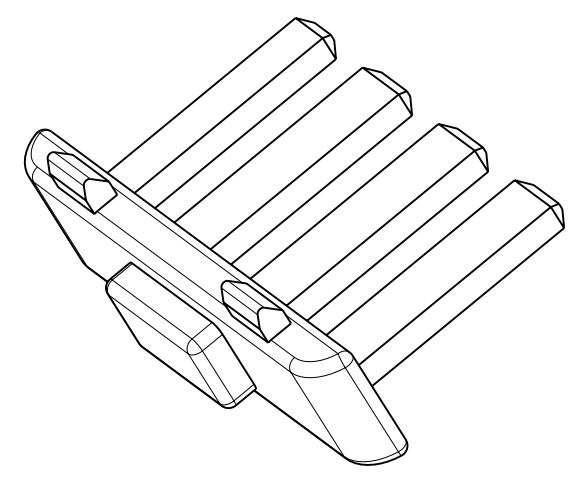
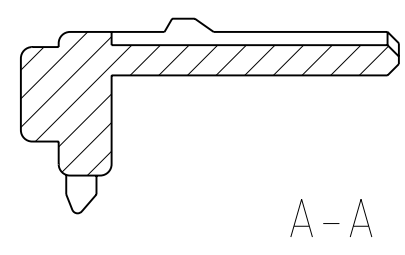
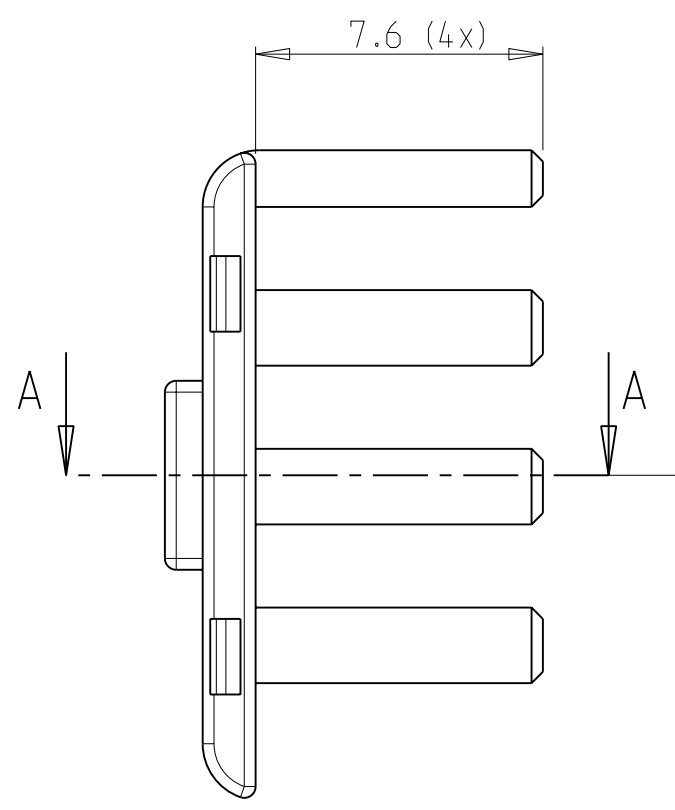
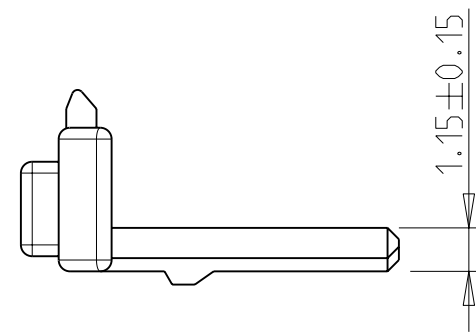
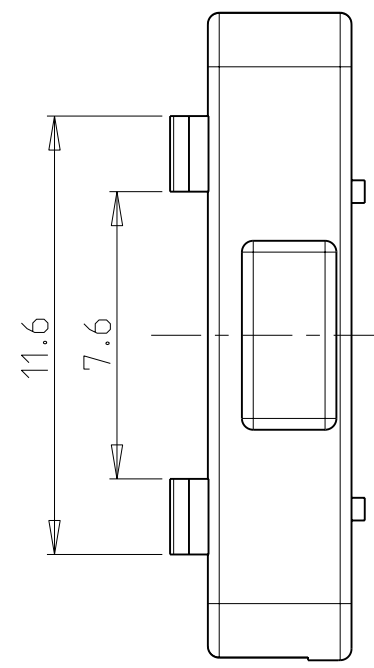
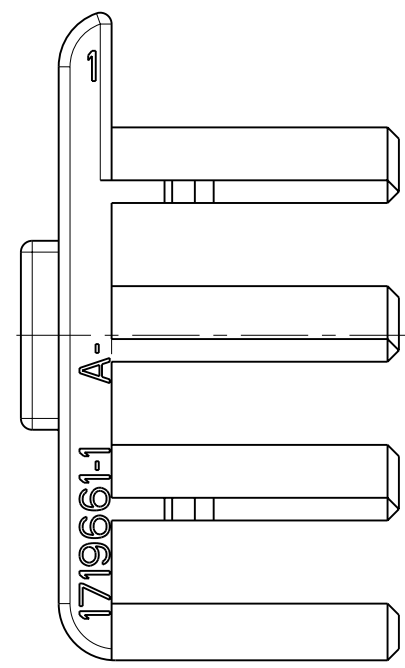
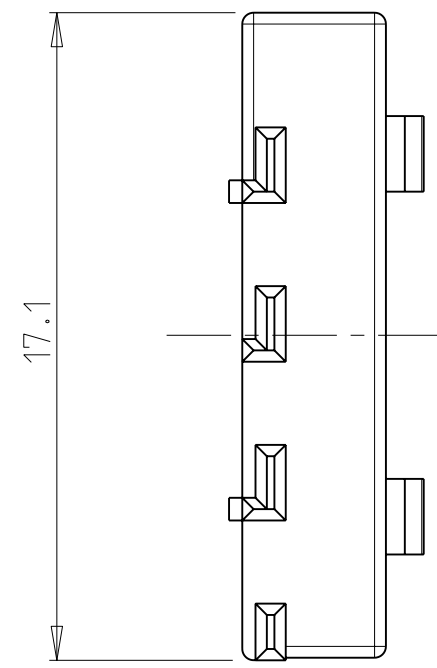


THIS DRAWING IS UNPUBLISHED
 RELEASED FOR PUBLICATION
 2006
 © COPYRIGHT 2006 BY TYCO ELECTRONICS CORPORATION. ALL RIGHTS RESERVED.

| LOC | DIST | REVISIONS | | | |
|-----|------|-----------------------|-----------|-----|------|
| P | LTR | DESCRIPTION | DATE | DWN | APVD |
| A | - | NEW PART, NEW DRAWING | 24MAY2006 | MK | KR |
| B | - | E-06-028097 | 04JAN2007 | MK | KR |
| B1 | - | E-07-028159 | 22NOV2007 | MK | GM |



- NOTES:
Bemerkungen:
- 1 PACKAGING: LOOSE PIECE IN CARDBOARD BOX
Verpackung: Teile lose beige stellt in Karton
 - 2 MATED WITH:
verwendet mit:
- | | |
|-------------------|-----------|
| REC. HSG. 32 POS. | 0-1719675 |
| REC. HSG. 32 POS. | 0-1719682 |
| REC. HSG. 32 POS. | 0-1418392 |
| REC. HSG. 32 POS. | 0-1670065 |
| REC. HSG. 32 POS. | 0-1670066 |
| REC. HSG. 48 POS. | 0-1719678 |
| REC. HSG. 48 POS. | 0-1719683 |
| REC. HSG. 48 POS. | 0-1418416 |
| REC. HSG. 48 POS. | 0-1670067 |
| REC. HSG. 48 POS. | 0-1670068 |
| REC. HSG. 48 POS. | 0-1670069 |

| 0-1719661-1 | B | PA66-GF25 | 2NDRY. LOCK FOR TYCO 1.5 TERMINALS | RED | 1 |
|-------------|----------|-----------|------------------------------------|--------|---------|
| PART NO | REVISION | MATERIAL | DESCRIPTION | COLOUR | ITEM NO |

| | | | | | |
|---|--|-----------------------------------|---|-----------------------|-----------------------|
| THIS DRAWING IS A CONTROLLED DOCUMENT FOR TYCO ELECTRONICS CORPORATION IT IS SUBJECT TO CHANGE AND THE CONTROLLING ENGINEERING ORGANIZATION SHOULD BE CONTACTED FOR THE LATEST REVISION. | | DWN M. Kressmann 19.05.2006 | tyco Electronics AMP GmbH D - 64625 Bensheim | | |
| DIMENSIONS: mm | | CHK K.Roth 24.05.2006 | NAME 2NDRY. LOCK FOR 32/48 POS. 2NDRY. LOCK | | |
| TOLERANCES UNLESS OTHERWISE SPECIFIED: 0 PLC ±0.3 1 PLC ±0.3 2 PLC ±0.3 3 PLC ± 4 PLC ± ANGLES ±1° FINISH | | APVD - | PRODUCT SPEC - | APPLICATION SPEC - | RESTRICTED TO - |
| MATERIAL - | | WEIGHT - | SIZE A2 | CAGE CODE 00779 | DRAWING NO 1719661 |
| CUSTOMER DRAWING | | | SCALE 5:1 | SHEET 1 OF 1 | REV B1 |

X-ON Electronics

Largest Supplier of Electrical and Electronic Components

Click to view similar products for [Automotive Connectors](#) category:

Click to view products by [TE Connectivity](#) manufacturer:

Other Similar products are found below :

[003-018-000](#) [60403001](#) [60993906-B](#) [M902-2131](#) [M902-2161](#) [72.330.1035.1](#) [73.353.4028.0](#) [F119300-B](#) [F166900](#) [F258300-B](#) [F358300-B](#)
[F407400](#) [F444110](#) [F487000](#) [F509500B-B](#) [827153-1](#) [8N1515-32-24P](#) [9-1326729-8](#) [925474-1](#) [928905-1](#) [964562-4](#) [968782-1](#) [GT17SA-8DS-](#)
[HU](#) [98891-1012](#) [98947-1016](#) [12004147](#) [12004475-L](#) [12010290](#) [12010309-B](#) [12015454](#) [12020219-B](#) [12020308](#) [12041318-B](#) [12052225-L](#)
[12052466](#) [12059125](#) [12064869](#) [12004327-B](#) [12010503-B](#) [12015308](#) [12015384](#) [12015909](#) [1-21030-1](#) [12041254](#) [12041318](#) [12047946-B](#)
[12047957](#) [12047957-L](#) [12059473](#) [12066261](#)