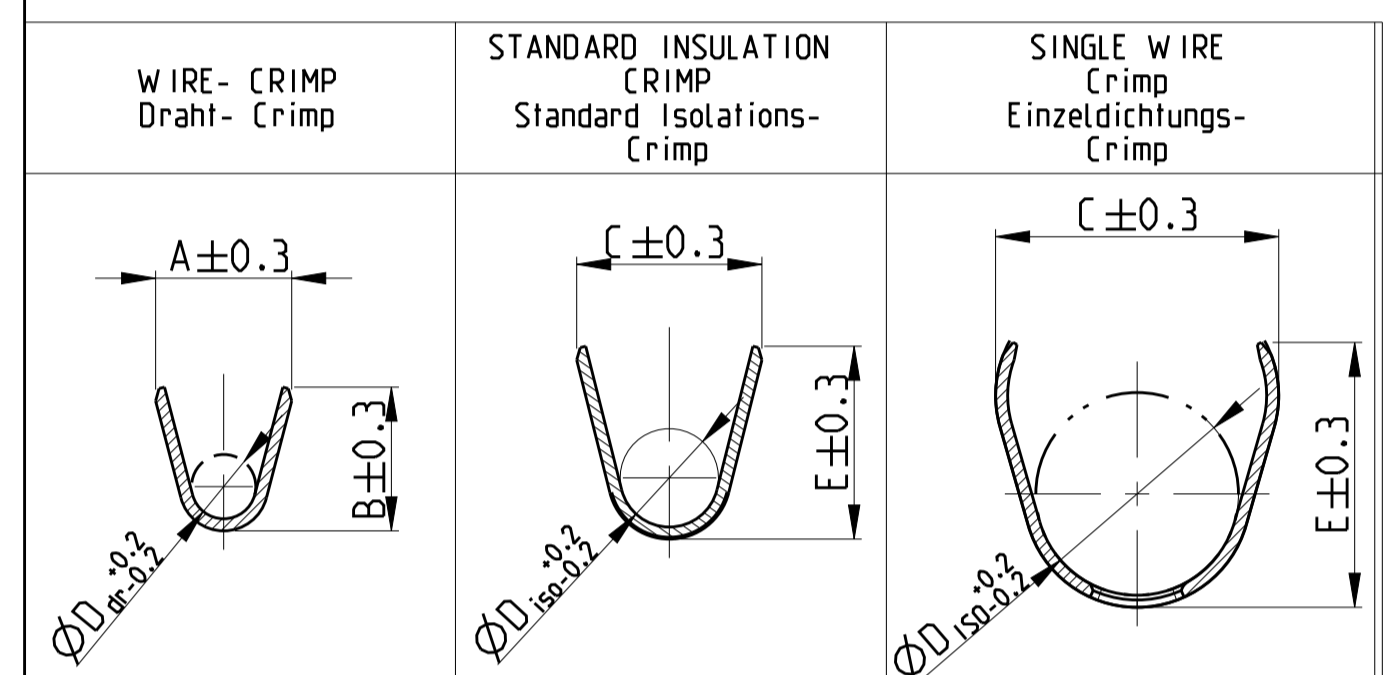
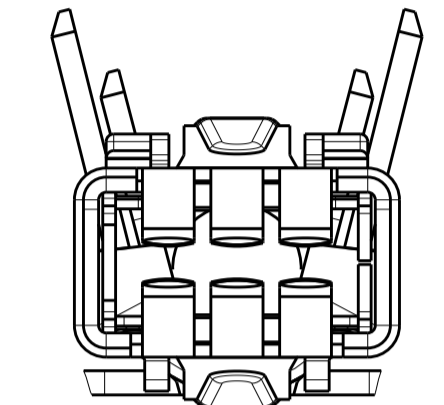
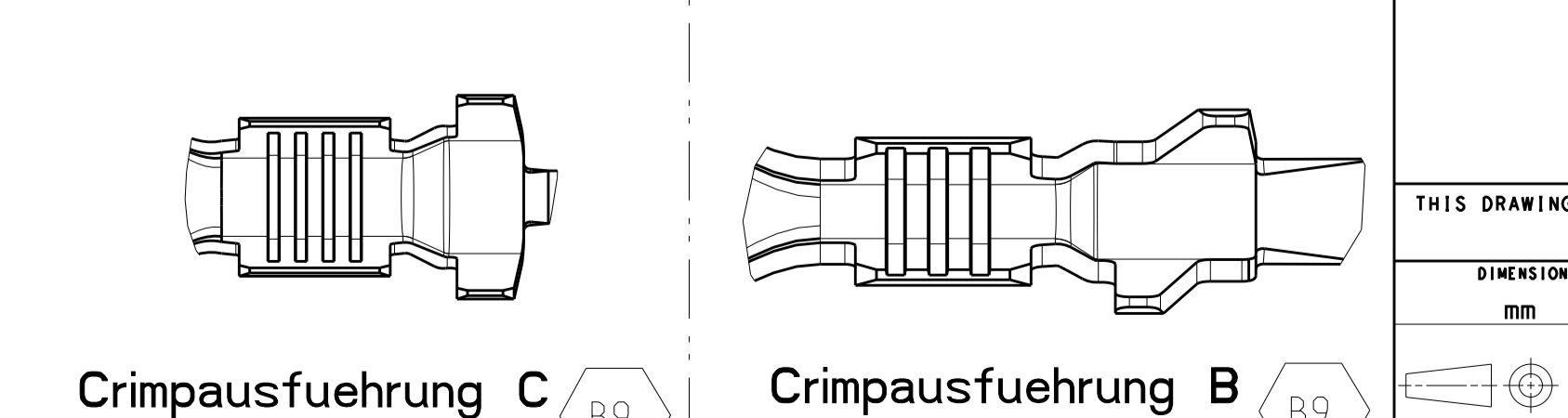
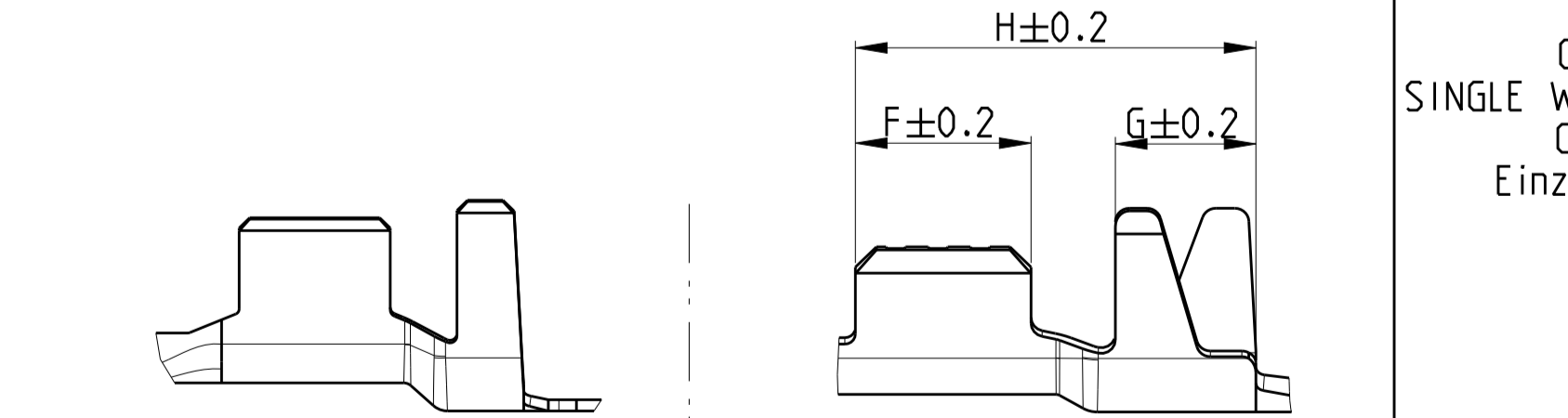
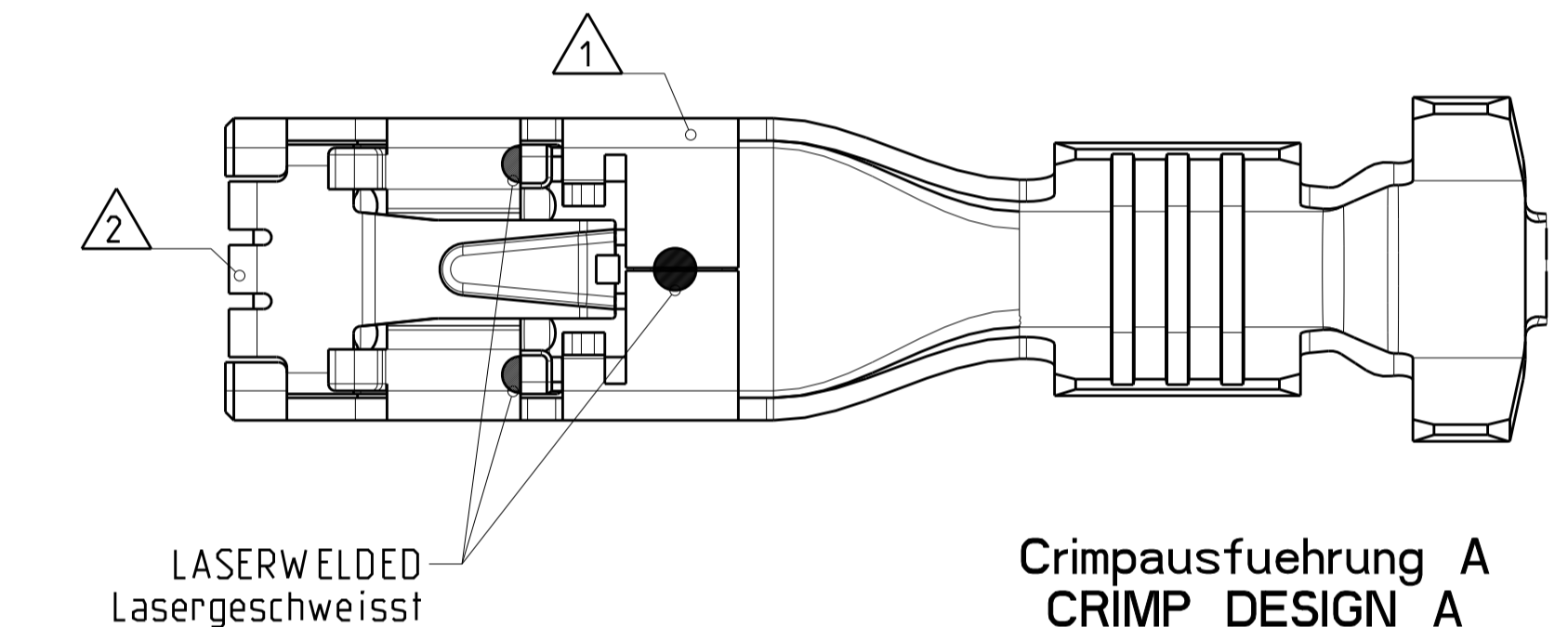
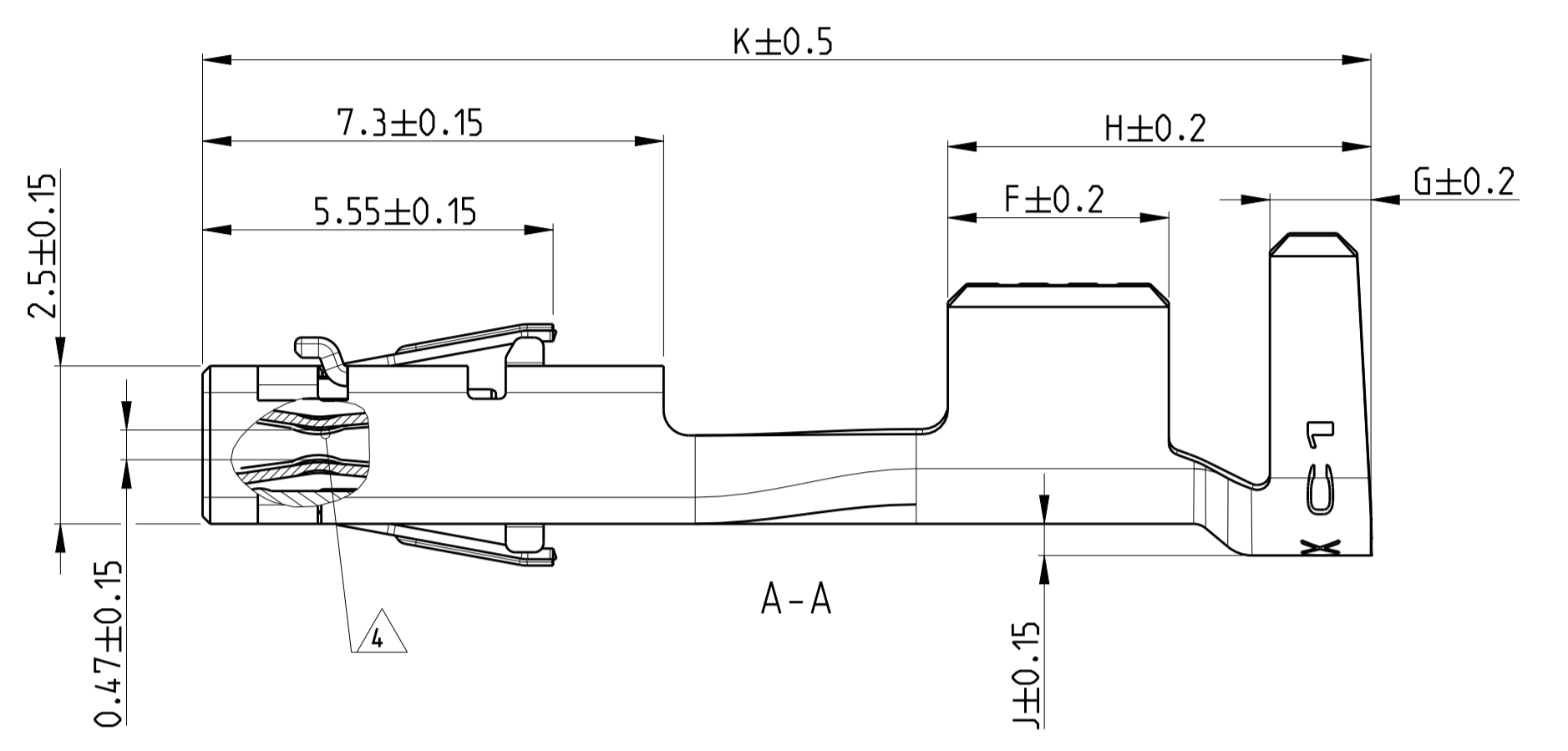
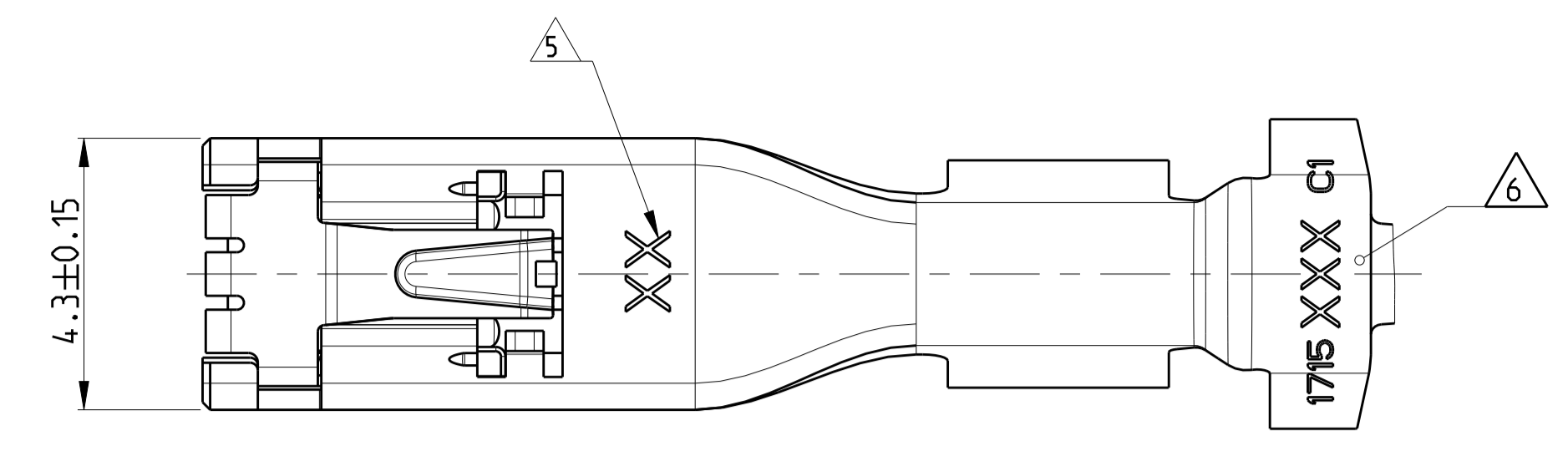


LOC	DIST	REV	DATE	APPV
A1	-	B6	03MAY2011	Kirs. Merz
		B7	11JUN2014	Bren Merz
		B8	21AUG2017	SCK RM
		B9	11SEP2017	GH RM

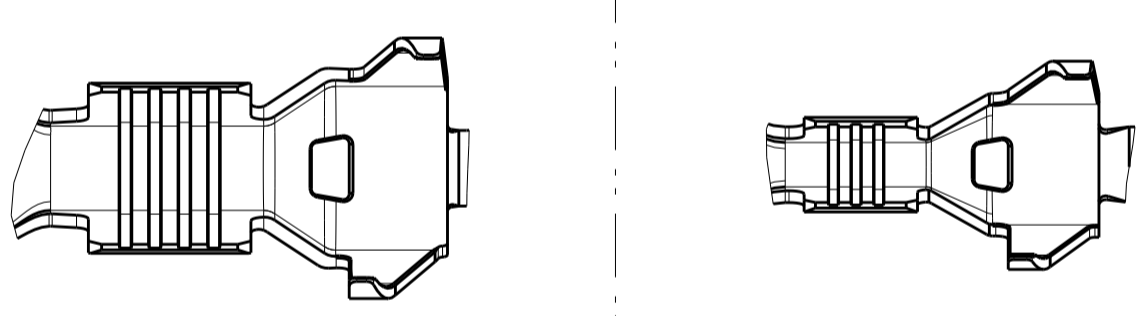
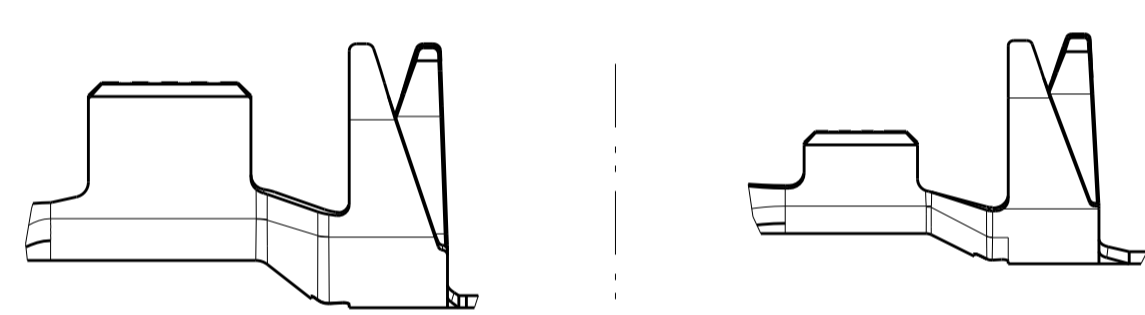
- 1 BODY Kontaktkoerper
- 2 SPRING Kontaktfeder
- 3 FOR FLR-WIRE SEE DIN 72551, PART 6 Fuer FLR-Leitung nach DIN 72551, Teil 6
- 4 SURFACE
  - a) BODY -PRE TIN 1 TO 3 µm
  - b) SPRING -PRE TIN SnAg 1 TO 3µm -GOLD PLATED MIN. µm (only contact area) -SILVER PLATED 2 TO 4 µm (only contact area)
- 5 STAMPED INDICATOR FOR PLATING:
  - AU GOLD PLATING
  - AG SILVER PLATING
  - TIN PLATING WITHOUT INDICATOR
 Markierung fuer galvanische Ausfuehrung:
  - AU vergoldet
  - AG versilbert
  - verzinkt: ohne Markierung
- 6 TE LOGO REVISION STATUS DATE CODE
- 7 MATING PART SEE INTERFACE DRAWING 114-18230-002 Gegenstecker nach Ausfuehrungsvorschrift



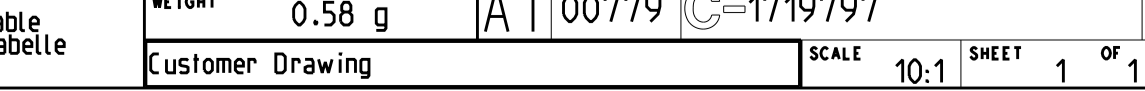
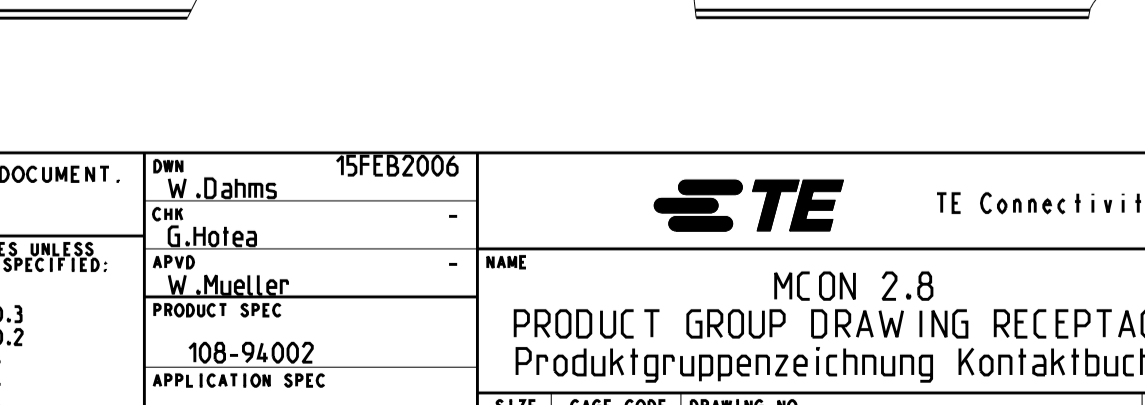
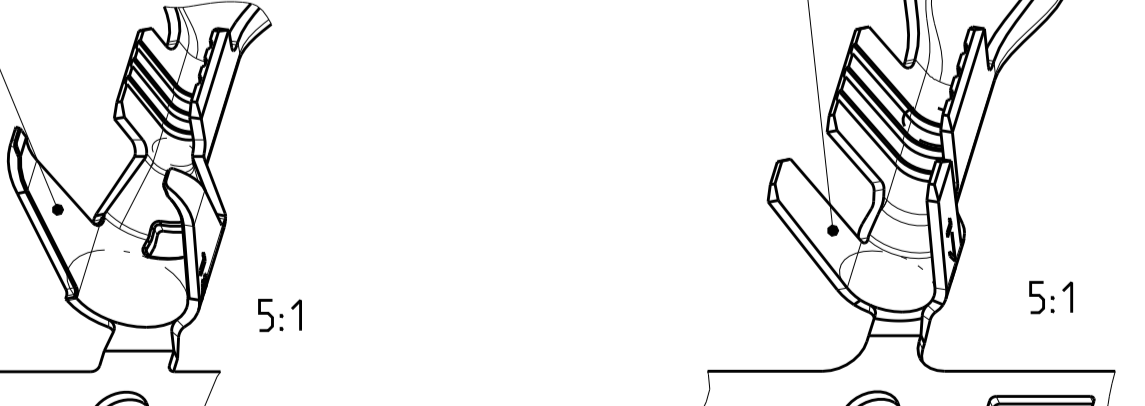
VERSION / Ausfuehrung	TE ORDER-NO. STRIP FORM	Rev.	BODY Kontaktkoerper	SPRING Kontaktfeder	BODY Kontaktkoerper	SPRING Kontaktfeder	WIRE RANGE	WIRE CRIMP					ISOLATION CRIMP					Øxxx [mm]	BLINDPLUG ORDER NO. Blindstopfen Bestell-Nr.	Crimpausfuehrung CRIMP DESIGN		
								A	B	D <sub>Dr</sub>	C	E	D <sub>ISO</sub>	F	G	H	J				K	
SINGLE WIRE SEAL / Einzeldichtung	1563935-3	A	CuSn0.15	CuNi3Si1Mg	TIN PLATED verzinkt	SILVER PLATED versilbert	0.5	2.3	2.3	1.0	5.5	5.9	3.3	3.0	2.4	7.8	0.8	19.0	828904-1 (Ø5.0)	828 922-1	E	
	-	-	C 14415	C 70250	TIN PLATED verzinkt	GOLD PLATED vergoldet	0.75-1	2.5	2.7	1.2	5.5	5.9	3.3	3.0	2.4	7.8	0.8	19.0	828904-1 (Ø5.0)			
	1670802-3	B	CuSn0.15	CuNi3Si1Mg	TIN PLATED verzinkt	SILVER PLATED versilbert	>1-2.5	3.6	3.8	1.7	5.7	6.1	3.5	3.5	2.4	8.3	0.8	19.0	828905-1 (Ø5.0)			
	STANDARD CRIMP	1670802-1	B	CuSn0.15	CuNi3Si1Mg	TIN PLATED verzinkt	SILVER PLATED versilbert	>2.5-4	4.5	4.7	2.3	6.9	7.0	4.5	4.3	2.6	9.5	1.25	20.0	828985-1 (Ø6.4)	828 986-1	D
		1670804-3	B	CuSn0.15	CuNi3Si1Mg	TIN PLATED verzinkt	GOLD PLATED vergoldet	0.2-0.35	2.1	2.1	0.8	2.9	2.9	1.4	2.5	2.0	5.7	0.25	17.5	-		
		1670804-1	B	CuSn0.15	CuNi3Si1Mg	TIN PLATED verzinkt	SILVER PLATED versilbert	0.5	2.3	2.3	1.0	2.9	2.9	1.4	3.0	2.0	6.2	0.25	17.5	-		
STANDARD CRIMP		1670806-3	B	CuSn0.15	CuNi3Si1Mg	TIN PLATED verzinkt	SILVER PLATED versilbert	0.75-1	2.5	2.7	1.2	3.7	3.9	1.8	3.0	1.6	6.2	0.25	18	-	A	
		1670806-1	B	CuSn0.15	CuNi3Si1Mg	TIN PLATED verzinkt	GOLD PLATED vergoldet	>1-2.5	3.6	3.8	1.7	4.9	5.1	2.6	3.5	1.6	6.7	0.5	18.5	-		
		1719836-3	B	CuSn0.15	CuNi3Si1Mg	TIN PLATED verzinkt	SILVER PLATED versilbert	>2.5-4	4.5	4.7	2.3	5.8	6.0	3.3	4.3	1.9	8.1	0.8	19	-		C
	1719836-1	B	CuSn0.15	CuNi3Si1Mg	TIN PLATED verzinkt	GOLD PLATED vergoldet	A	B	D <sub>Dr</sub>	C	E	D <sub>ISO</sub>	F	G	H	J	K					
	1563719-3	A	CuSn0.15	CuNi3Si1Mg	TIN PLATED verzinkt	SILVER PLATED versilbert	0.5	2.3	2.3	1.0	2.9	2.9	1.4	3.0	2.0	6.2	0.25	17.5	-			
	1563719-1	A	CuSn0.15	CuNi3Si1Mg	TIN PLATED verzinkt	GOLD PLATED vergoldet	0.5	2.3	2.3	1.0	2.9	2.9	1.4	3.0	2.0	6.2	0.25	17.5	-			
1719838-3	C	CuSn0.15	CuNi3Si1Mg	TIN PLATED verzinkt	SILVER PLATED versilbert	0.75-1	2.5	2.7	1.2	3.7	3.9	1.8	3.0	1.6	6.2	0.25	18	-				
1719838-1	C	CuSn0.15	CuNi3Si1Mg	TIN PLATED verzinkt	GOLD PLATED vergoldet	>1-2.5	3.6	3.8	1.7	4.9	5.1	2.6	3.5	1.6	6.7	0.5	18.5	-				
1719840-3	C	CuSn0.15	CuNi3Si1Mg	TIN PLATED verzinkt	SILVER PLATED versilbert	>1-2.5	3.6	3.8	1.7	4.9	5.1	2.6	3.5	1.6	6.7	0.5	18.5	-				
1719840-1	C	CuSn0.15	CuNi3Si1Mg	TIN PLATED verzinkt	GOLD PLATED vergoldet	>1-2.5	3.6	3.8	1.7	4.9	5.1	2.6	3.5	1.6	6.7	0.5	18.5	-				
1718475-3	E	CuSn0.15	CuNi3Si1Mg	TIN PLATED verzinkt	SILVER PLATED versilbert	>2.5-4	4.5	4.7	2.3	5.8	6.0	3.3	4.3	1.9	8.1	0.8	19	-				
1718475-1	E	CuSn0.15	CuNi3Si1Mg	TIN PLATED verzinkt	GOLD PLATED vergoldet	>2.5-4	4.5	4.7	2.3	5.8	6.0	3.3	4.3	1.9	8.1	0.8	19	-				



Einzeldichtungssystem SINGLE WIRE SEALING SYSTEM



Crimpausfuehrung D CRIMP DESIGN D Crimpausfuehrung E CRIMP DESIGN E



STANDARD CRIMP

CRIMP FOR SINGLE WIRE SEAL Crimp fuer Einzeldichtung

5:1

5:1

THIS DRAWING IS A CONTROLLED DOCUMENT. DWG No. 15FEB2006

DIMENSIONS: mm

TOLERANCES UNLESS OTHERWISE SPECIFIED:

0 PLC ±0.3

1 PLC ±0.2

2 PLC ±0.2

3 PLC ±0.2

4 PLC ±0.2

ANGLES FINISH

MATERIAL see table siehe Tabelle

WEIGHT 0.58 g

Customer Drawing

SCALE 10:1 SHEET 1 OF 1

RESTRICTED TO

TE Connectivity

MCON 2.8

PRODUCT GROUP DRAWING RECEPTACLE

Produktgruppenzeichnung Kontaktbuchse

SIZE CAGE CODE DRAWING NO. 114-18718

NAME W. Mueller

PRODUCT SPEC 108-94002

APPLICATION SPEC 114-18718

00779

©=1719797

## X-ON Electronics

Largest Supplier of Electrical and Electronic Components

*Click to view similar products for [Automotive Connectors](#) category:*

*Click to view products by [TE Connectivity](#) manufacturer:*

Other Similar products are found below :

[003-018-000](#) [60403001](#) [60993906-B](#) [M902-2131](#) [M902-2161](#) [72.330.1035.1](#) [73.353.4028.0](#) [F119300-B](#) [F166900](#) [F258300-B](#) [F358300-B](#)  
[F407400](#) [F444110](#) [F487000](#) [F509500B-B](#) [827153-1](#) [8N1515-32-24P](#) [9-1326729-8](#) [925474-1](#) [928905-1](#) [964562-4](#) [968782-1](#) [GT17SA-8DS-](#)  
[HU](#) [98891-1012](#) [98947-1016](#) [12004147](#) [12004475-L](#) [12010290](#) [12010309-B](#) [12015454](#) [12020219-B](#) [12020308](#) [12041318-B](#) [12052225-L](#)  
[12052466](#) [12059125](#) [12064869](#) [12004327-B](#) [12010503-B](#) [12015308](#) [12015384](#) [12015909](#) [1-21030-1](#) [12041254](#) [12041318](#) [12047946-B](#)  
[12047957](#) [12047957-L](#) [12059473](#) [12066261](#)