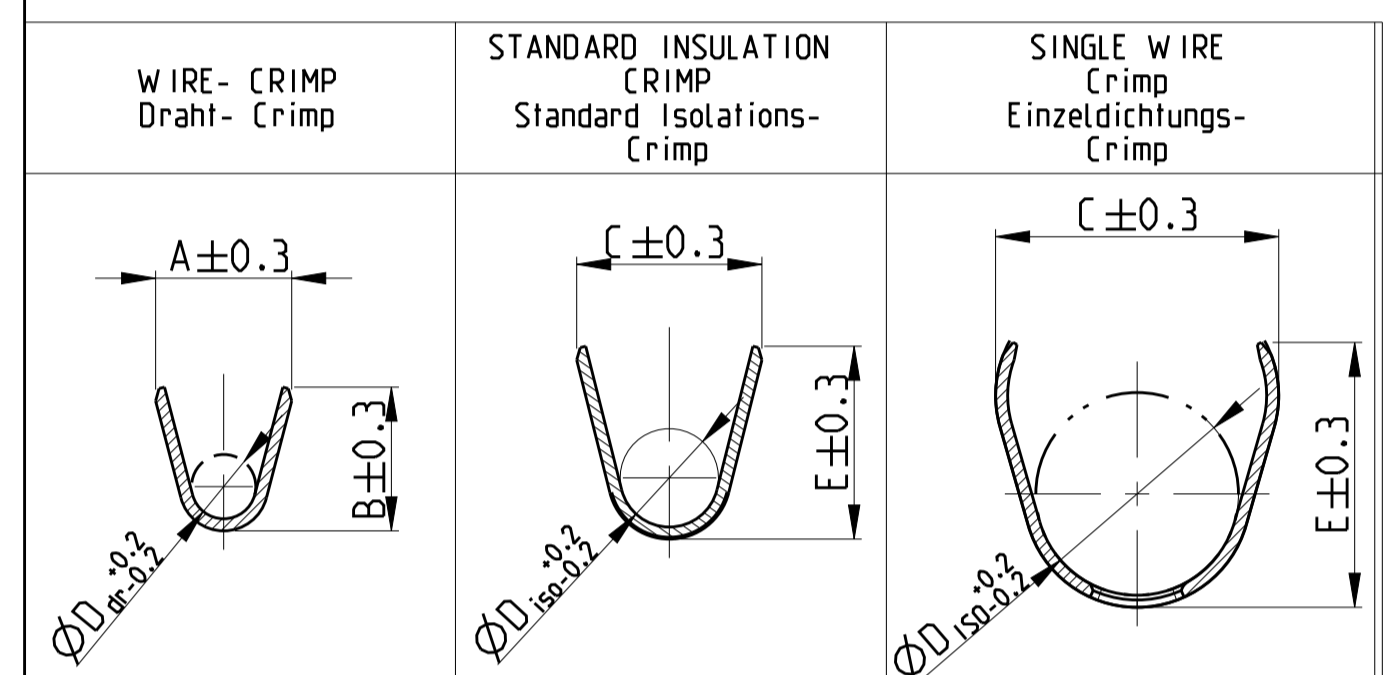
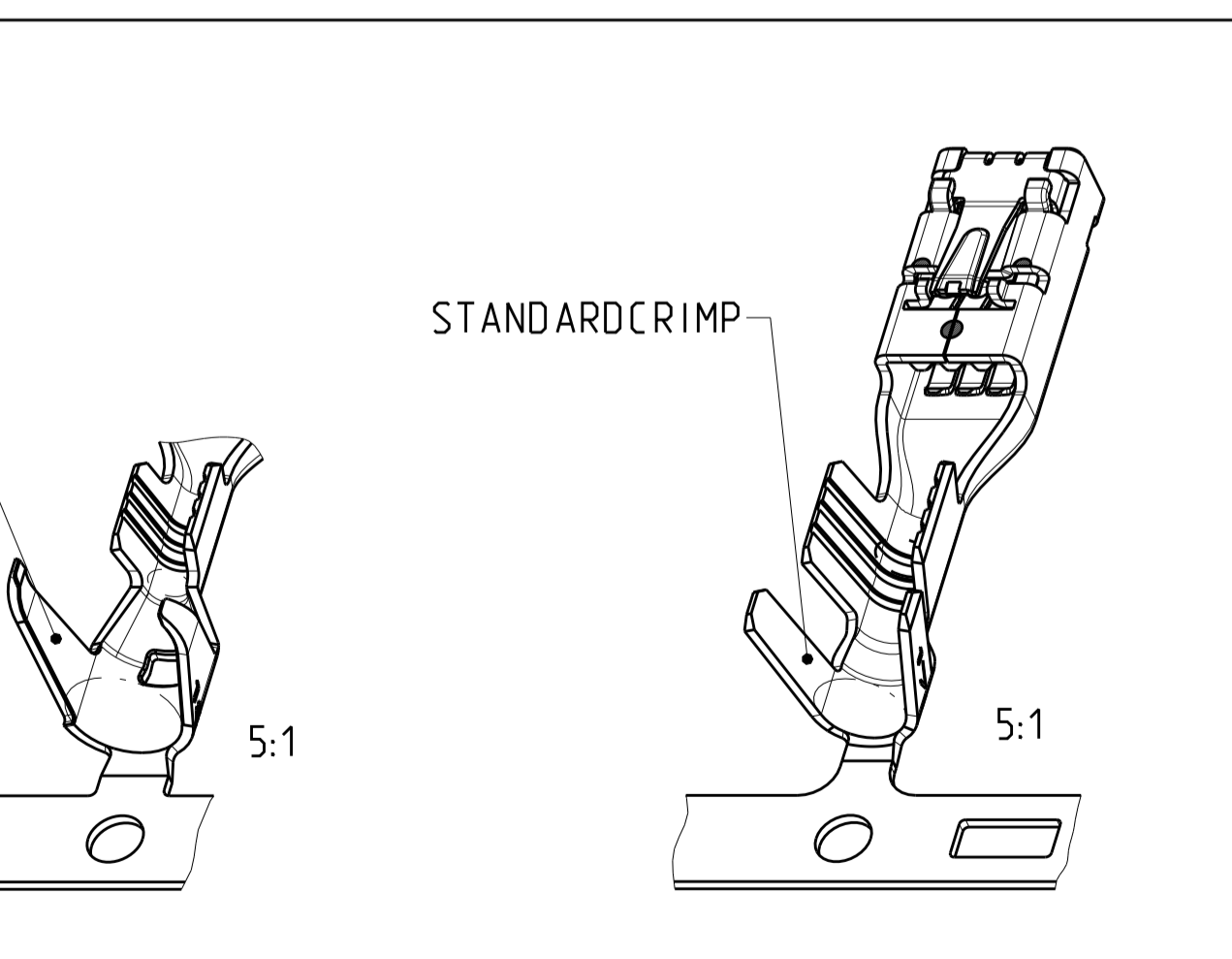
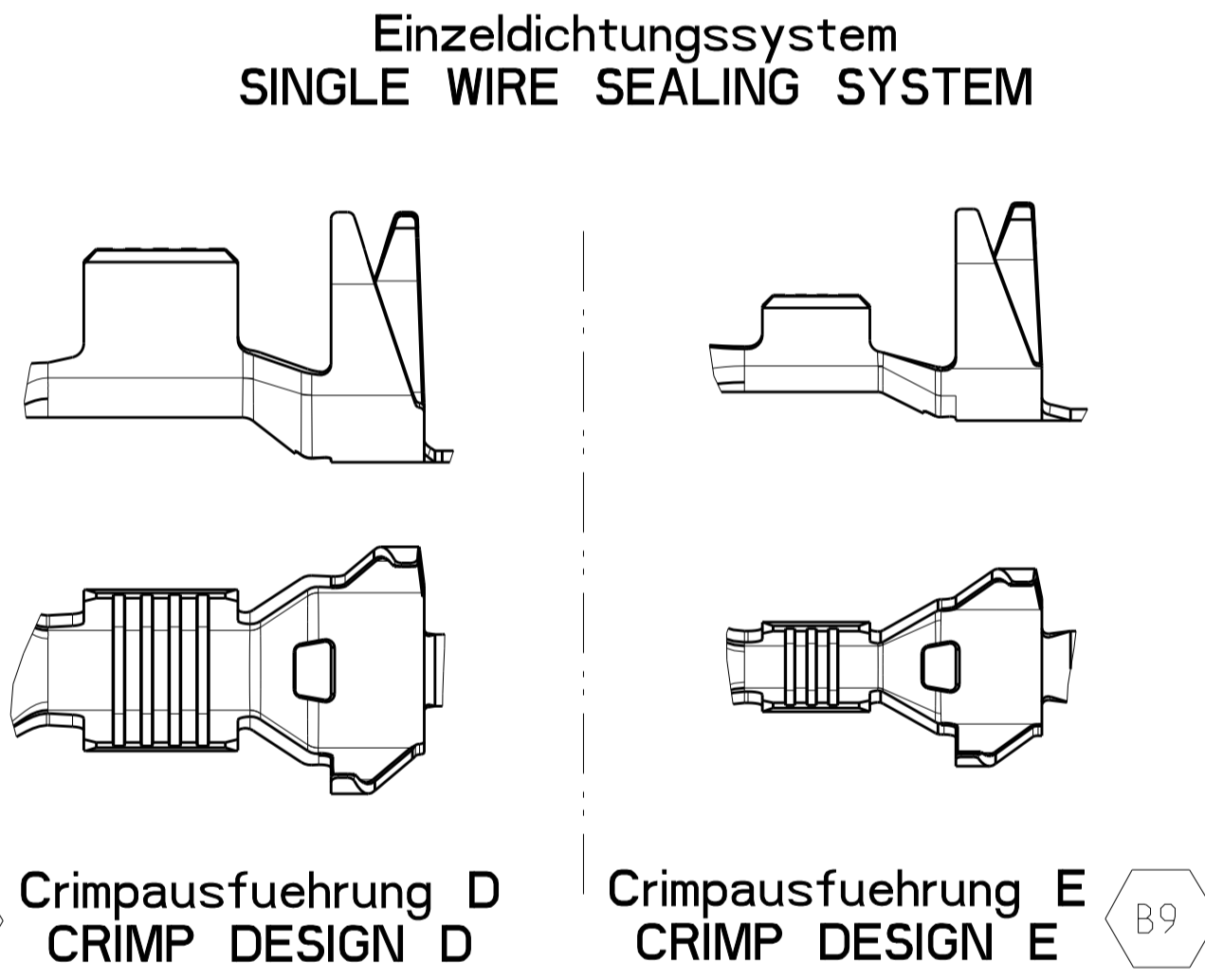
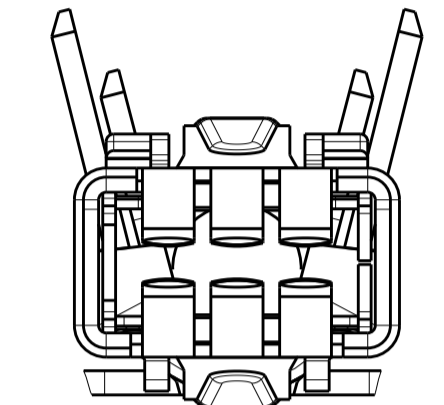
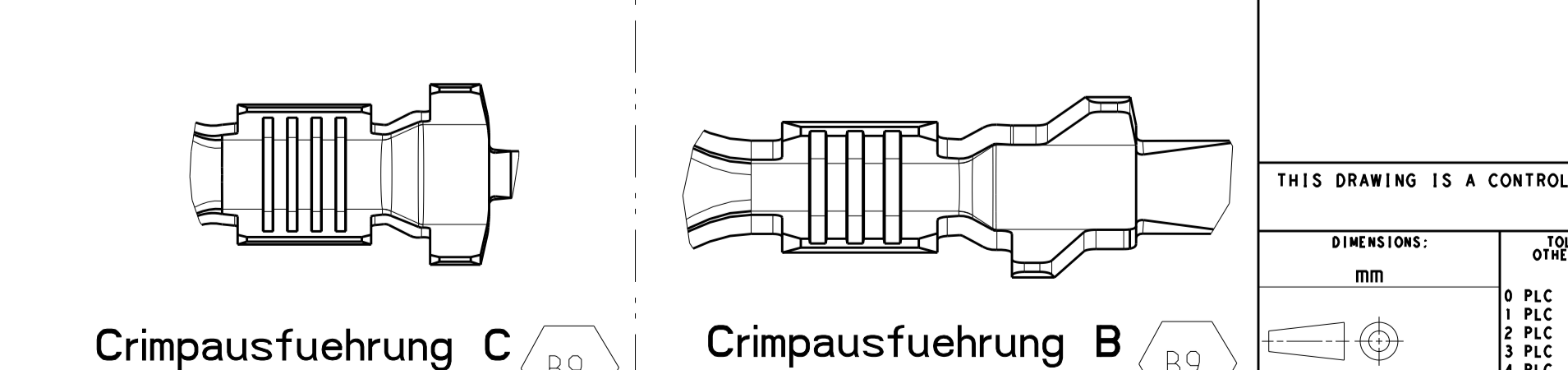
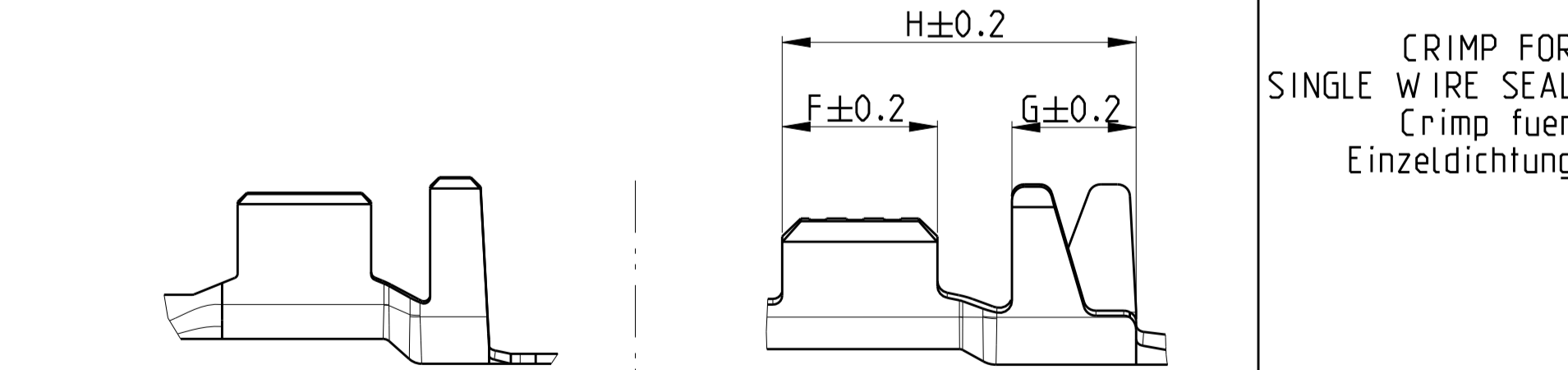
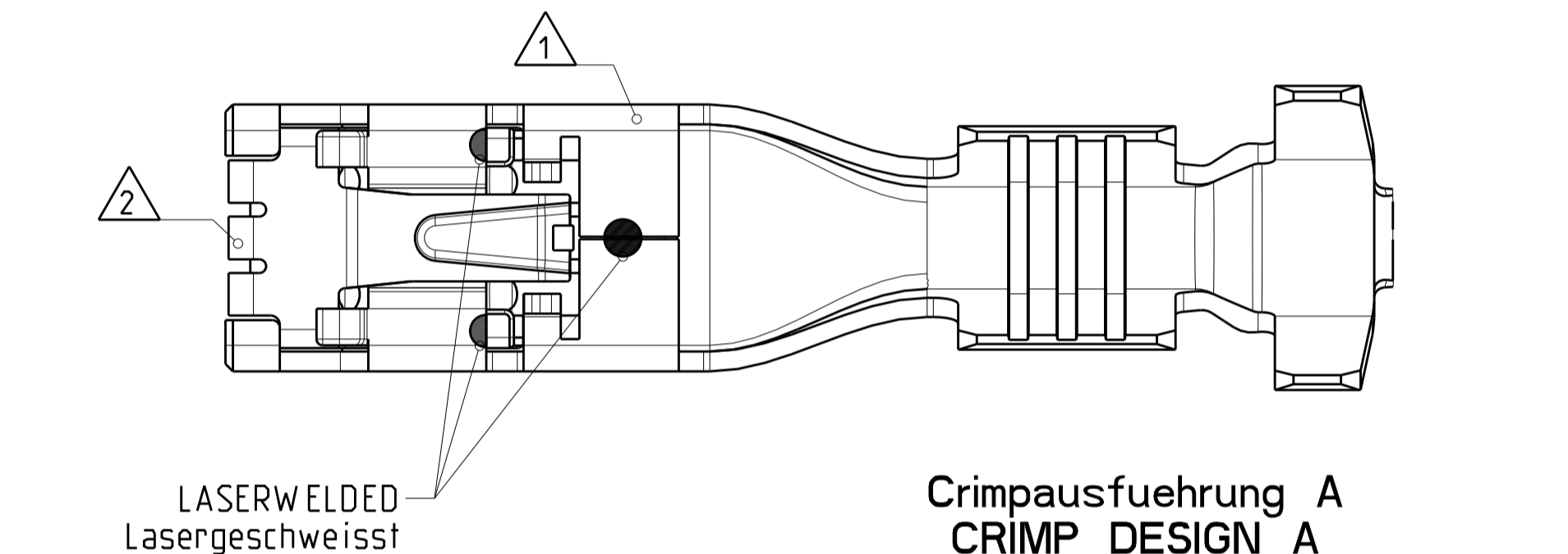
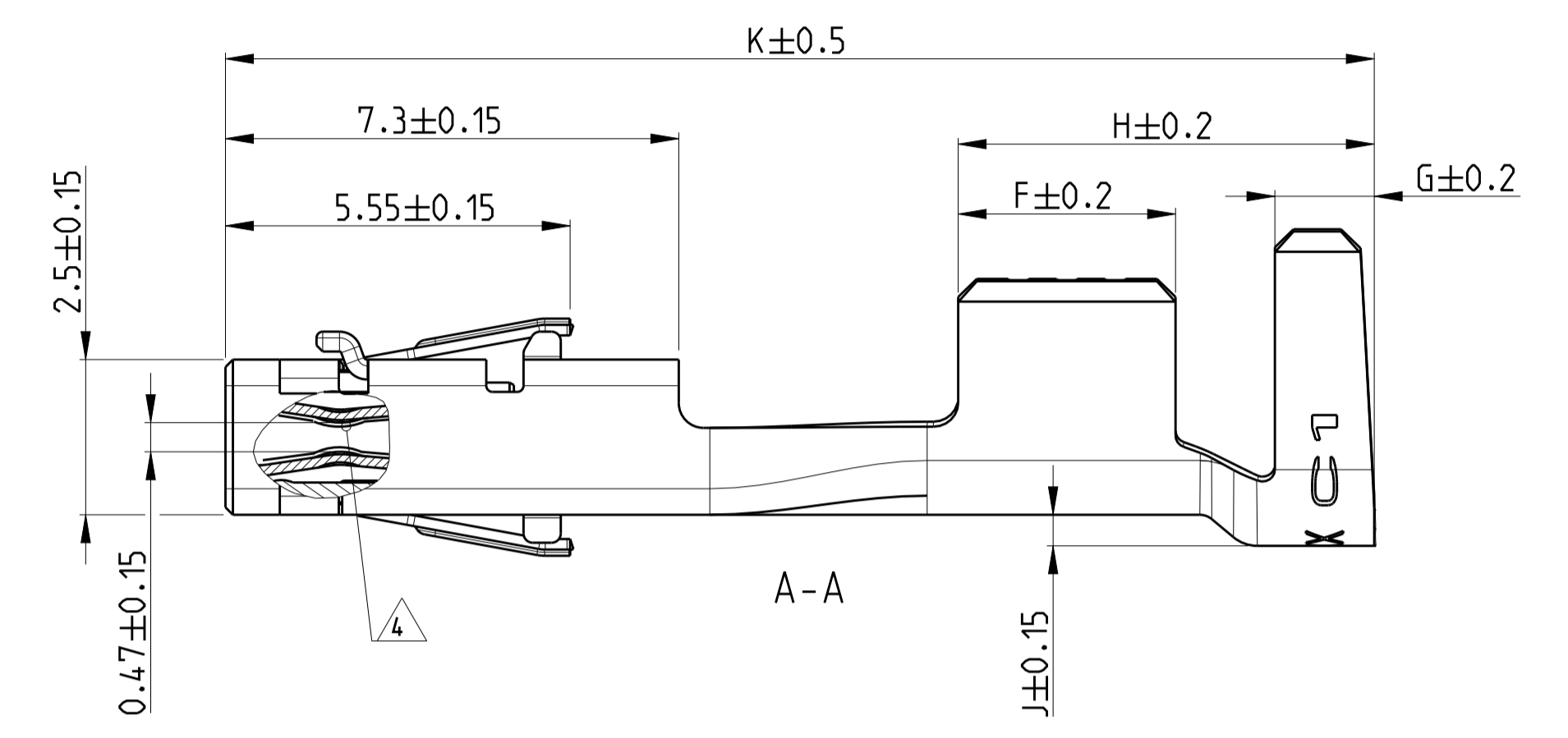
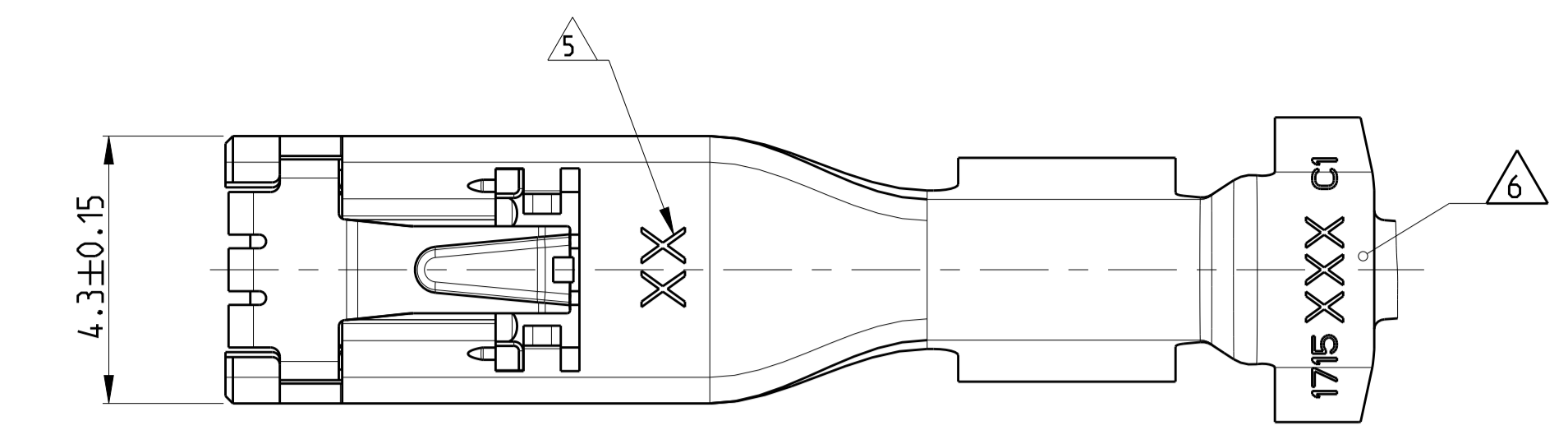


LOC	DIST	REV	DATE	APPV
A1	-	B6	03MAY2011	Kirs. Merz
		B7	11JUN2014	Bren Merz
		B8	21AUG2017	SCK RM
		B9	11SEP2017	GH RM

- 1 BODY Kontaktkoerper
- 2 SPRING Kontaktfeder
- 3 FOR FLR-WIRE SEE DIN 72551, PART 6 Fuer FLR-Leitung nach DIN 72551, Teil 6
- 4 SURFACE
 - a) BODY -PRE TIN 1 TO 3 µm
 - b) SPRING -PRE TIN SnAg 1 TO 3µm -GOLD PLATED MIN. µm (only contact area) -SILVER PLATED 2 TO 4 µm (only contact area)
- 5 STAMPED INDICATOR FOR PLATING:
 - AU GOLD PLATING
 - AG SILVER PLATING
 - TIN PLATING WITHOUT INDICATOR
 Markierung fuer galvanische Ausfuehrung:
 - AU vergoldet
 - AG versilbert
 - verzinkt: ohne Markierung
- 6 TE LOGO REVISION STATUS DATE CODE
- 7 MATING PART SEE INTERFACE DRAWING 114-18230-002 Gegenstecker nach Ausfuehrungsvorschrift



VERSION / Ausfuehrung	TE ORDER-NO. STRIP FORM	Rev.	MATERIAL Werkstoff		SURFACE Oberflaeche		WIRE RANGE Draht-groessen-bereich	WIRE CRIMP Drahtcrimp					ISOLATION CRIMP Isolationscrimp					SINGLE WIRE SEAL FOR CAVITY DIAMETER Einzeldichtung Kammerdurchmesser TE NO.	BLINDPLUG ORDER NO. Blindstopfen Bestell-Nr.	Crimpausfuehrung CRIMP DESIGN			
			BODY Kontaktkoerper	SPRING Kontaktfeder	BODY Kontaktkoerper	SPRING Kontaktfeder		A	B	D _{Dr}	C	E	D _{ISO}	F	G	H	J				K		
SINGLE WIRE SEAL / Einzeldichtung	1563935-3	A	CuSn0.15	CuNi3Si1Mg	TIN PLATED verzinkt	SILVER PLATED versilbert	0.5	2.3	2.3	1.0	5.5	5.9	3.3	3.0	2.4	7.8	0.8	19.0	828904-1 (Ø5.0)	828 922-1	E		
	-	-	C 14415	C 70250	TIN PLATED verzinkt	GOLD PLATED vergoldet																	
	1670802-3	B	CuSn0.15	CuNi3Si1Mg	TIN PLATED verzinkt	SILVER PLATED versilbert	0.75-1	2.5	2.7	1.2	5.5	5.9	3.3	3.0	2.4	7.8	0.8	19.0	828904-1 (Ø5.0)				
	-	-	C 14415	C 70250	TIN PLATED verzinkt	GOLD PLATED vergoldet																	
	1670804-3	B	CuSn0.15	CuNi3Si1Mg	TIN PLATED verzinkt	SILVER PLATED versilbert	>1-2.5	3.6	3.8	1.7	5.7	6.1	3.5	3.5	2.4	8.3	0.8	19.0	828905-1 (Ø5.0)				
	-	-	C 14415	C 70250	TIN PLATED verzinkt	GOLD PLATED vergoldet																	
STANDARD CRIMP	1670806-3	B	CuSn0.15	CuNi3Si1Mg	TIN PLATED verzinkt	SILVER PLATED versilbert	>2.5-4	4.5	4.7	2.3	6.9	7.0	4.5	4.3	2.6	9.5	1.25	20.0	828985-1 (Ø6.4)	828 986-1	D		
	-	-	C 14415	C 70250	TIN PLATED verzinkt	GOLD PLATED vergoldet																	
	1719836-3	B	CuSn0.15	CuNi3Si1Mg	TIN PLATED verzinkt	SILVER PLATED versilbert	0.2-0.35	2.1	2.1	0.8	2.9	2.9	1.4	2.5	2.0	5.7	0.25	17.5	-				
	-	-	C 14415	C 70250	TIN PLATED verzinkt	GOLD PLATED vergoldet																	
	1563719-3	A	CuSn0.15	CuNi3Si1Mg	TIN PLATED verzinkt	SILVER PLATED versilbert	0.5	2.3	2.3	1.0	2.9	2.9	1.4	3.0	2.0	6.2	0.25	17.5	-				
	-	-	C 14415	C 70250	TIN PLATED verzinkt	GOLD PLATED vergoldet																	
STANDARD CRIMP	1563719-1	A	CuSn0.15	CuNi3Si1Mg	TIN PLATED verzinkt	SILVER PLATED versilbert	0.5	2.3	2.3	1.0	2.9	2.9	1.4	3.0	2.0	6.2	0.25	17.5	-	828 986-1	D		
	-	-	C 14415	C 70250	TIN PLATED verzinkt	GOLD PLATED vergoldet																	
	1719838-3	C	CuSn0.15	CuNi3Si1Mg	TIN PLATED verzinkt	SILVER PLATED versilbert	0.75-1	2.5	2.7	1.2	3.7	3.9	1.8	3.0	1.6	6.2	0.25	18	-				
	-	-	C 14415	C 70250	TIN PLATED verzinkt	GOLD PLATED vergoldet																	
	1719840-3	C	CuSn0.15	CuNi3Si1Mg	TIN PLATED verzinkt	SILVER PLATED versilbert	>1-2.5	3.6	3.8	1.7	4.9	5.1	2.6	3.5	1.6	6.7	0.5	18.5	-				
	-	-	C 14415	C 70250	TIN PLATED verzinkt	GOLD PLATED vergoldet																	
STANDARD CRIMP	1719840-1	C	CuSn0.15	CuNi3Si1Mg	TIN PLATED verzinkt	SILVER PLATED versilbert	>1-2.5	3.6	3.8	1.7	4.9	5.1	2.6	3.5	1.6	6.7	0.5	18.5	-	828 986-1	D		
	-	-	C 14415	C 70250	TIN PLATED verzinkt	GOLD PLATED vergoldet																	
STANDARD CRIMP	1718475-3	E	CuSn0.15	CuNi3Si1Mg	TIN PLATED verzinkt	SILVER PLATED versilbert	>2.5-4	4.5	4.7	2.3	5.8	6.0	3.3	4.3	1.9	8.1	0.8	19	-	828 986-1	D		
	-	-	C 14415	C 70250	TIN PLATED verzinkt	GOLD PLATED vergoldet																	
STANDARD CRIMP	1718475-1	E	CuSn0.15	CuNi3Si1Mg	TIN PLATED verzinkt	SILVER PLATED versilbert	>2.5-4	4.5	4.7	2.3	5.8	6.0	3.3	4.3	1.9	8.1	0.8	19	-	828 986-1	D		
	-	-	C 14415	C 70250	TIN PLATED verzinkt	GOLD PLATED vergoldet																	



THIS DRAWING IS A CONTROLLED DOCUMENT.		OWN: W. Dahms	15FEB2006
DIMENSIONS: mm		CHK: G.Hotea	
TOLERANCES UNLESS OTHERWISE SPECIFIED:		APPV: W. Mueller	
0 PLC	±0.3	PRODUCT SPEC	
1 PLC	±0.2	108-94002	
2 PLC	±0.1	APPLICATION SPEC	
3 PLC	±0.05	114-18718	
4 PLC	±0.02	WEIGHT	0.58 g
5 PLC	±0.01	Customer Drawing	
MATERIAL: see table siehe Tabelle		SCALE	10:1
FINISH: see table siehe Tabelle		SHEET	1 of 1

X-ON Electronics

Largest Supplier of Electrical and Electronic Components

Click to view similar products for [Automotive Connectors](#) category:

Click to view products by [TE Connectivity](#) manufacturer:

Other Similar products are found below :

[003-018-000](#) [60403001](#) [60993906-B](#) [M902-2131](#) [M902-2161](#) [72.330.1035.1](#) [73.353.4028.0](#) [F119300-B](#) [F166900](#) [F258300-B](#) [F358300-B](#)
[F407400](#) [F444110](#) [F487000](#) [F509500B-B](#) [827153-1](#) [8N1515-32-24P](#) [9-1326729-8](#) [925474-1](#) [928905-1](#) [964562-4](#) [968782-1](#) [GT17SA-8DS-](#)
[HU](#) [98891-1012](#) [98947-1016](#) [12004147](#) [12004475-L](#) [12010290](#) [12010309-B](#) [12015454](#) [12020219-B](#) [12020308](#) [12041318-B](#) [12052225-L](#)
[12052466](#) [12059125](#) [12064869](#) [12004327-B](#) [12010503-B](#) [12015308](#) [12015384](#) [12015909](#) [1-21030-1](#) [12041254](#) [12041318](#) [12047946-B](#)
[12047957](#) [12047957-L](#) [12059473](#) [12066261](#)