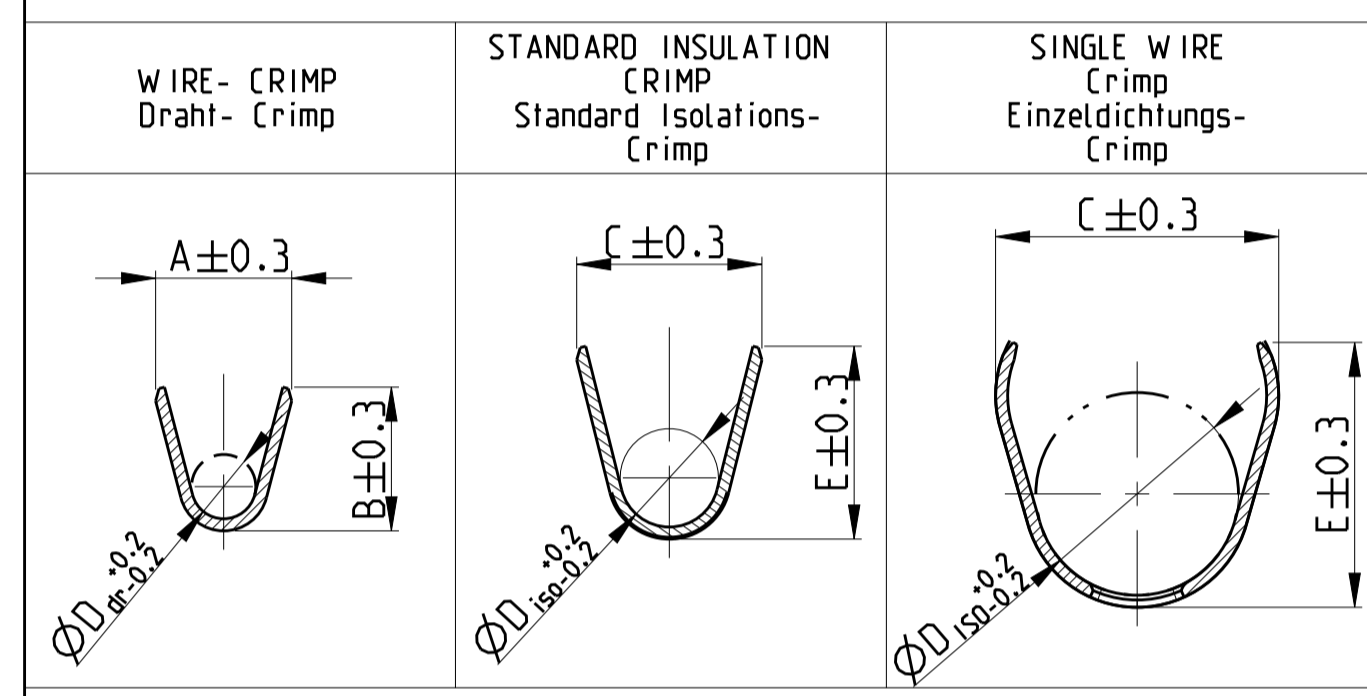
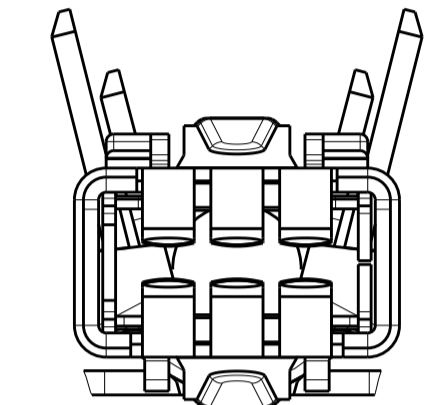
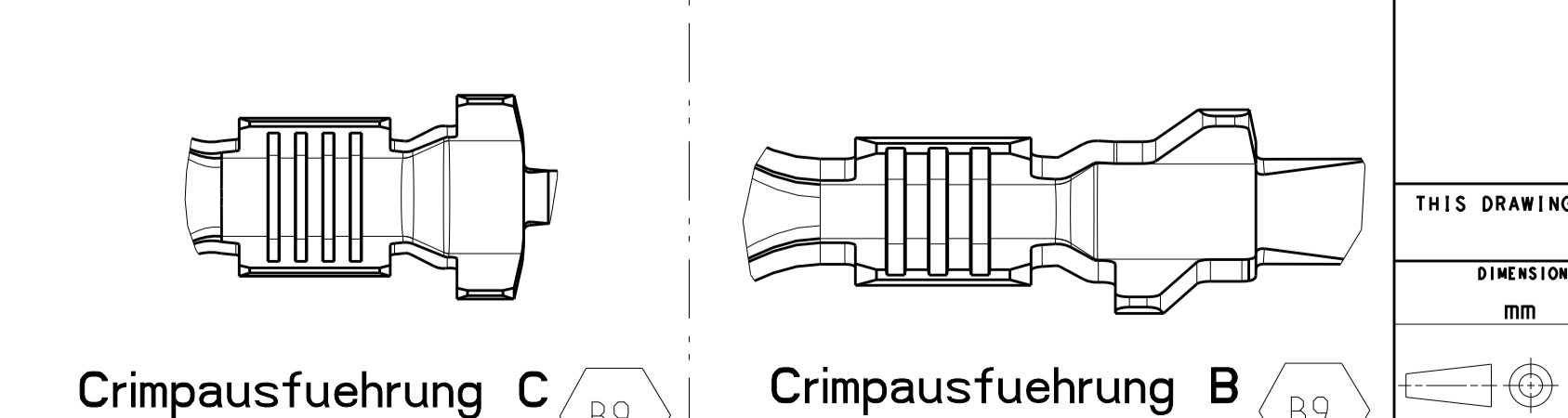
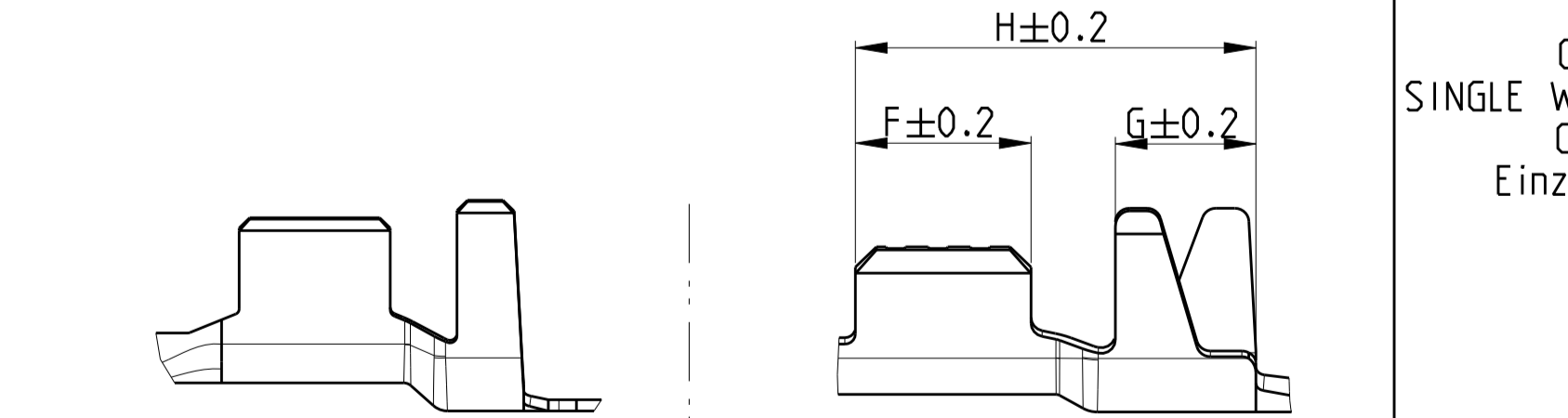
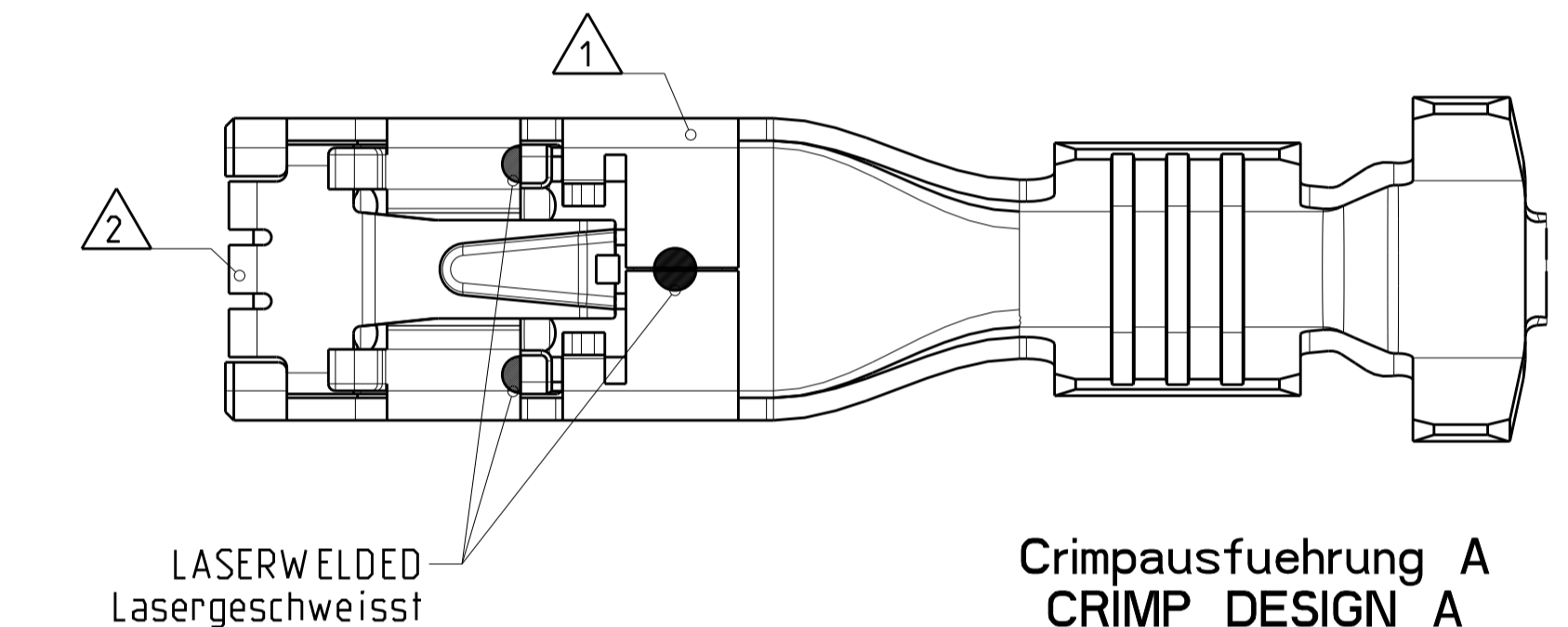
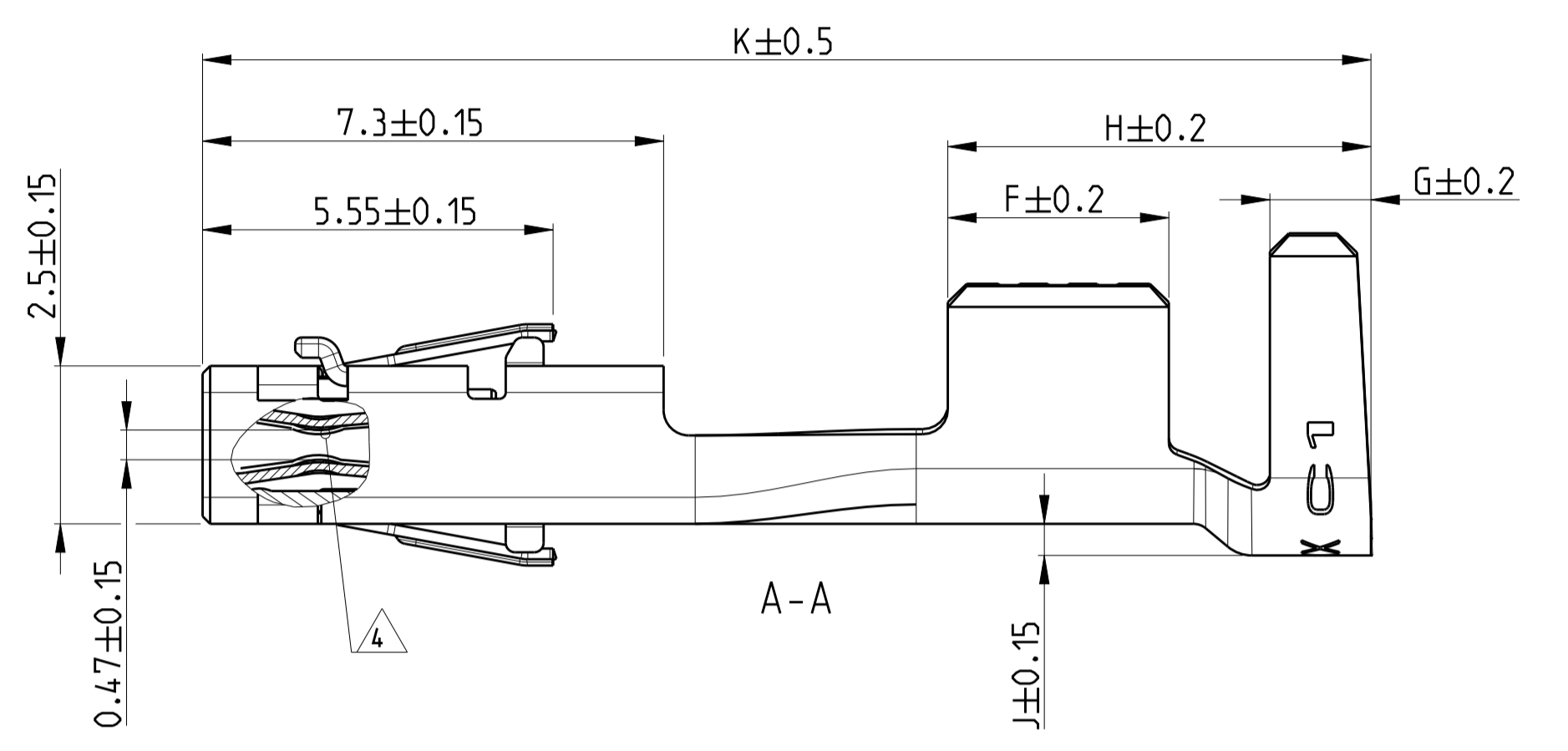
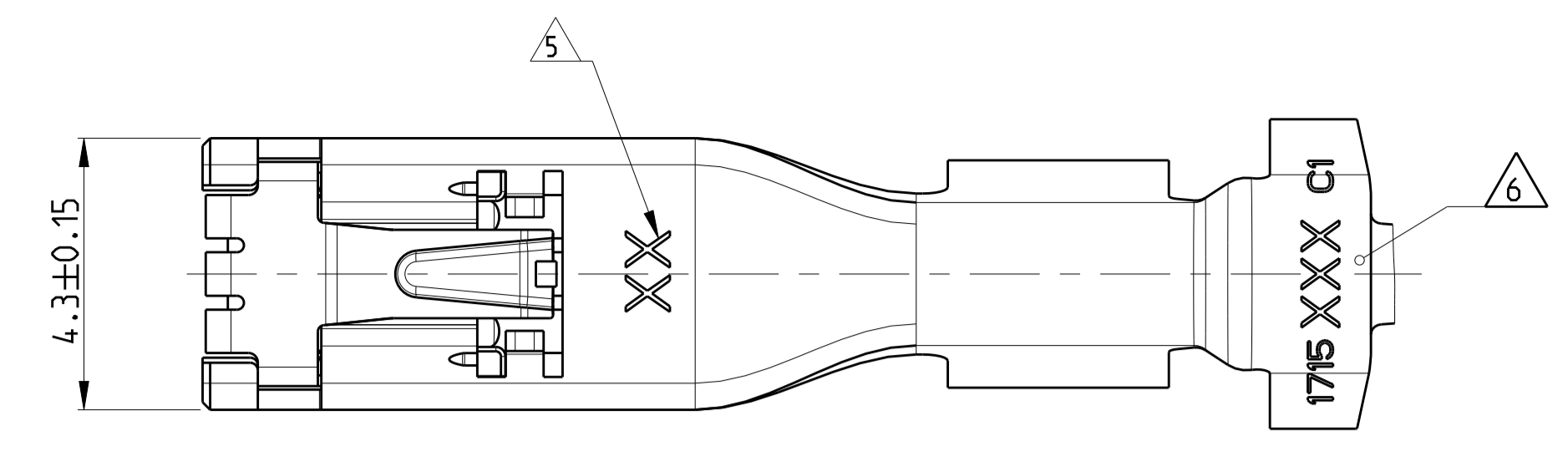


| LOC | DIST | REV | DATE | APPV |
|-----|------|-----|-----------|------------|
| A1 | - | B6 | 03MAY2011 | Kirs. Merz |
| | | B7 | 11JUN2014 | Bren Merz |
| | | B8 | 21AUG2017 | SCK RM |
| | | B9 | 11SEP2017 | GH RM |

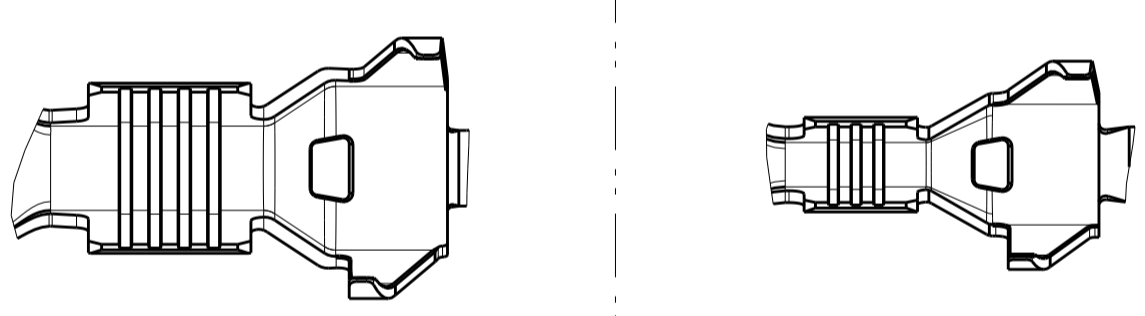
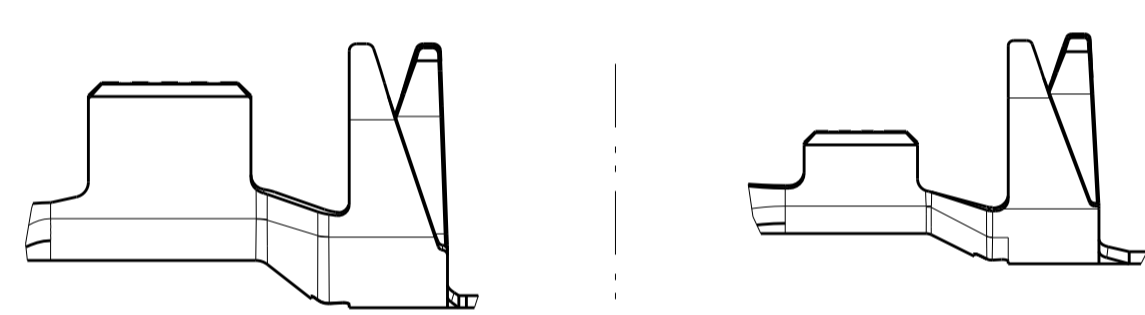
- 1 BODY Kontaktkoerper
- 2 SPRING Kontaktfeder
- 3 FOR FLR-WIRE SEE DIN 72551, PART 6 Fuer FLR-Leitung nach DIN 72551, Teil 6
- 4 SURFACE
 - a) BODY -PRE TIN 1 TO 3 µm
 - b) SPRING -PRE TIN SnAg 1 TO 3µm -GOLD PLATED MIN. µm (only contact area) -SILVER PLATED 2 TO 4 µm (only contact area)
- 5 STAMPED INDICATOR FOR PLATING:
 - AU GOLD PLATING
 - AG SILVER PLATING
 - TIN PLATING WITHOUT INDICATOR
 Markierung fuer galvanische Ausfuehrung:
 - AU vergoldet
 - AG versilbert
 - verzinkt: ohne Markierung
- 6 TE LOGO REVISION STATUS DATE CODE
- 7 MATING PART SEE INTERFACE DRAWING 114-18230-002 Gegenstecker nach Ausfuehrungsvorschrift



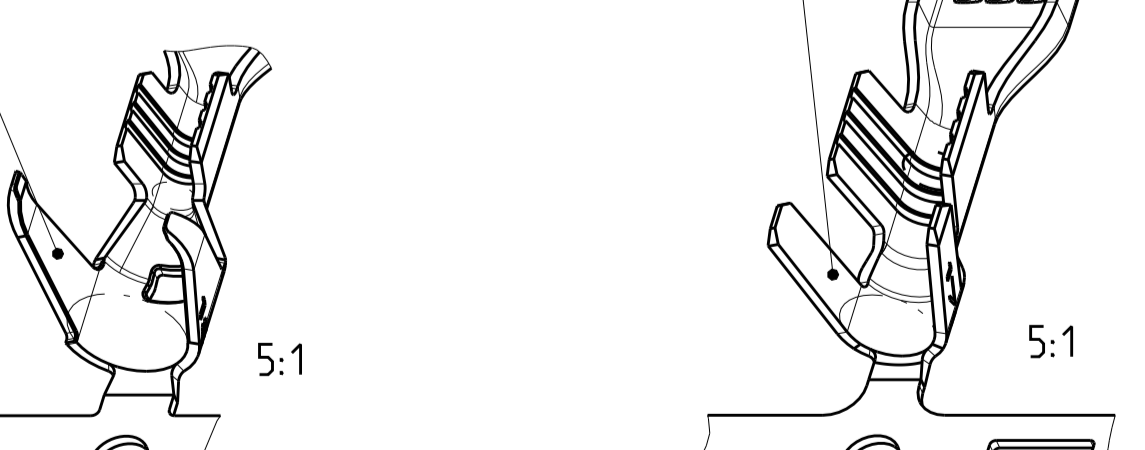
| VERSION / Ausfuehrung | TE ORDER-NO. STRIP FORM | Rev. | BODY Kontaktkoerper | SPRING Kontaktfeder | BODY Kontaktkoerper | SPRING Kontaktfeder | WIRE RANGE | WIRE CRIMP | | | | | ISOLATION CRIMP | | | | | Øxxx [mm] | BLINDPLUG ORDER NO. Blindstopfen Bestell-Nr. | Crimpausfuehrung CRIMP DESIGN | | |
|-----------------------------------|-------------------------|-----------------------|---------------------|---------------------|--------------------------|--------------------------|--------------------------|--------------------------|--------|-----------------|-----------------|-----|------------------|------------------|-----|-----|-----|-----------|--|-------------------------------|--|-------------------------------|
| | | | | | | | | A | B | D _{Dr} | C | E | D _{ISO} | F | G | H | J | | | | K | |
| SINGLE WIRE SEAL / Einzeldichtung | 1563935-3 | A | CuSn0.15 | CuNi3Si1Mg | TIN PLATED verzinkt | SILVER PLATED versilbert | 0.5 | 2.3 | 2.3 | 1.0 | 5.5 | 5.9 | 3.3 | 3.0 | 2.4 | 7.8 | 0.8 | 19.0 | 828904-1 (Ø5.0) | 828 922-1 | E | |
| | - | - | C 14415 | C 70250 | TIN PLATED verzinkt | GOLD PLATED vergoldet | 0.75-1 | 2.5 | 2.7 | 1.2 | 5.5 | 5.9 | 3.3 | 3.0 | 2.4 | 7.8 | 0.8 | 19.0 | 828904-1 (Ø5.0) | | | |
| | 1670802-3 | B | CuSn0.15 | CuNi3Si1Mg | TIN PLATED verzinkt | SILVER PLATED versilbert | >1-2.5 | 3.6 | 3.8 | 1.7 | 5.7 | 6.1 | 3.5 | 3.5 | 2.4 | 8.3 | 0.8 | 19.0 | 828905-1 (Ø5.0) | | | |
| | STANDARD CRIMP | 1670802-1 | B | CuSn0.15 | CuNi3Si1Mg | TIN PLATED verzinkt | SILVER PLATED versilbert | >2.5-4 | 4.5 | 4.7 | 2.3 | 6.9 | 7.0 | 4.5 | 4.3 | 2.6 | 9.5 | 1.25 | 20.0 | 828985-1 (Ø6.4) | 828 986-1 | D |
| | | 1670804-3 | B | CuSn0.15 | CuNi3Si1Mg | TIN PLATED verzinkt | GOLD PLATED vergoldet | 0.2-0.35 | 2.1 | 2.1 | 0.8 | 2.9 | 2.9 | 1.4 | 2.5 | 2.0 | 5.7 | 0.25 | 17.5 | - | | |
| | | 1670804-1 | B | CuSn0.15 | CuNi3Si1Mg | TIN PLATED verzinkt | SILVER PLATED versilbert | 0.5 | 2.3 | 2.3 | 1.0 | 2.9 | 2.9 | 1.4 | 3.0 | 2.0 | 6.2 | 0.25 | 17.5 | - | | |
| | | VERSION / Ausfuehrung | 1670806-3 | B | CuSn0.15 | CuNi3Si1Mg | TIN PLATED verzinkt | SILVER PLATED versilbert | 0.75-1 | 2.5 | 2.7 | 1.2 | 3.7 | 3.9 | 1.8 | 3.0 | 1.6 | 6.2 | 0.25 | 18 | - | A |
| | | | 1670806-1 | B | CuSn0.15 | CuNi3Si1Mg | TIN PLATED verzinkt | GOLD PLATED vergoldet | >1-2.5 | 3.6 | 3.8 | 1.7 | 4.9 | 5.1 | 2.6 | 3.5 | 1.6 | 6.7 | 0.5 | 18.5 | - | |
| | | | 1719836-3 | B | CuSn0.15 | CuNi3Si1Mg | TIN PLATED verzinkt | SILVER PLATED versilbert | >2.5-4 | 4.5 | 4.7 | 2.3 | 5.8 | 6.0 | 3.3 | 4.3 | 1.9 | 8.1 | 0.8 | 19 | - | |
| | | | 1719836-1 | B | CuSn0.15 | CuNi3Si1Mg | TIN PLATED verzinkt | GOLD PLATED vergoldet | A | B | D _{Dr} | C | E | D _{ISO} | F | G | H | J | K | Øxxx [mm] | BLINDPLUG ORDER NO. Blindstopfen Bestell-Nr. | Crimpausfuehrung CRIMP DESIGN |
| 1563719-3 | | | A | CuSn0.15 | CuNi3Si1Mg | TIN PLATED verzinkt | SILVER PLATED versilbert | 0.5 | 2.3 | 2.3 | 1.0 | 2.9 | 2.9 | 1.4 | 3.0 | 2.0 | 6.2 | 0.25 | 17.5 | - | B | |
| 1563719-1 | | | A | CuSn0.15 | CuNi3Si1Mg | TIN PLATED verzinkt | GOLD PLATED vergoldet | 0.5 | 2.3 | 2.3 | 1.0 | 2.9 | 2.9 | 1.4 | 3.0 | 2.0 | 6.2 | 0.25 | 17.5 | - | B | |
| 1719838-3 | | | C | CuSn0.15 | CuNi3Si1Mg | TIN PLATED verzinkt | SILVER PLATED versilbert | 0.75-1 | 2.5 | 2.7 | 1.2 | 3.7 | 3.9 | 1.8 | 3.0 | 1.6 | 6.2 | 0.25 | 18 | - | A | |
| 1719838-1 | C | | CuSn0.15 | CuNi3Si1Mg | TIN PLATED verzinkt | GOLD PLATED vergoldet | >1-2.5 | 3.6 | 3.8 | 1.7 | 4.9 | 5.1 | 2.6 | 3.5 | 1.6 | 6.7 | 0.5 | 18.5 | - | A | | |
| 1719840-3 | C | | CuSn0.15 | CuNi3Si1Mg | TIN PLATED verzinkt | SILVER PLATED versilbert | >1-2.5 | 3.6 | 3.8 | 1.7 | 4.9 | 5.1 | 2.6 | 3.5 | 1.6 | 6.7 | 0.5 | 18.5 | - | A | | |
| 1719840-1 | C | | CuSn0.15 | CuNi3Si1Mg | TIN PLATED verzinkt | GOLD PLATED vergoldet | >1-2.5 | 3.6 | 3.8 | 1.7 | 4.9 | 5.1 | 2.6 | 3.5 | 1.6 | 6.7 | 0.5 | 18.5 | - | A | | |
| 1718475-3 | E | CuSn0.15 | CuNi3Si1Mg | TIN PLATED verzinkt | SILVER PLATED versilbert | >2.5-4 | 4.5 | 4.7 | 2.3 | 5.8 | 6.0 | 3.3 | 4.3 | 1.9 | 8.1 | 0.8 | 19 | - | C | | | |
| 1718475-1 | E | CuSn0.15 | CuNi3Si1Mg | TIN PLATED verzinkt | GOLD PLATED vergoldet | >2.5-4 | 4.5 | 4.7 | 2.3 | 5.8 | 6.0 | 3.3 | 4.3 | 1.9 | 8.1 | 0.8 | 19 | - | C | | | |



Einzeldichtungssystem SINGLE WIRE SEALING SYSTEM



Crimpausfuehrung D CRIMP DESIGN D Crimpausfuehrung E CRIMP DESIGN E



STANDARD CRIMP



THIS DRAWING IS A CONTROLLED DOCUMENT. DWG No. 15FEB2006

DIMENSIONS: mm

TOLERANCES UNLESS OTHERWISE SPECIFIED:

| | |
|--------|-------------------------|
| 0 PLC | ±0.3 |
| 1 PLC | ±0.2 |
| 2 PLC | ±0.1 |
| 3 PLC | ±0.05 |
| 4 PLC | ±0.02 |
| ANGLES | ±0.1° |
| FINISH | see table siehe Tabelle |

MATERIAL: see table siehe Tabelle

WEIGHT: 0.58 g

Customer Drawing

SCALE: 10:1 SHEET 1 OF 1

TE Connectivity

MCON 2.8

PRODUCT GROUP DRAWING RECEPTACLE

Produktgruppenzeichnung Kontaktbuchse

SIZE: 114-18718

DRAWING NO: 00779

DATE: 1719797

REV: B9

X-ON Electronics

Largest Supplier of Electrical and Electronic Components

Click to view similar products for [Automotive Connectors](#) category:

Click to view products by [TE Connectivity](#) manufacturer:

Other Similar products are found below :

[003-018-000](#) [60403001](#) [60993906-B](#) [M902-2131](#) [M902-2161](#) [72.330.1035.1](#) [73.353.4028.0](#) [F119300-B](#) [F166900](#) [F258300-B](#) [F358300-B](#)
[F407400](#) [F444110](#) [F487000](#) [F509500B-B](#) [827153-1](#) [8N1515-32-24P](#) [9-1326729-8](#) [925474-1](#) [928905-1](#) [964562-4](#) [968782-1](#) [GT17SA-8DS-](#)
[HU](#) [98891-1012](#) [98947-1016](#) [12004147](#) [12004475-L](#) [12010290](#) [12010309-B](#) [12015454](#) [12020219-B](#) [12020308](#) [12041318-B](#) [12052225-L](#)
[12052466](#) [12059125](#) [12064869](#) [12004327-B](#) [12010503-B](#) [12015308](#) [12015384](#) [12015909](#) [1-21030-1](#) [12041254](#) [12041318](#) [12047946-B](#)
[12047957](#) [12047957-L](#) [12059473](#) [12066261](#)